

CONFIRM DIRECTION AND SOURCE WITH UTILITY COMPANY, TELEPHONE/CABLE PROVIDER

SITE LIGHTING FIXTURE SCHEDULE				
TYPE	FIXTURE		DESCRIPTION	CATALOG #
	LAMP	WATTS		
SA	LED 5000K 12463L	123W	LED POLE MOUNTED SITE LIGHTING, IES TYPE 4, 208V.	HUBBELL ASL-A-16L-5K-210-4-U
SB	LED 5000K 6304L	62W	LED POLE MOUNTED SITE LIGHTING, IES TYPE 2, 208V.	HUBBELL ASL-A-8L-5K-210-2-U
SC	LED 5000K 6139L	62W	LED POLE MOUNTED SITE LIGHTING, IES TYPE 3, 208V.	HUBBELL ASL-A-8L-5K-210-3-U
SE	LED 3000K -L	43W	LED ROUND BOLLARD, 24 LEDS, SYMMETRIC DISTRIBUTION, 120V.	SPAULDING FN2-24LU-3K-Q
SF	LED -K -L	25W	OUTDOOR GROUND LIGHT, KNUCKLE MOUNTING, 120V	SPAULDING APF1-K-10L-5K-07-W-U-DB-S-302

SITE LIGHTING FIXTURE SCHEDULE NOTES:

- THE E.C. SHALL COORDINATE ALL COLORS, FINISHES, LENGTHS, AND TRIMS OF LIGHT FIXTURES WITH ARCHITECTURAL REFLECTED CEILING PLANS, EXISTING CONDITIONS, ETC. AND INCLUDE APPROPRIATE TRIM (LAY-IN, DRYWALL, ETC.) IN BASE BID. SUBMISSION OF SHOP DRAWINGS WILL BE INTERPRETED THAT THIS COORDINATION WITH THE ARCHITECT HAS BEEN COMPLETED AND NO ADDITIONAL COMPENSATION WILL BE ALLOWED DUE TO THE LACK OF THIS COORDINATION.

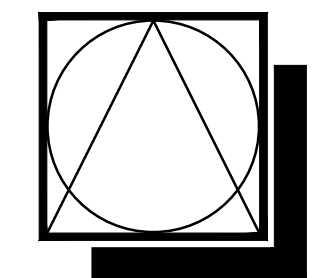
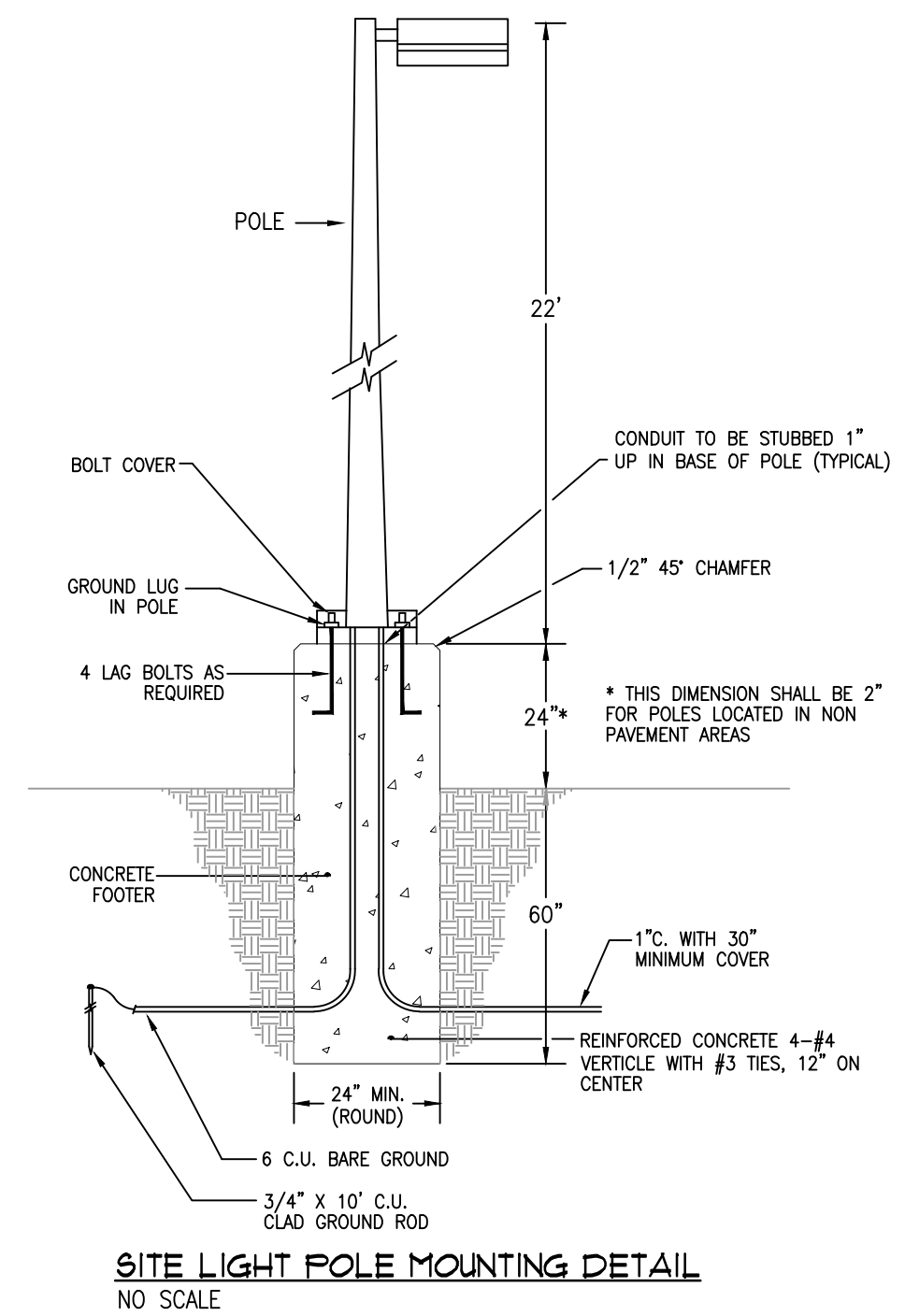
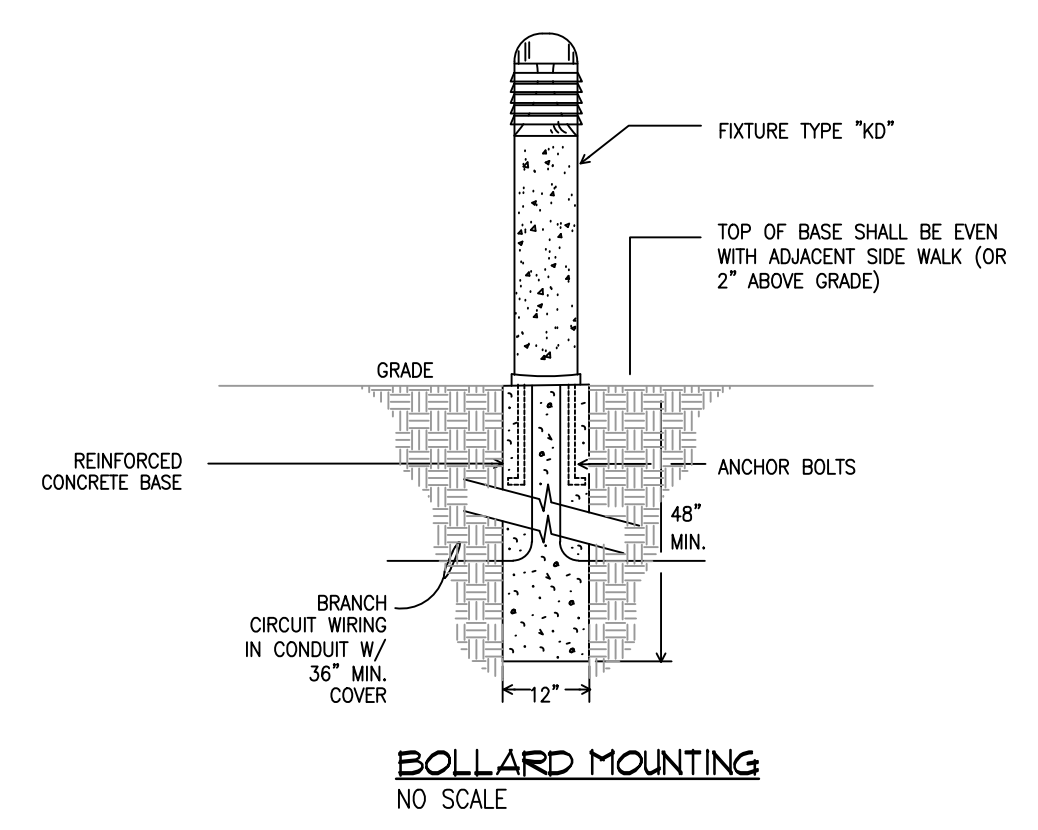
SITE ELECTRICAL PLAN CODED NOTES:

- PROVIDE AND INSTALL (2) 4" PVC SCH.40 CONDUITS WITH PULLWIRE, 42" BELOW FINISHED GRADE, PER UTILITY COMPANY SPECIFICATIONS, FOR HIGH VOLTAGE CABLE WITH 36" ELBOWS AT ALL 90° BENDS. TERMINATE CONDUIT AT LOCATION DETERMINED BY UTILITY COMPANY.
- PROVIDE TRANSFORMER PAD PER UTILITY COMPANY SPECIFICATIONS. PROVIDE LUGS ON TRANSFORMER SECONDARY TERMINATIONS FOR INDICATED CONDUCTORS. CONFIRM LOCATION AND TRANSFORMER WITH UTILITY COMPANY.
- PROVIDE AND INSTALL (1) 4" PVC SCH.40 CONDUIT WITH PULLWIRE, 36" BELOW FINISHED GRADE, PER TELEPHONE COMPANY SPECIFICATIONS. TERMINATE CONDUIT AT LOCATION DETERMINED BY TELEPHONE COMPANY.
- PROVIDE AND INSTALL (1) 4" PVC SCH.40 CONDUIT WITH PULLWIRE, 36" BELOW FINISHED GRADE, PER CABLE COMPANY SPECIFICATIONS. TERMINATE CONDUIT AT LOCATION DETERMINED BY CABLE COMPANY.
- PROVIDE 1600 AMP/3 POLE NEMA 3R SERVICE ENTRANCE SWITCH WITH 1600 AMP U.L. CLASS L FUSES.
- STAND-BY GENERATOR. KOPHLET MODEL 180RE02JG WITH A 4S13X ALTERNATOR OR EQUIVALENT BY CATERPILLAR OR ONAN. TO PROVIDE 180KW, 225 KVA WHEN OPERATING AT 120/208V, 1.0 POWER FACTOR. THE GENERATOR SET SHALL BE CAPABLE OF THIS RATING WHILE OPERATING IN AN AMBIENT CONDITION OF 85F AND 1000 FEET ABOVE SEA LEVEL. SEE M0.05 FOR MORE SPECIFICATIONS. SEE DRAWING E0.4, SINGLE LINE DIAGRAM.
- APPROXIMATE LOCATION OF LCP AND PANEL C.
- PROVIDE 1" CONDUIT WITH PULLWIRE FOR FUTURE GROUND MOUNTED SIGN LIGHTS.
- 2#12AWG 1#12AWG(G) IN 3/4" TO PANEL C, 25, VIA LIGHTING CONTROL PANEL.
- 2#1AWG, 1#12AWG(G) IN 3/4" TO LIGHTING CONTROL PANEL.

SITE ELECTRICAL PLAN GENERAL NOTES:

- ELECTRICAL CONTRACTOR SHALL COORDINATE NEW UNDERGROUND CONDUITS WITH OTHER UTILITIES: GAS, WATER, SEWER, SANITARY AND STORM SEWER.
- ELECTRICAL CONTRACTOR SHALL ROUTE CONDUITS AND CONDUIT DEPTHS TO AVOID OTHER UTILITIES.

SITE LIGHTING PLAN
SCALE: 1" = 30'-0"



DSC ARCHITECTS
401 FRONT STREET
BEREA, OHIO 44017
PHONE: 440.835.3957
mail@dscarchitects.com

DATE: 03/11/24
PRICING SET:

NEW 90 BED SKILLED NURSING FACILITY
 SMITH MOUNTAIN LAKE HEALTH & REHAB CENTER
 STATE RTE 616
 MONETA, FRANKLIN COUNTY, VIRGINIA

PRELIMINARY
NOT FOR CONSTRUCTION

DSCA PROJECT NO. 23.046

