

DSC ARCHITECTS
 401 FRONT STREET
 BEREA, OHIO 44017
 PHONE: 440.835.3957
 mail@dscarchitects.com

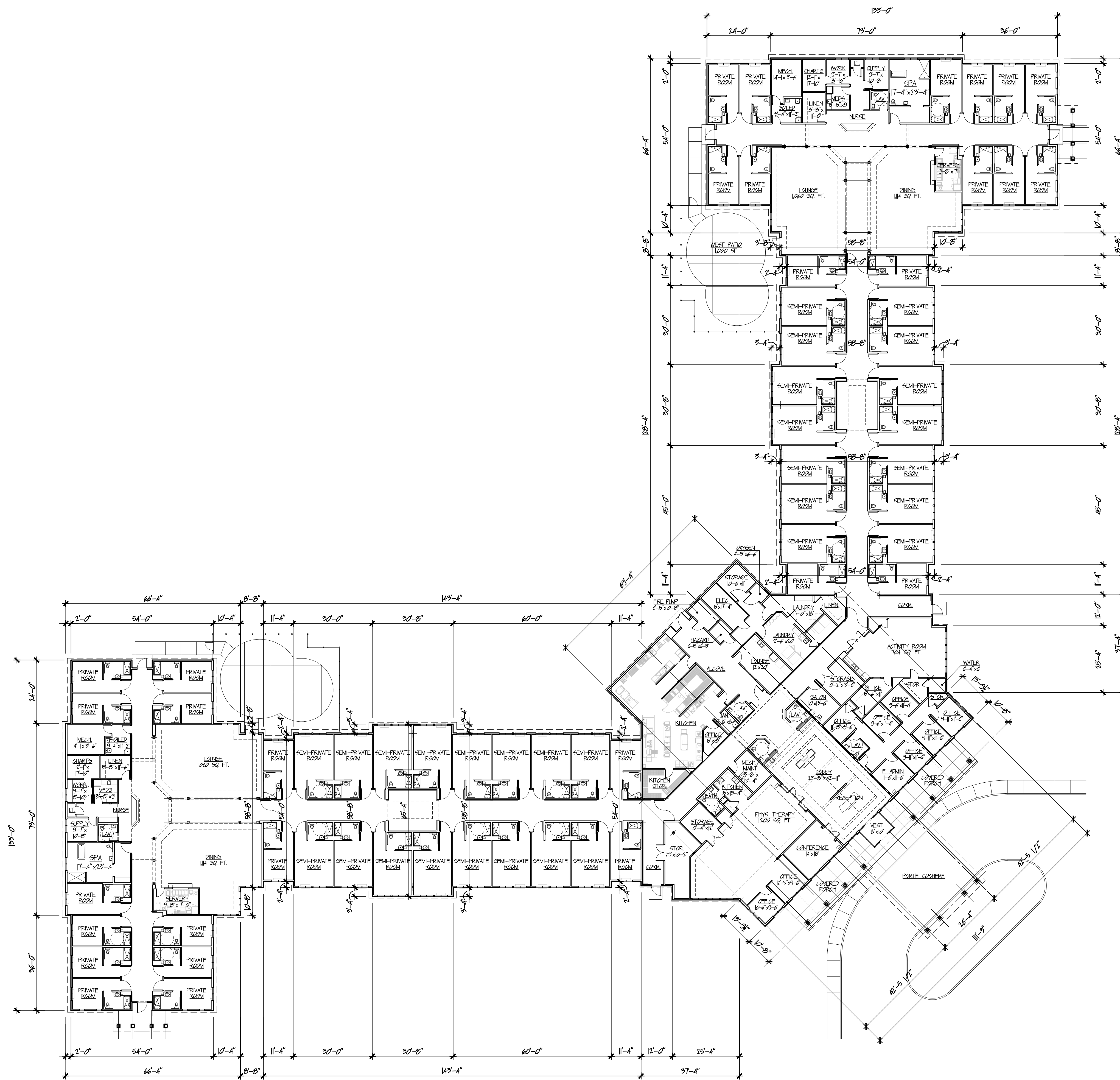
DATE:
 PRICING: 03/11/24

NEW 90 BED SKILLED NURSING FACILITY
SMITH MOUNTAIN LAKE HEALTH & REHAB CENTER
 STATE RTE 616
 MONETA, FRANKLIN COUNTY, VIRGINIA

PRELIMINARY
 NOT FOR CONSTRUCTION

DSCA PROJECT NO.
 23.046

A1.01

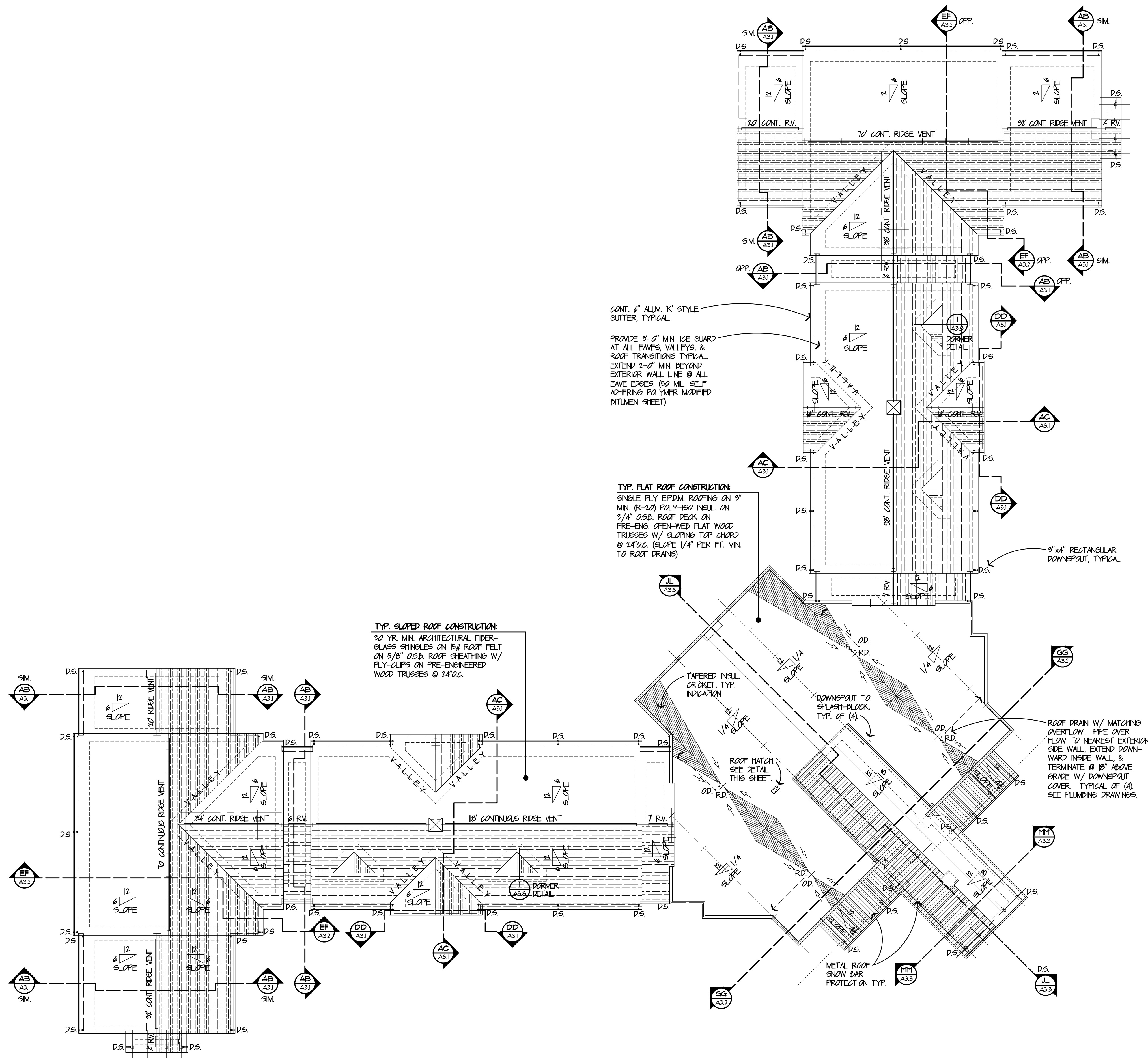


OVERALL FLOOR PLAN

SCALE: 1/16" = 1'-0"



ROOM COUNT SUMMARY		
30 PRIVATE ROOMS	- 28	• 225 sf
	- 2	• 249 sf
30 SEMI-PRIVATE ROOMS	- 22	• 326 sf
	- 8	• 336 sf
90 TOTAL BEDS		

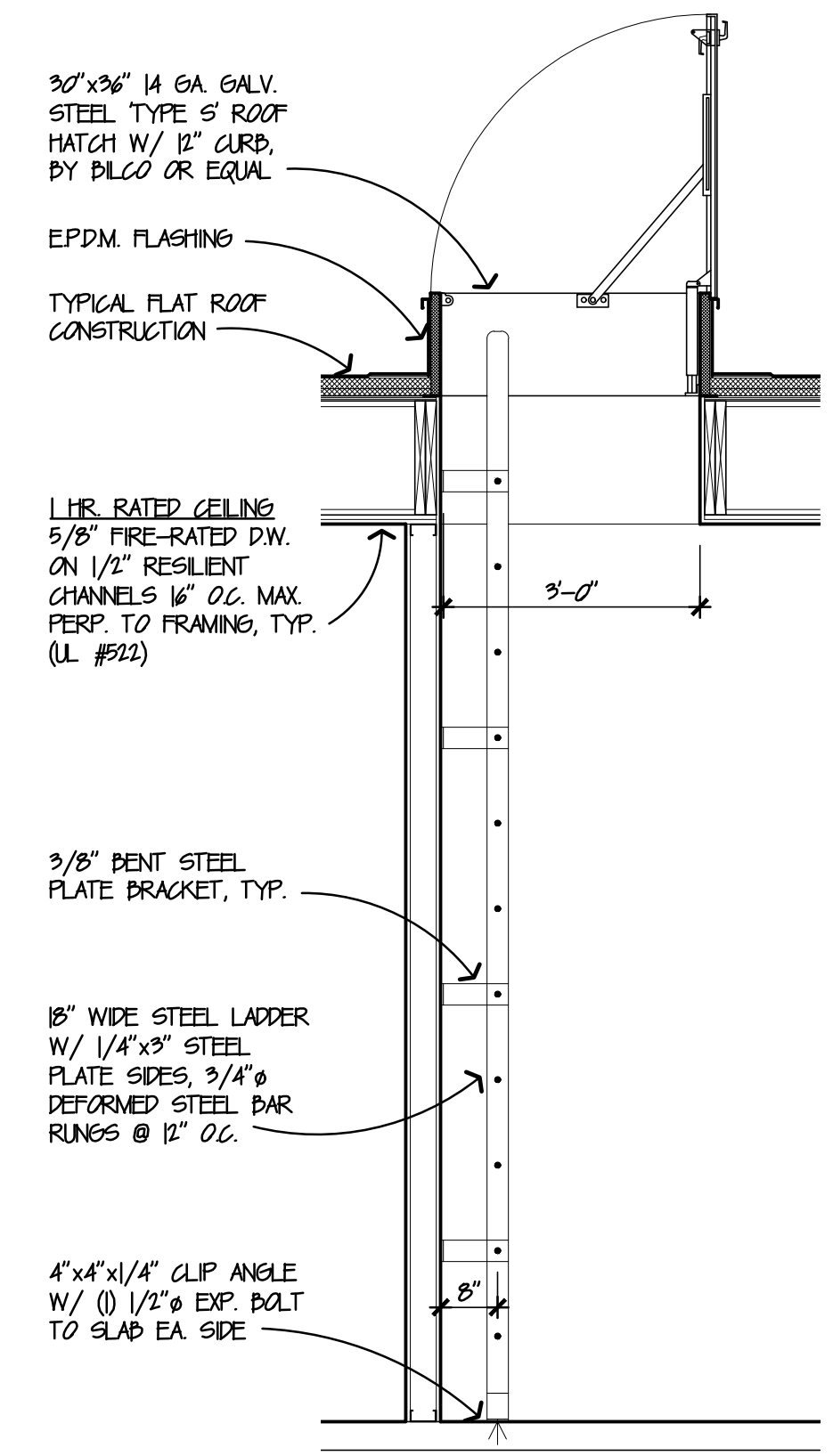


CONT. 6" ALUM. K' STYLE GUTTER, TYPICAL

PROVIDE 3'-0" MIN. ICE GUARD AT ALL EAVES, VALLEYS, & ROOF TRANSITIONS TYPICAL. EXTEND 2'-0" MIN. BEYOND EXTERIOR WALL LINE @ ALL EAVE EDGES. (50 MIL. SELF ADHERING POLYMER MODIFIED BITUMEN SHEET)

TYP. FLAT ROOF CONSTRUCTION:
 SINGLE PLY EPDM ROOFING ON 3" MIN. (R-20) POLY-ISO INSUL ON 3/4" OSB ROOF DECK ON PRE-ENG. OPEN-WEB FLAT WOOD TRUSSES W/ SLOPING TOP CHORD @ 24" O.C. (SLOPE 1/4" PER FT. MIN. TO ROOF DRAINS)

TYP. SLOPED ROOF CONSTRUCTION:
 30 YR. MIN. ARCHITECTURAL FIBER-GLASS SHINGLES ON 1# ROOF FELT ON 5/8" OSB ROOF SHEATHING W/ FLY-CLIPS ON PRE-ENGINEERED WOOD TRUSSES @ 24" O.C.



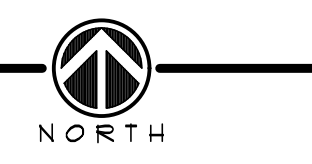
A10 ROOF HATCH & LADDER
 SCALE: 1/2" = 1'-0"

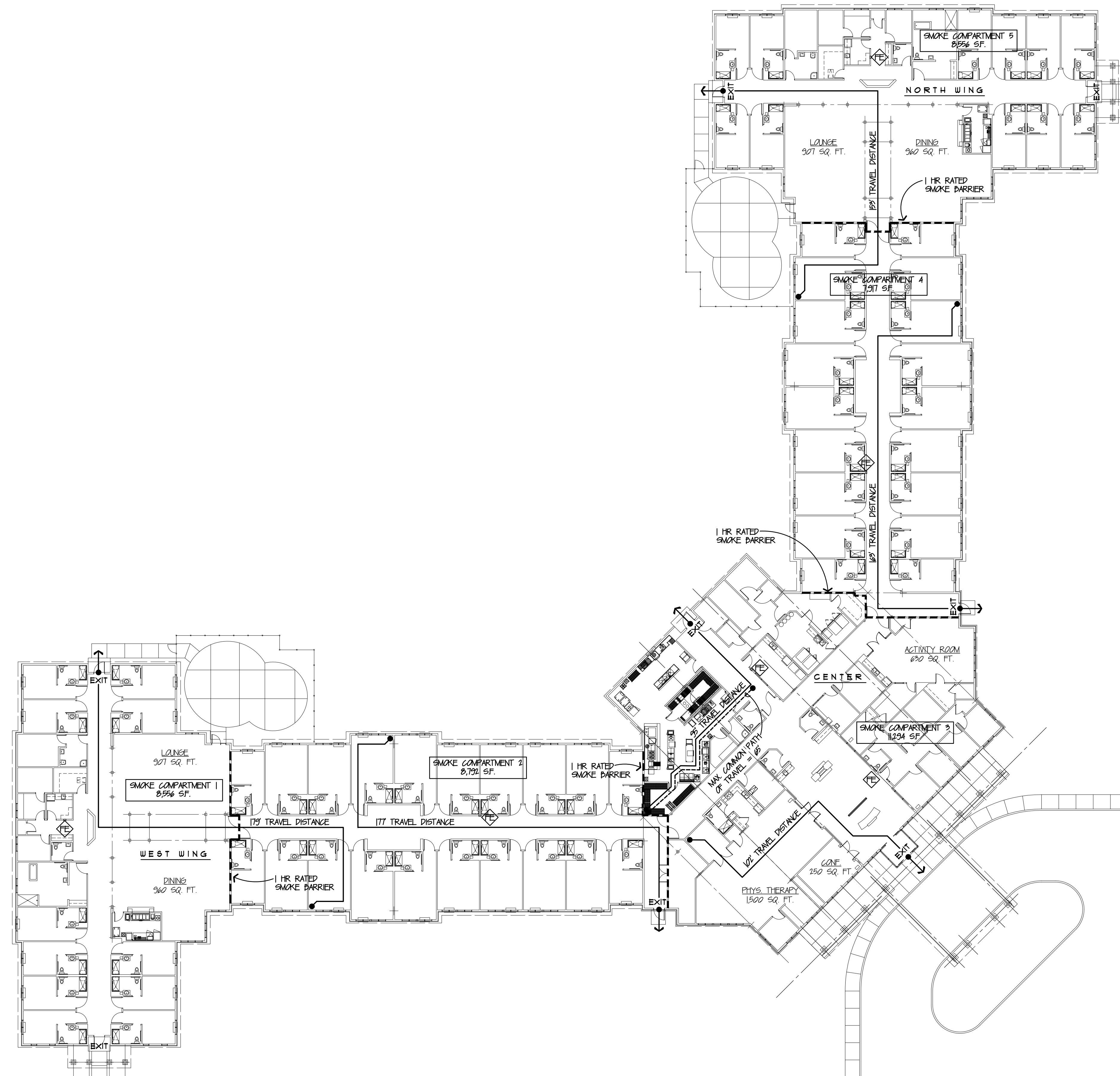
ROOF VENTILATION NOTES

- 1/200 VENTILATION AREA REQUIRED PER VCC 12012
- CONTINUOUS RIDGE VENT W/ 1630 SQ. IN. PER LINEAR FOOT (117 SQ. FT.). SHINGLED COBRA RIDGE VENT BY GAF OR EQUAL
- 12" WIDE TRIPLE 4" FULLY VENTED SOFFIT W/ MIN. 57 SQ. IN. (240 SQ. FT.) NET FREE VENTILATION AREA PER LINEAR FOOT.
- VENTILATION AREA REQUIRED**
 NORTH WING ATTIC:
 ROOF AREA = 14,799 SQ. FT.
 VENT AREA REQUIRED (1/200) = 4918 SQ. FT.
 EAST WING ATTIC:
 ROOF AREA = 14,799 SQ. FT.
 VENT AREA REQUIRED (1/200) = 4918 SQ. FT.
- VENTILATION AREA PROVIDED**
 NORTH WING ATTIC:
 SOFFIT VENT PROVIDED (56825 SQ. FT. X .040) = 2279 SQ. FT.
 RIDGE VENT PROVIDED = (284 LIN. FT. X 117) = 33225 SQ. FT.
 TOTAL VENT AREA PROVIDED = 35504 SQ. FT.
 EAST WING ATTIC:
 SOFFIT VENT PROVIDED (56825 SQ. FT. X .040) = 2279 SQ. FT.
 RIDGE VENT PROVIDED = (284 LIN. FT. X 117) = 33225 SQ. FT.
 TOTAL VENT AREA PROVIDED = 35504 SQ. FT.

ROOF PLAN
 SCALE: 1" = 10'

NOTE:
 PER VCC 716.4 EXCEPTION DRAFTSTOPPING IS NOT REQUIRED IN BUILDINGS EQUIPPED THROUGHOUT WITH AN AUTOMATIC SPRINKLER SYSTEM IN ACCORDANCE WITH VCC 909.3.11



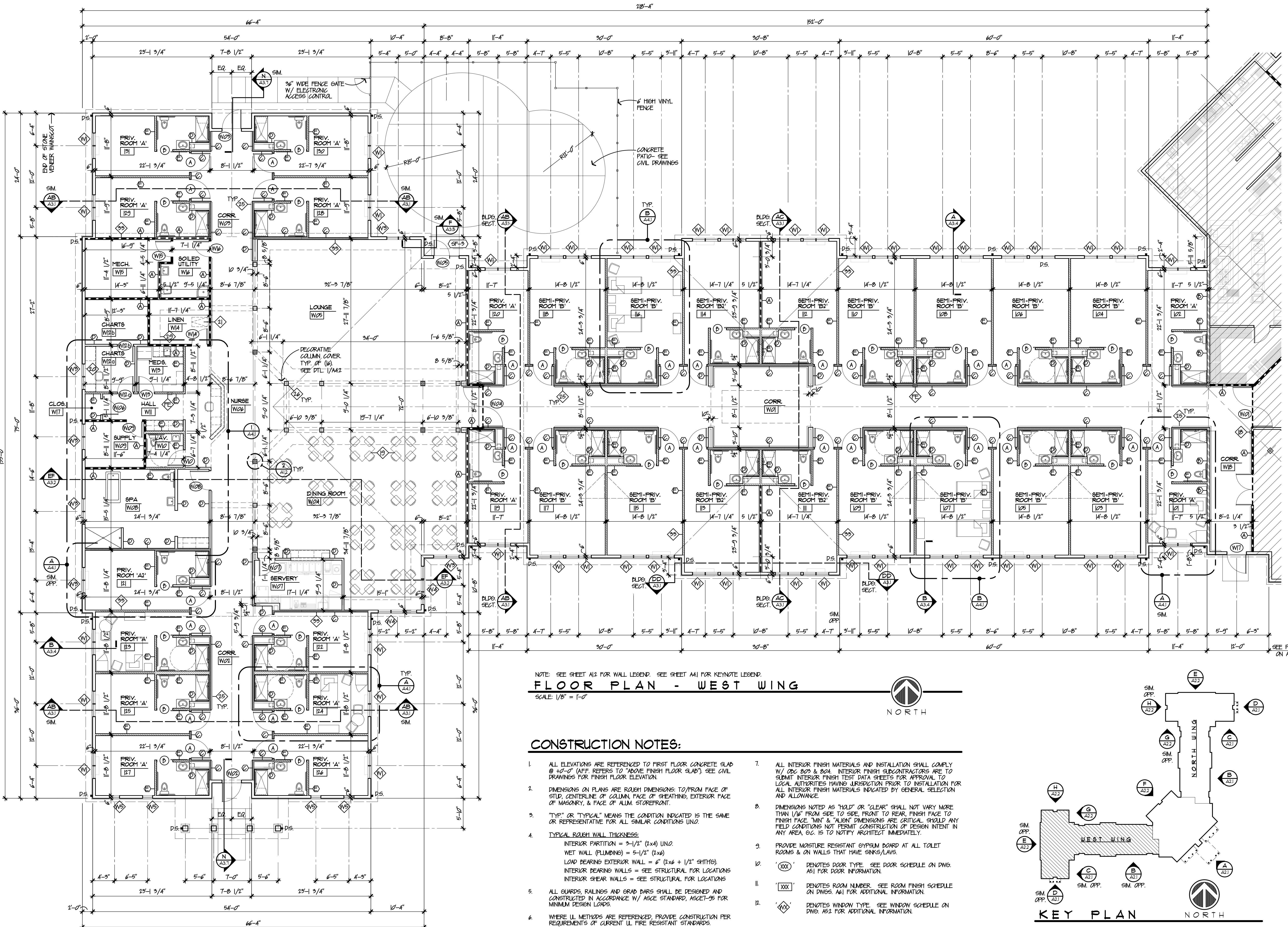


CODE INFORMATION

- BUILDING VCC USE GROUP: 1-2 NURSING HOME
- VCC CONSTRUCTION CLASSIFICATION: V-A FULLY SPRINKLERED
- GENERAL BUILDING LIMITATIONS
 BUILDING HEIGHT PER VCC TABLE 504.3: 50'
 STORIES PER VCC TABLE 504.4: 1
 ALLOWABLE AREA PER VCC 506.2: 49,125 SF.
 $A_0 = A_1 + (N_5 \times 11)$
 $28,000 + (3,500 \times (1.705 / (1.705 - 0.15) \times 1.90))$
 = 49,125 SF.
- BUILDING STATISTICS
 STORIES: 1
 BUILDING HEIGHT: 28'
 BUILDING AREA: 49,116 SF.
- SUMMARY OF FIRE RESISTANCE RATINGS OF STRUCTURAL ELEMENTS IN V-A CONSTRUCTION PER TABLE 601 OF THE VCC AS FOLLOWS:
 STRUCTURAL FRAME: 1 HR. RATING REQUIRED
 BEARING WALLS: 1 HR. RATING REQUIRED
 NON BEARING WALLS: 0 HR. RATING REQUIRED
 FLOOR CONSTRUCTION: 1 HR. RATING REQUIRED
 ROOF CONSTRUCTION: 1 HR. RATING REQUIRED
- OCCUPANT LOAD (PER VCC TABLE 1004.5)
 SLEEPING: 16,658 SF. / 110 = 151
 INPATIENT AREAS: 7,530 SF. / 240 = 31
 OUTPATIENT AREAS: 2,331 SF. / 100 = 23
 BUSINESS AREAS: 2,007 SF. / 150 = 13
 KITCHEN: 1,845 SF. / 200 = 9
 ACCESSORY AREAS: 1,460 SF. / 300 = 5
 TOTAL: = 217 OCCUPANTS
- MAXIMUM EXIT ACCESS TRAVEL DISTANCE PER VCC TABLE 1012
 REQUIRED: 220 FT. MAX.
 PROVIDED: 179 FT.
- MAXIMUM COMMON PATH OF TRAVEL PER VCC SECTION 1006.2.1
 REQUIRED: 75 FT.
 PROVIDED: 65 FT.
- ALL WORK TO CONFORM TO THE LATEST EDITION OF THE VIRGINIA CONSTRUCTION CODE (VCC) AND OTHER APPLICABLE NATIONAL, STATE AND LOCAL CODES.
- BUILDING IS FULLY SPRINKLERED. STATE OF VIRGINIA LICENSED DESIGN PROFESSIONAL SHALL BE RESPONSIBLE FOR PLAN PREPARATION, SUBMITTAL AND OBTAINING APPROVALS FOR FIRE SUPPRESSION SYSTEM IN ACCORDANCE WITH VCC 909.3.

OVERALL EGRESS PLAN
 SCALE: 1/16" = 1'-0"



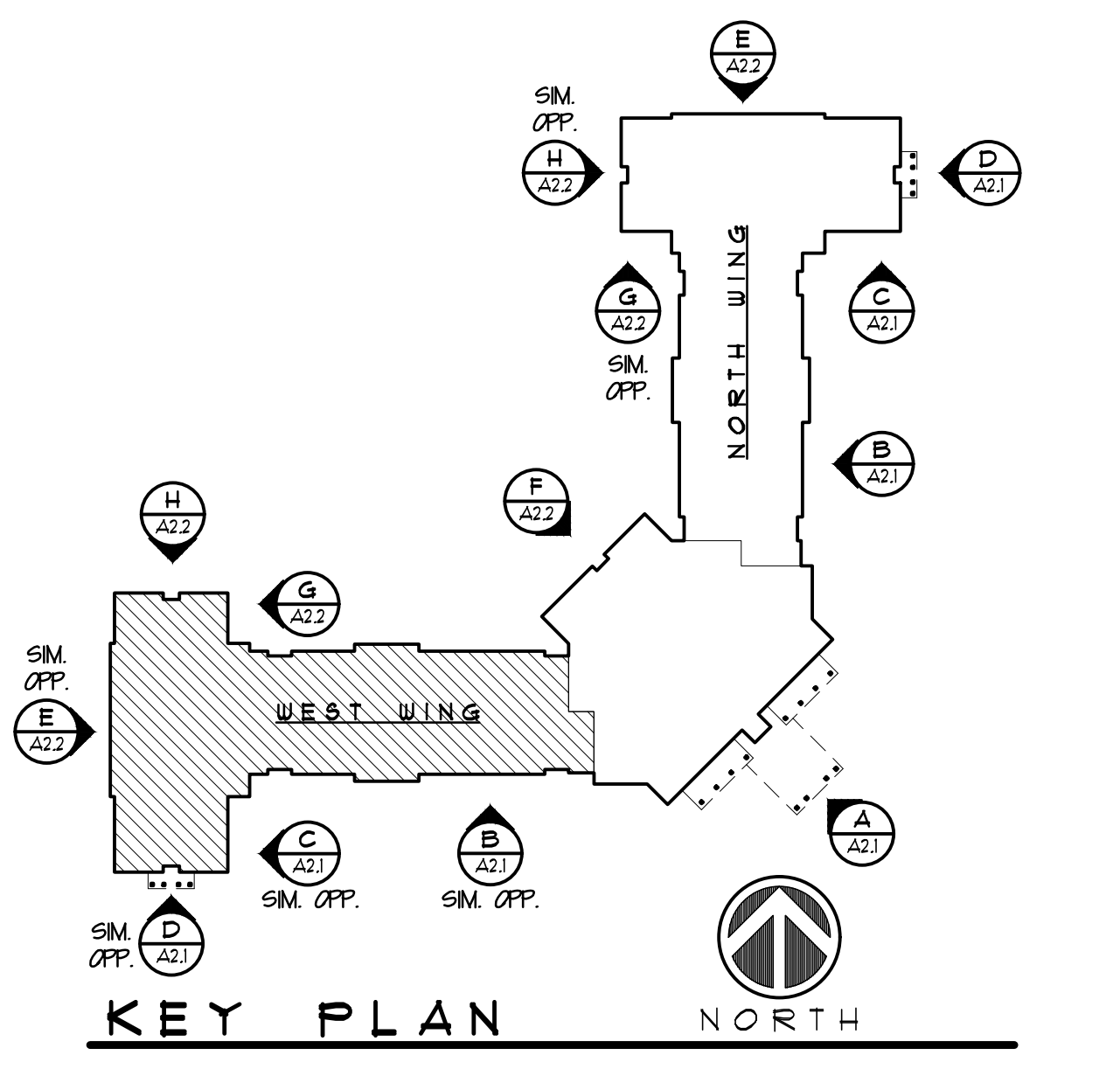


NOTE: SEE SHEET A12 FOR WALL LEGEND. SEE SHEET A41 FOR KEYNOTE LEGEND.
FLOOR PLAN - WEST WING
 SCALE: 1/8" = 1'-0"

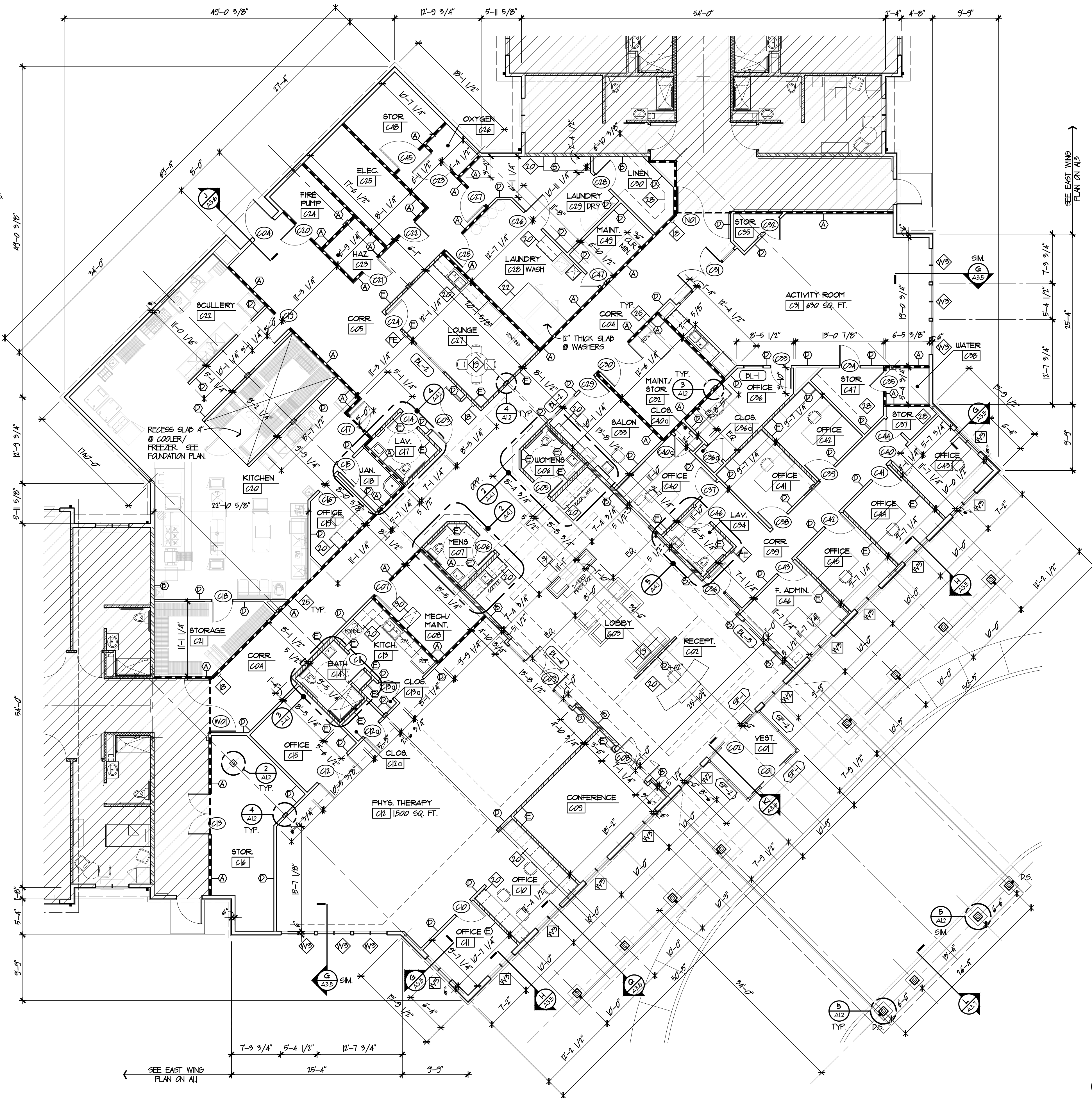
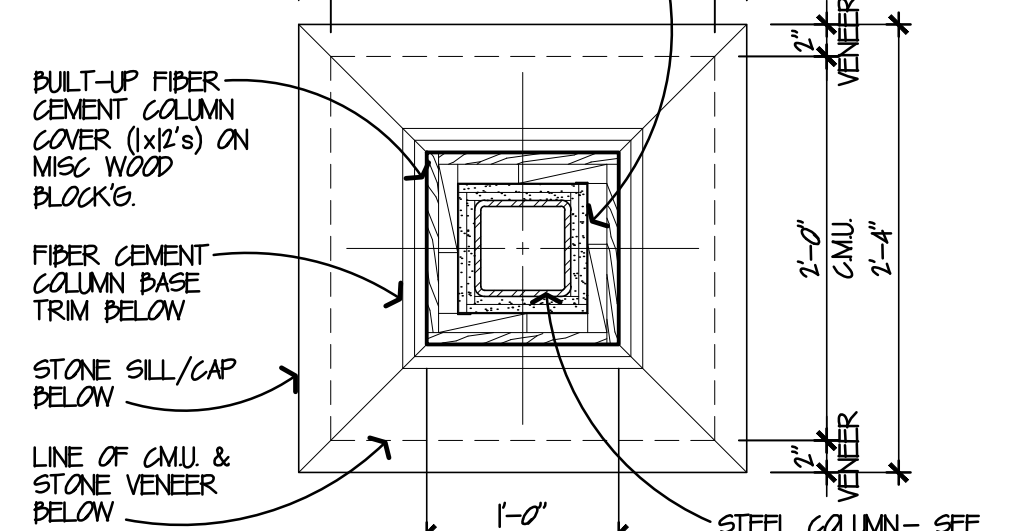
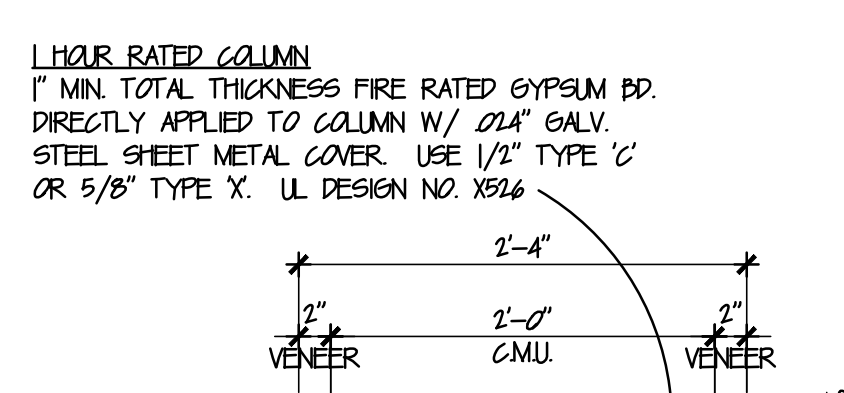
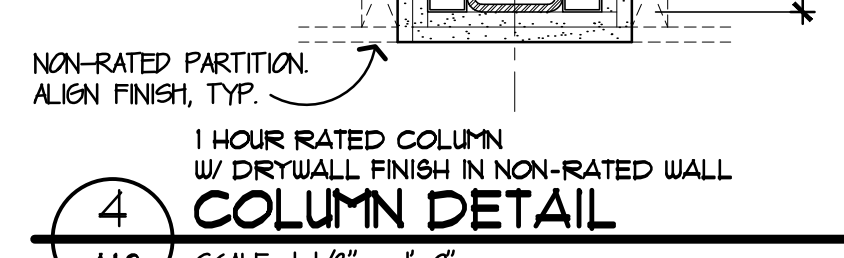
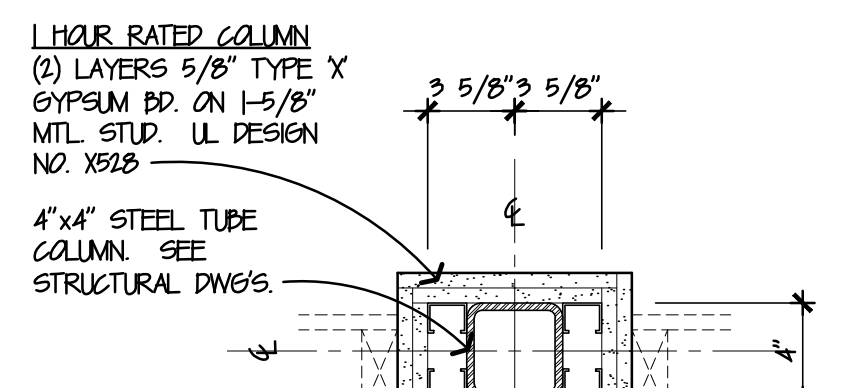
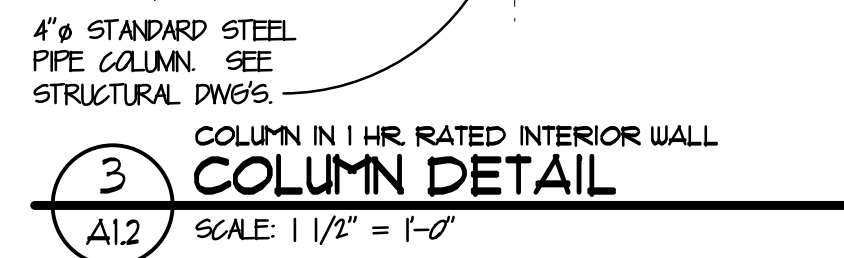
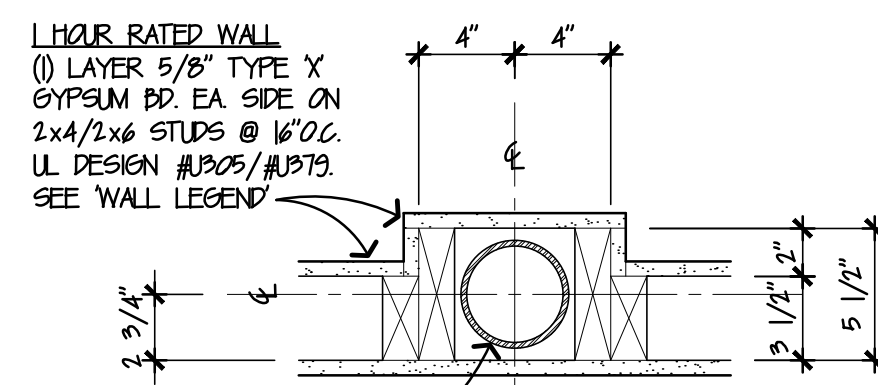
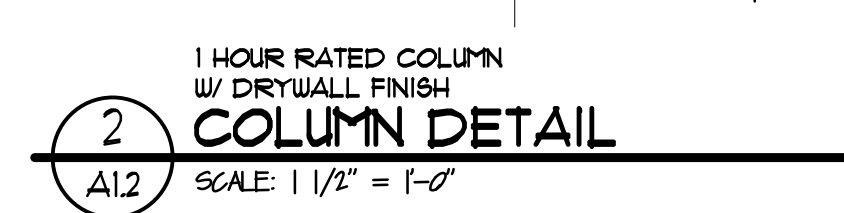
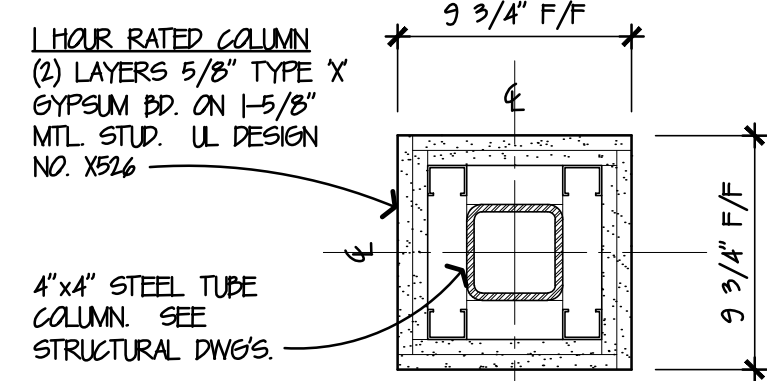
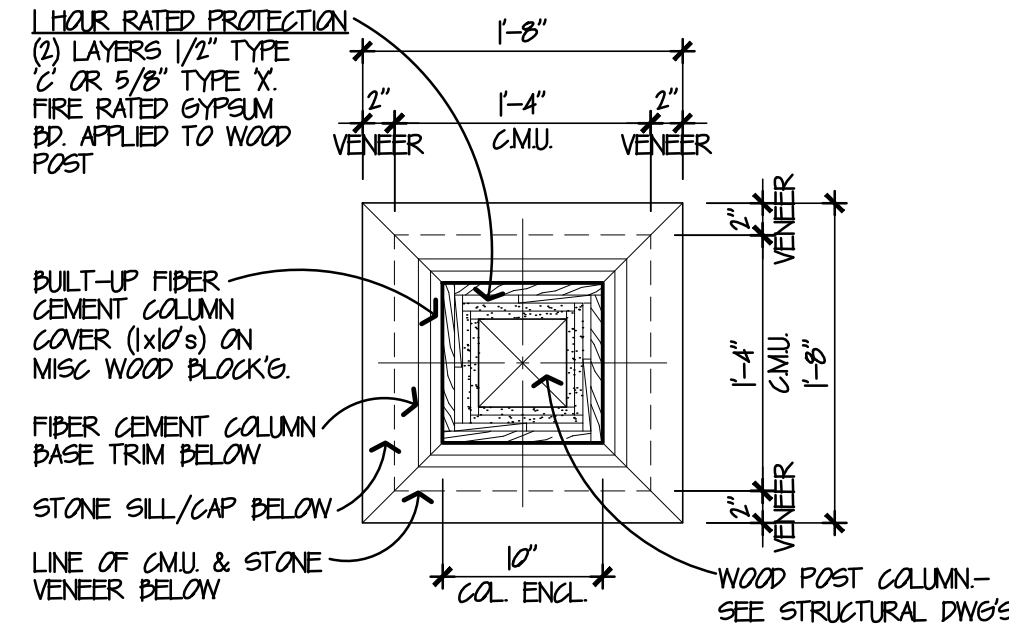


CONSTRUCTION NOTES:

- ALL ELEVATIONS ARE REFERENCED TO FIRST FLOOR CONCRETE SLAB @ +0'-0" (AFF. REFERS TO "ABOVE FINISH FLOOR SLAB"). SEE CIVIL DRAWINGS FOR FINISH FLOOR ELEVATION.
- DIMENSIONS ON PLANS ARE ROUGH DIMENSIONS: TO/FROM FACE OF STUD, CENTERLINE OF COLUMN, FACE OF SHEATHING, EXTERIOR FACE OF MASONRY, & FACE OF ALUM. STOREFRONT.
- "TYP." OR "TYPICAL" MEANS THE CONDITION INDICATED IS THE SAME OR REPRESENTATIVE FOR ALL SIMILAR CONDITIONS UNO.
- TYPICAL ROUGH WALL THICKNESS:**
 INTERIOR PARTITION = 3/2" (2x4) UNO
 WET WALL (PLUMBING) = 5-1/2" (2x6)
 LOAD BEARING EXTERIOR WALL = 6" (2x6 + 1/2" SHIMS)
 INTERIOR BEARING WALLS = SEE STRUCTURAL FOR LOCATIONS
 INTERIOR SHEAR WALLS = SEE STRUCTURAL FOR LOCATIONS
- ALL GUARDS, RAILINGS AND GRAB BARS SHALL BE DESIGNED AND CONSTRUCTED IN ACCORDANCE W/ ASCE STANDARD, ASCE1-95 FOR MINIMUM DESIGN LOADS.
- WHERE UL METHODS ARE REFERENCED, PROVIDE CONSTRUCTION PER REQUIREMENTS OF CURRENT UL FIRE RESISTANT STANDARDS.
- ALL INTERIOR FINISH MATERIALS AND INSTALLATION SHALL COMPLY W/ DBC 803 & 804. INTERIOR FINISH SUBCONTRACTORS ARE TO SUBMIT INTERIOR FINISH TEST DATA SHEETS FOR APPROVAL TO LOCAL AUTHORITIES HAVING JURISDICTION PRIOR TO INSTALLATION FOR ALL INTERIOR FINISH MATERIALS INDICATED BY GENERAL SELECTION AND ALLOWANCE.
- DIMENSIONS NOTED AS "HOLD" OR "CLEAR" SHALL NOT VARY MORE THAN 1/8" FROM SIDE TO SIDE, FRONT TO REAR, FINISH FACE TO FINISH FACE. "MIN" & "MAX" DIMENSIONS ARE CRITICAL. SHOULD ANY FIELD CONDITIONS NOT PERMIT CONSTRUCTION OF DESIGN INTENT IN ANY AREA, GC IS TO NOTIFY ARCHITECT IMMEDIATELY.
- PROVIDE MOISTURE RESISTANT GYPSUM BOARD AT ALL TOILET ROOMS & ON WALLS THAT HAVE SINKS/LAVS.
- XXX DENOTES DOOR TYPE. SEE DOOR SCHEDULE ON DWG. A51 FOR DOOR INFORMATION.
- XXX DENOTES ROOM NUMBER. SEE ROOM FINISH SCHEDULE ON DWGS. A41 FOR ADDITIONAL INFORMATION.
- XXX DENOTES WINDOW TYPE. SEE WINDOW SCHEDULE ON DWG. A52 FOR ADDITIONAL INFORMATION.



PRELIMINARY
 NOT FOR CONSTRUCTION



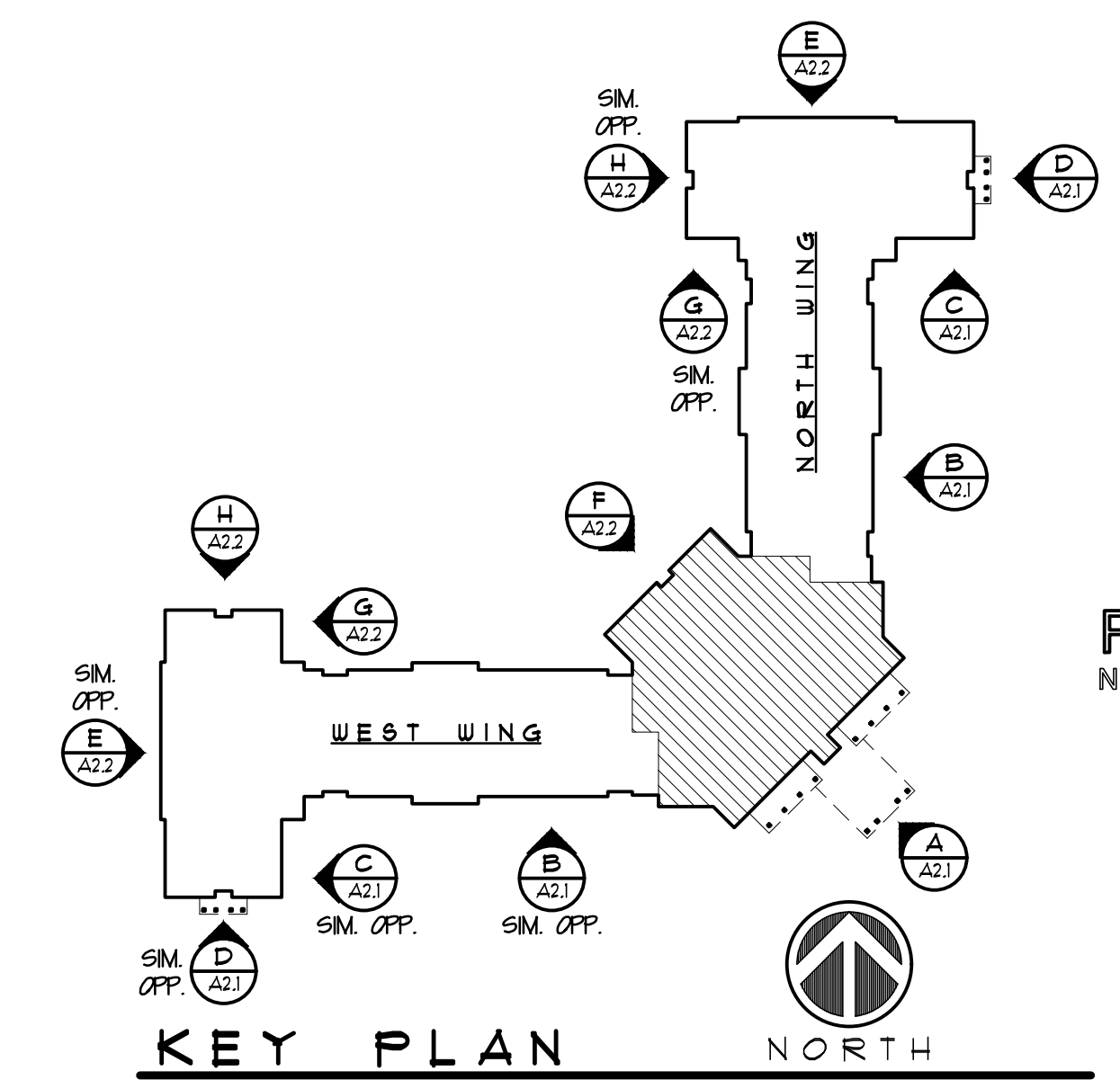
NOTE: SEE SHEET A41 FOR KEYNOTE LEGEND.
FLOOR PLAN - CENTER
 SCALE: 1/8" = 1'-0"

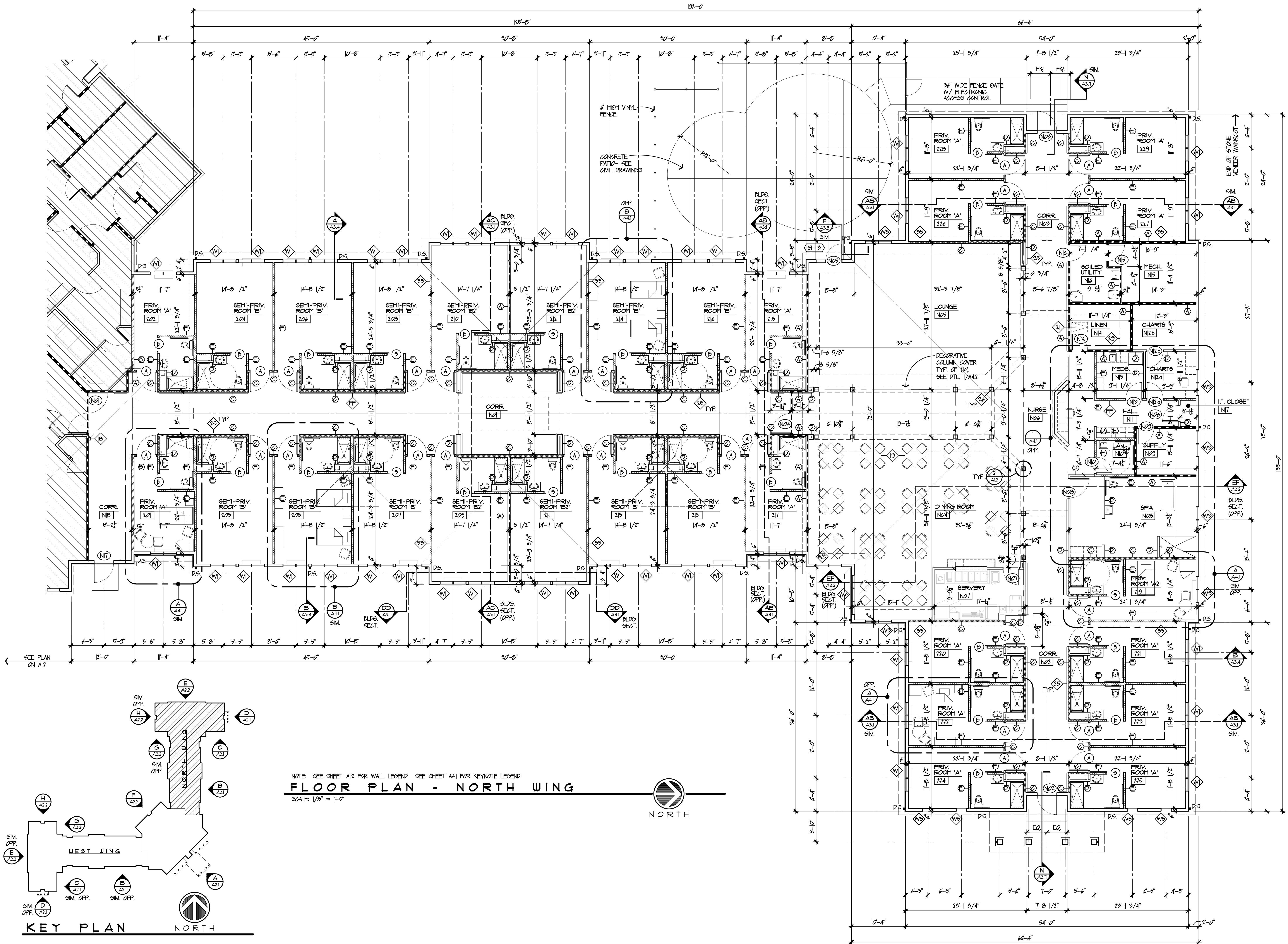
WALL LEGEND:

- PROVIDE 5/8" WATER RESISTANT CEMENTITIOUS BACKER BOARD ON ALL SHOWER WALLS SCHEDULED FOR TILE FINISH.
 - PROVIDE MOISTURE RESISTANT GYPSUM BOARD ON ALL OTHER WET WALL LOCATIONS (WATER CLOSETS, SINKS ETC.)
 - FURR OUT WALLS AS REQUIRED TO ACCOMMODATE PLUMBING.
 - PROVIDE 3-1/2" ACOUSTIC BATT INSULATION FULL HEIGHT IN STUD CAVITY AROUND RESIDENT ROOMS & RESTROOMS, TYPICAL.
- 1-HR RATED LOAD BEARING EXTERIOR WALL**
 LOAD BEARING EXTERIOR WALL CONSTRUCTION. I.L. DESIGN #A206. SEE WALL SECTIONS ON DRAWINGS A24 THRU A28.
- 1-HR RATED FIRE BARRIER/ SMOKE BARRIER**
 5/8" TYPE X GYPSUM BOARD EACH SIDE ON 2x4/2x6 WOOD STUDS @ 16" O.C. TO UNDERSIDE OF FIRE RATED CEILING/STRUCTURE ABOVE. PROVIDE 3 1/2" ACOUSTIC INSULATION FULL HEIGHT IN STUD SPACE. I.L. DESIGN #A203/#B79.
- 1-HR RATED LOAD BEARING INTERIOR WALL**
 5/8" TYPE X GYPSUM BOARD EACH SIDE ON 2x4/2x6 WOOD STUDS @ 16" O.C. TO UNDERSIDE OF FIRE RATED CEILING/STRUCTURE ABOVE. PROVIDE 3 1/2" ACOUSTIC INSULATION FULL HEIGHT IN STUD SPACE. I.L. DESIGN #A203/#B79 (SEE FLOOR PLANS).
- NON-RATED CORRIDOR SMOKE PARTITION**
 5/8" TYPE X GYP. BOARD EA. SIDE OF 2x4 WOOD STUDS @ 16" O.C. TO UNDERSIDE OF FIRE RATED CEILING. GYPSUM BOARD TO BE SEALED SMOKE TIGHT ON NON-CORRIDOR SIDE. PROVIDE 3 1/2" ACOUSTIC INSULATION FULL HEIGHT IN STUD SPACE. SEAL ALL PENETRATIONS ON NON-CORRIDOR SIDE SMOKE TIGHT.
- TYPICAL INTERIOR PARTITION**
 5/8" GYP. BOARD EA. SIDE ON 2x4 WOOD STUDS @ 16" O.C. TO UNDERSIDE OF GYP. BOARD CEILING ABOVE OR TO 6" ABOVE SUSPENDED ACOUSTIC TILE CEILING UNO. BRACE FOR STABILITY AS REQUIRED.
- TYPICAL SOUND INSULATED INTERIOR PARTITION**
 5/8" GYP. BOARD EA. SIDE OF 2x4 WOOD STUDS @ 16" O.C. TO UNDERSIDE OF GYP. BOARD CEILING ABOVE OR TO 6" ABOVE SUSPENDED ACOUSTIC TILE CEILING. PROVIDE 3 1/2" ACOUSTIC INSULATION FULL HEIGHT IN STUD SPACE. BRACE FOR STABILITY AS REQUIRED.
- FIRE EXTINGUISHER LOCATION**
 PROVIDE 5 LB. MULTI-PURPOSE DRY CHEMICAL EXTINGUISHER IN SEMI-RECESSED CABINET. LARSEN 'ARCHITECTURAL' SERIES #A03-R4 W/ SOLID DOOR & BLACK VERTICAL DIE-CUT LETTERS OR APPROVED EQUAL. VERIFY LOCATION AND QUANTITIES WITH LOCAL FIRE DEPARTMENT.

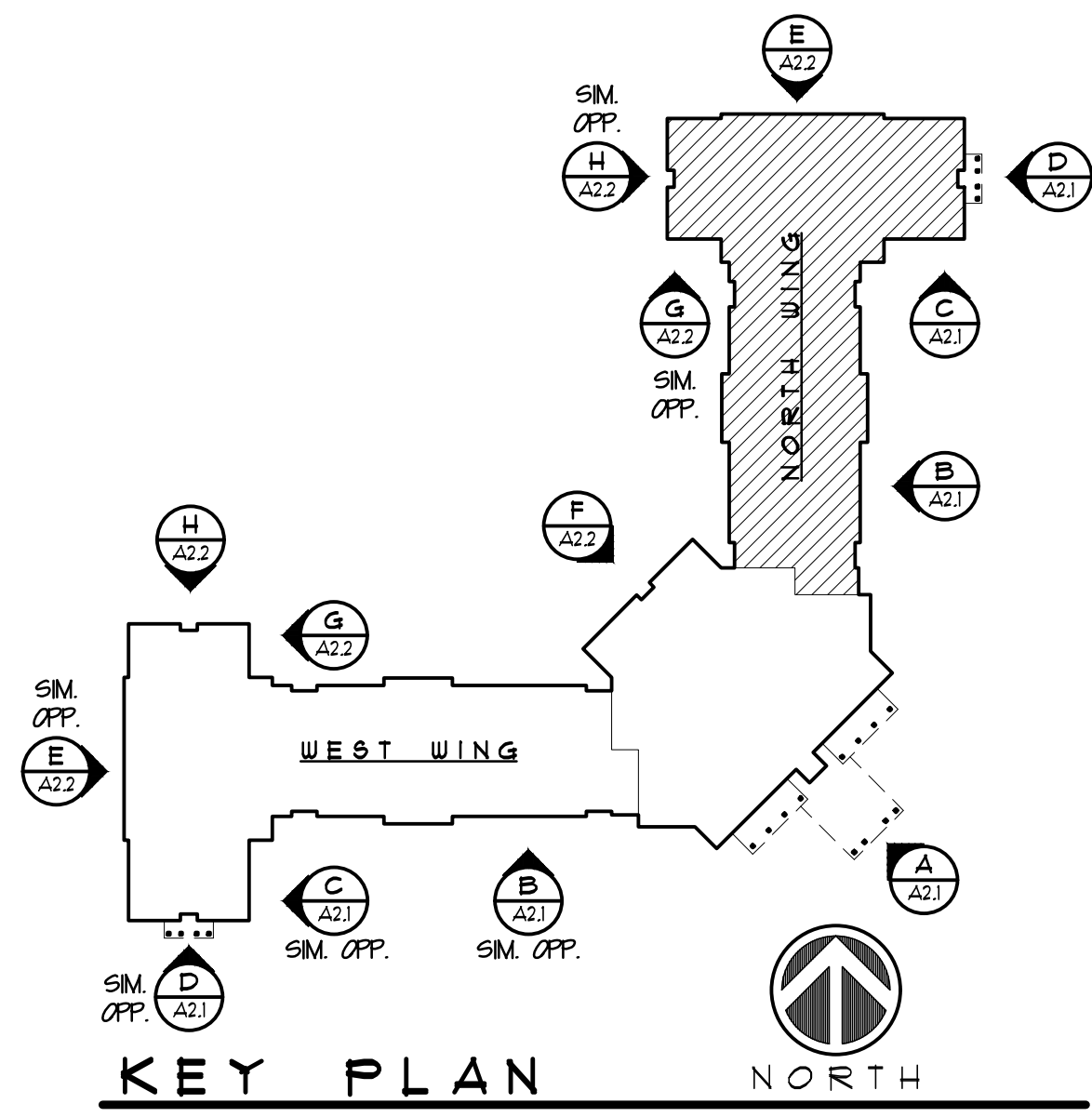
KEY NOTE LEGEND

- SEE LEGEND ON SHEET A41 FOR KEY NOTES





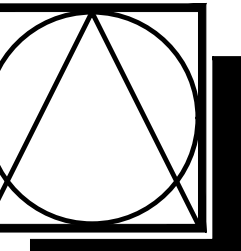
NOTE: SEE SHEET A12 FOR WALL LEGEND. SEE SHEET A41 FOR KEYNOTE LEGEND.
FLOOR PLAN - NORTH WING
 SCALE: 1/8" = 1'-0"



KEY PLAN

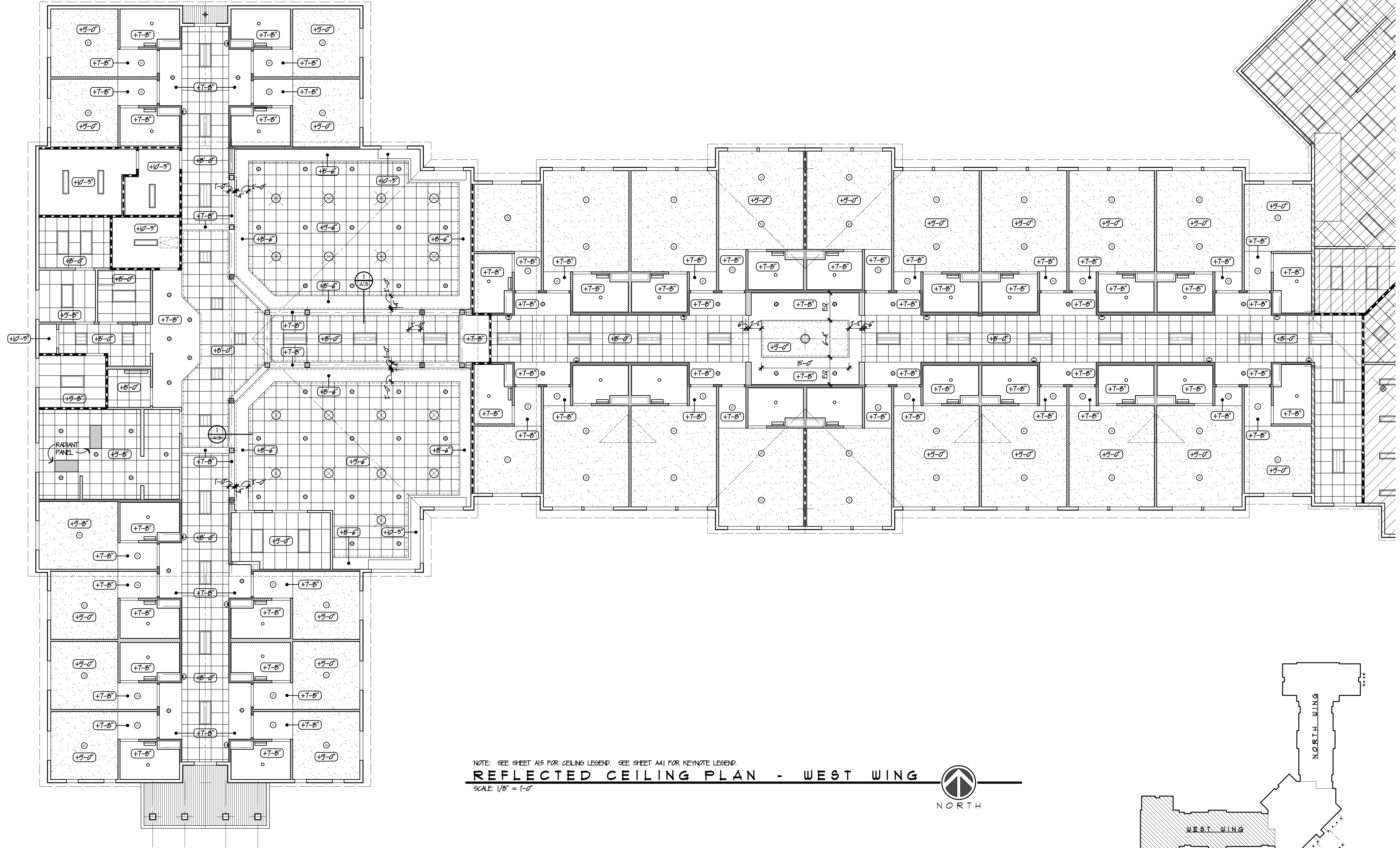
NEW 90 BED SKILLED NURSING FACILITY
SMITH MOUNTAIN LAKE HEALTH & REHAB CENTER
 STATE RTE 616
 MONETA, FRANKLIN COUNTY, VIRGINIA

PRELIMINARY
 NOT FOR CONSTRUCTION



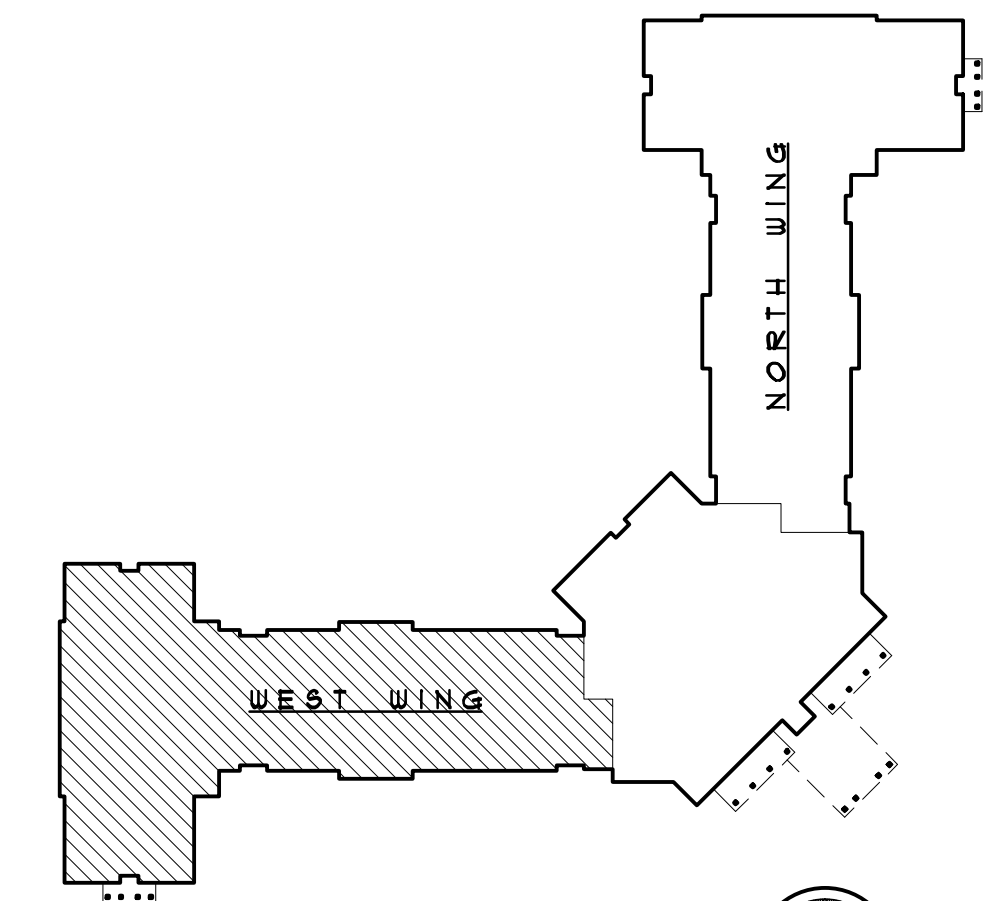
DSC
ARCHITECTS
401 FRONT STREET
BEREA, OHIO 44017
PHONE: 440.835.3957
mail@dscarchitects.com

DATE:
PRICING: 03/11/24



NOTE: SEE SHEET A15 FOR CEILING LEGEND. SEE SHEET A11 FOR KEYNOTE LEGEND.
SCALE: 1/8" = 1'-0"

REFLECTED CEILING PLAN - WEST WING



KEY PLAN

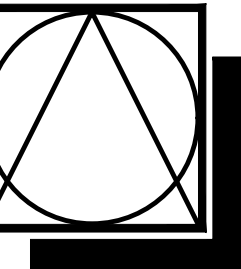


NEW 90 BED SKILLED NURSING FACILITY
SMITH MOUNTAIN LAKE HEALTH & REHAB CENTER
STATE RTE 616
MONETA, FRANKLIN COUNTY, VIRGINIA

PRELIMINARY
NOT FOR CONSTRUCTION

DSCA PROJECT NO.
23046

A1.4



DSC
ARCHITECTS
401 FRONT STREET
BEREA, OHIO 44017
PHONE: 440.835.3957
mail@dscarchitects.com

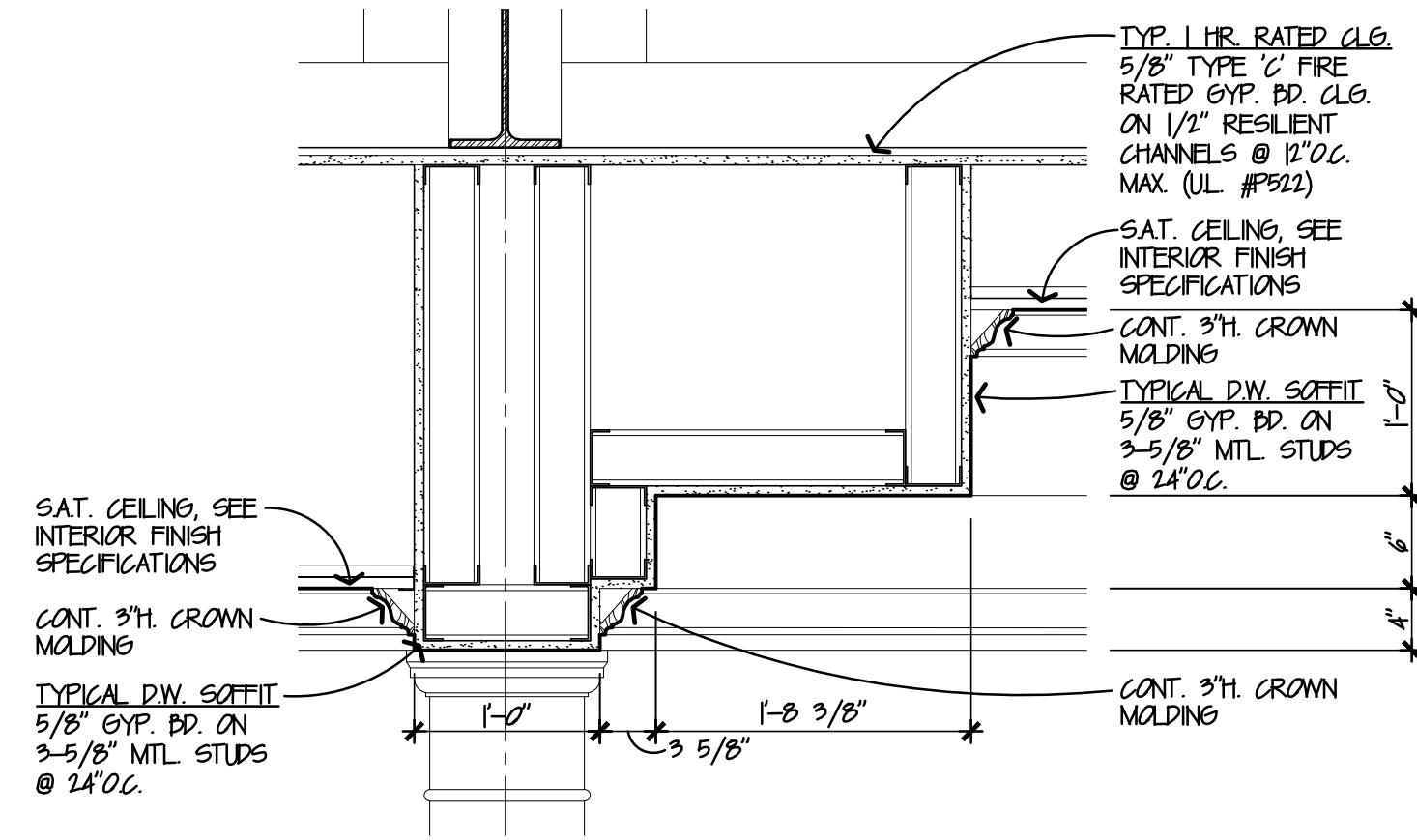
DATE:
PRINCIPAL: 03/11/24

CEILING NOTES

- SAT. CEILINGS TO BE @ (+9'-0") AFF. UNLESS NOTED OTHERWISE (LINO). CENTER GRID IN ROOM OR AS SHOWN ON PLAN.
- SEE ROOM FINISH SCHEDULE ON SHEET A41 FOR CEILING SPECIFICATIONS.
- SEE ELECTRICAL DRAWINGS FOR ALL EMERGENCY LIGHTING LOCATIONS & FIXTURE SPECIFICATIONS.
- SEE MECHANICAL DRAWINGS FOR ALL DIFFUSER & RETURN AIR GRILL LOCATIONS.

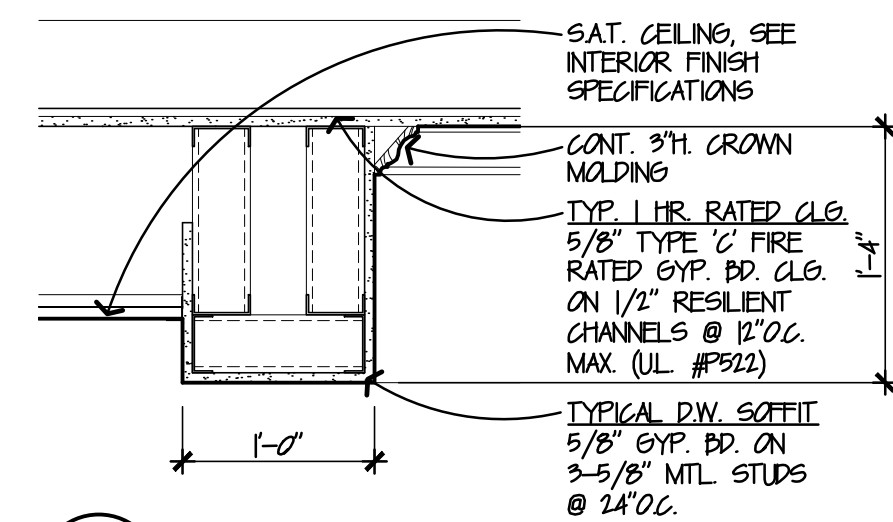
CEILING LEGEND

- 2'x2' SUSPENDED ACOUSTICAL TILE CEILING
- 2'x4' SUSPENDED ACOUSTICAL TILE CEILING
-
-
- CROWN MOLDING AT SOFFIT - SEE DETAILS THIS SHEET
- 2'x4' LAY-IN LIGHT FIXTURE
- 2'x4' LAY-IN DIRECT/INDIRECT LIGHT FIXTURE
- 4' LINEAR SURFACE MOUNTED LIGHT FIXTURE
- COVE LIGHT
- 4' WALL MOUNTED VANITY LIGHT FIXTURE
- 2' WALL MOUNTED VANITY LIGHT FIXTURE
- 2'x2' LAY-IN DIRECT/INDIRECT LIGHT FIXTURE
- DECORATIVE CHANDELIER
- LARGE DECORATIVE SURFACE MOUNTED LIGHT FIXTURE
- LARGE DECORATIVE PENDANT MOUNTED LIGHT FIXTURE
- SMALL DECORATIVE PENDANT MOUNTED LIGHT FIXTURE
- DECORATIVE WALL SCONCE
- RECESSED DOWNLIGHT
- LARGE EXTERIOR RECESSED DOWNLIGHT
- SMALL EXTERIOR RECESSED DOWNLIGHT
- CEILING MOUNTED RESTROOM LIGHT



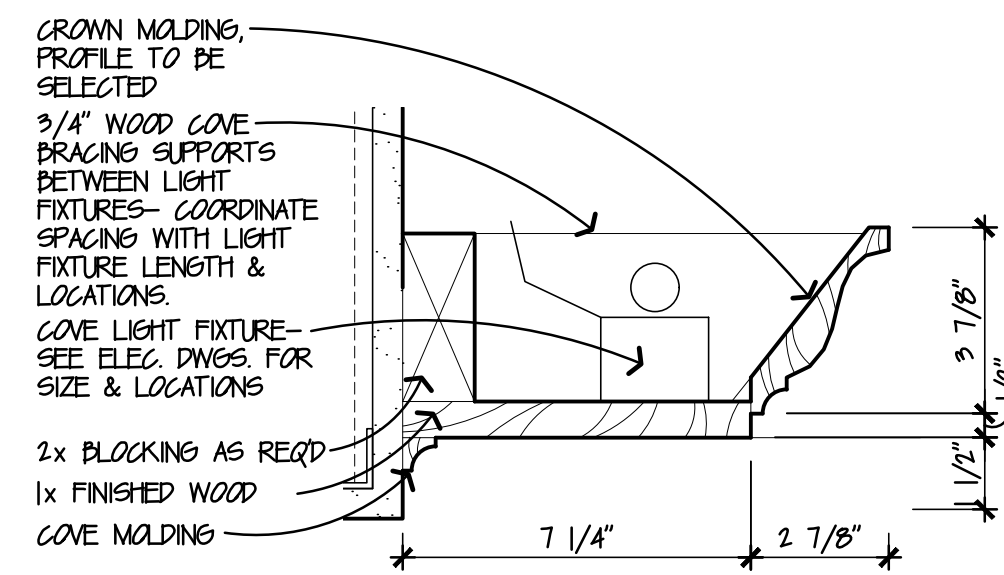
1 COLUMN SOFFIT DETAIL

A15 SCALE: 1"=1'-0"



2 SOFFIT DETAIL

A15 SCALE: 1"=1'-0"



3 COVE LIGHT DETAIL

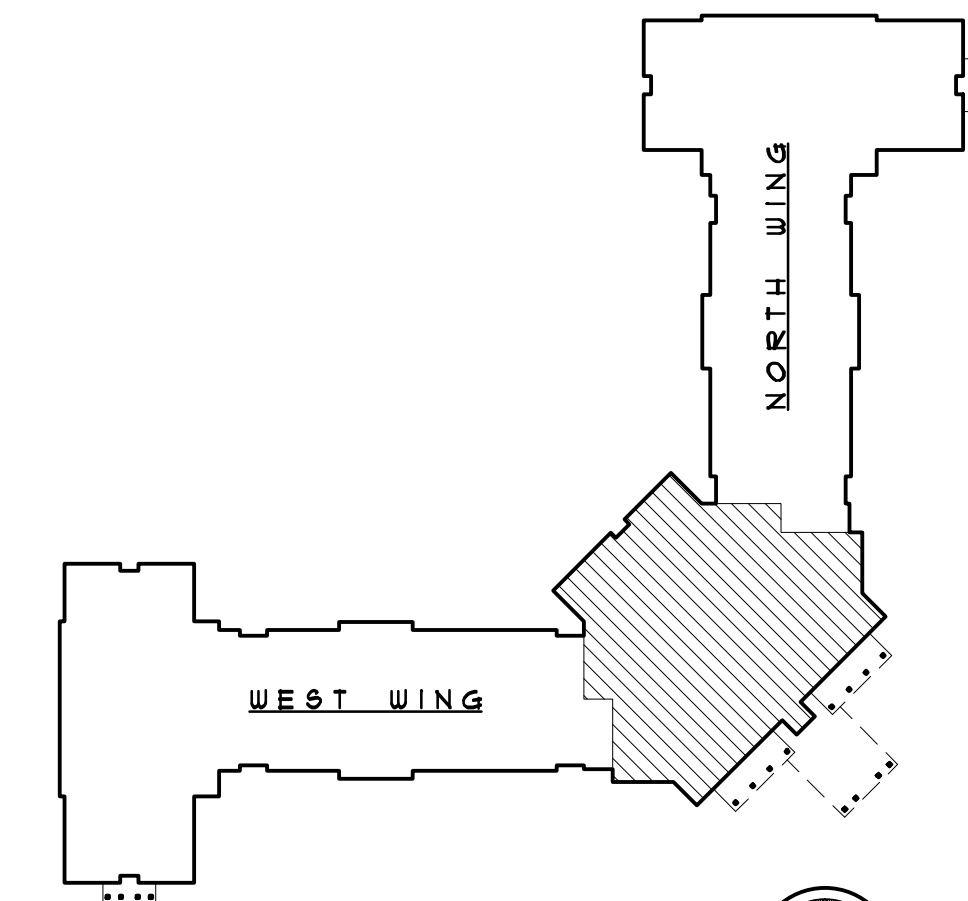
A15 SCALE: 3/4"=1'-0"

NOTE: PROVIDE SHOP DWGS. TO ARCHITECT FOR APPROVAL PRIOR TO FABRICATION.



REFLECTED CEILING PLAN - CENTER

SCALE: 1/8" = 1'-0"



KEY PLAN

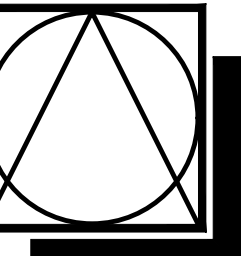


PRELIMINARY
NOT FOR CONSTRUCTION

NEW 90 BED SKILLED NURSING FACILITY
SMITH MOUNTAIN LAKE HEALTH & REHAB CENTER
STATE RTE 616
MONETA, FRANKLIN COUNTY, VIRGINIA

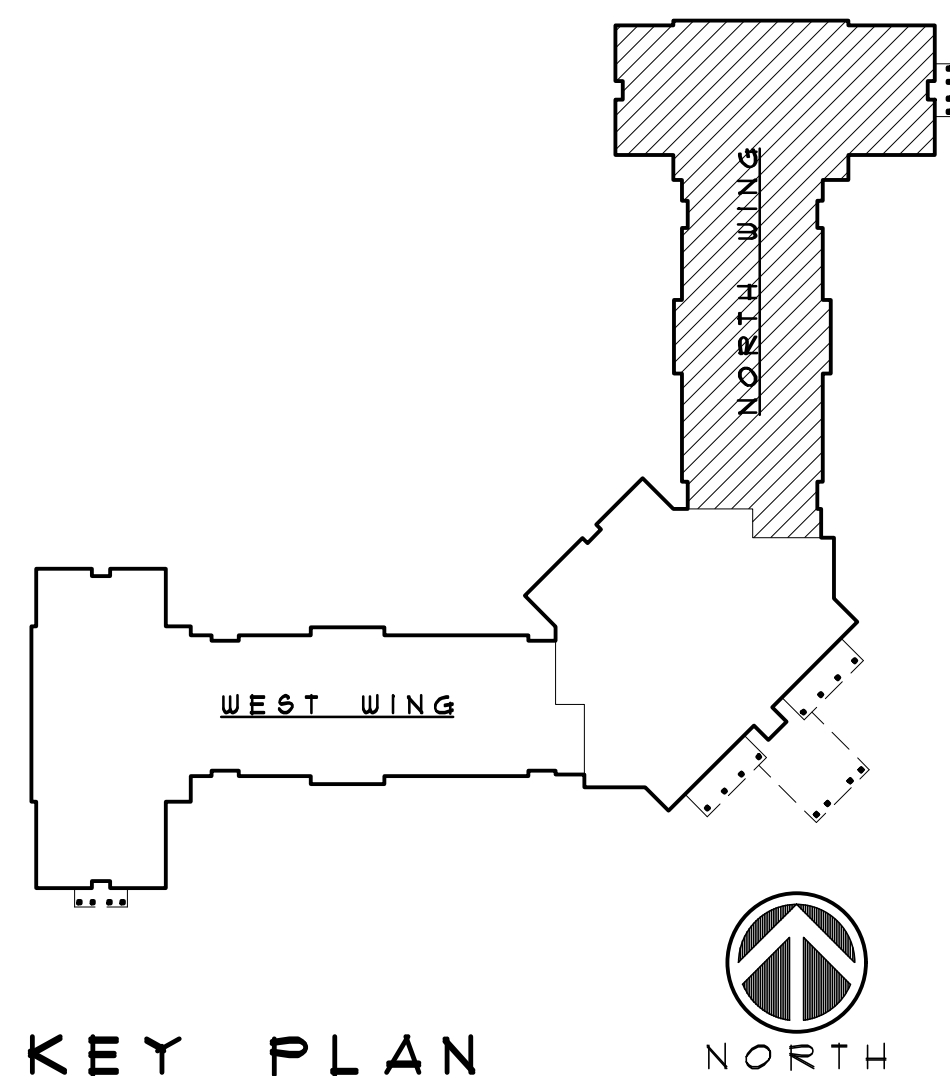
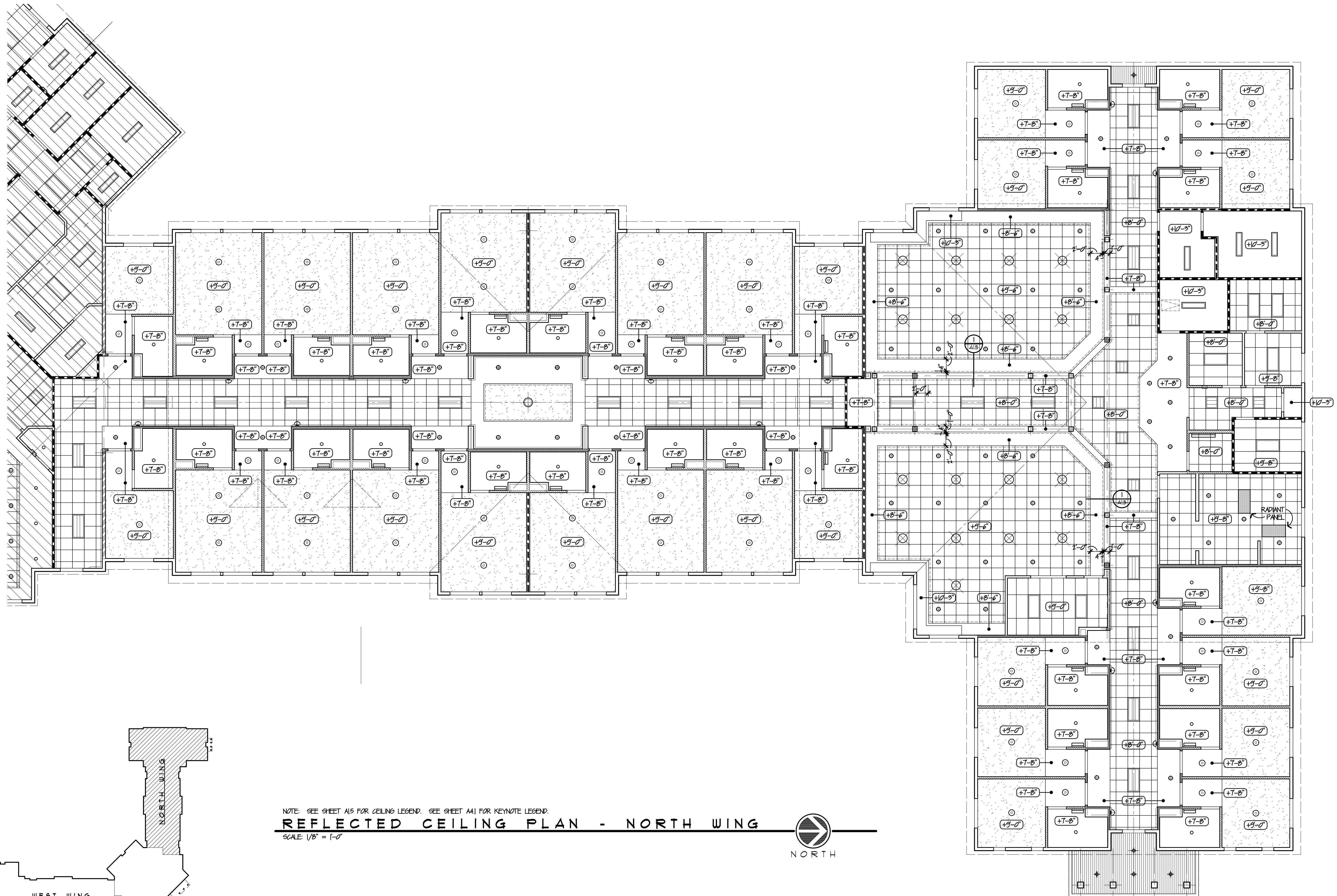
DSCA PROJECT NO.
23046

A15



DSC
ARCHITECTS
401 FRONT STREET
BEREA, OHIO 44017
PHONE: 440.835.3957
mail@dscarchitects.com

DATE:
PRINCIPAL: 03/11/24



NOTE: SEE SHEET A15 FOR CEILING LEGEND. SEE SHEET A41 FOR KEYNOTE LEGEND.
REFLECTED CEILING PLAN - NORTH WING
SCALE: 1/8" = 1'-0"

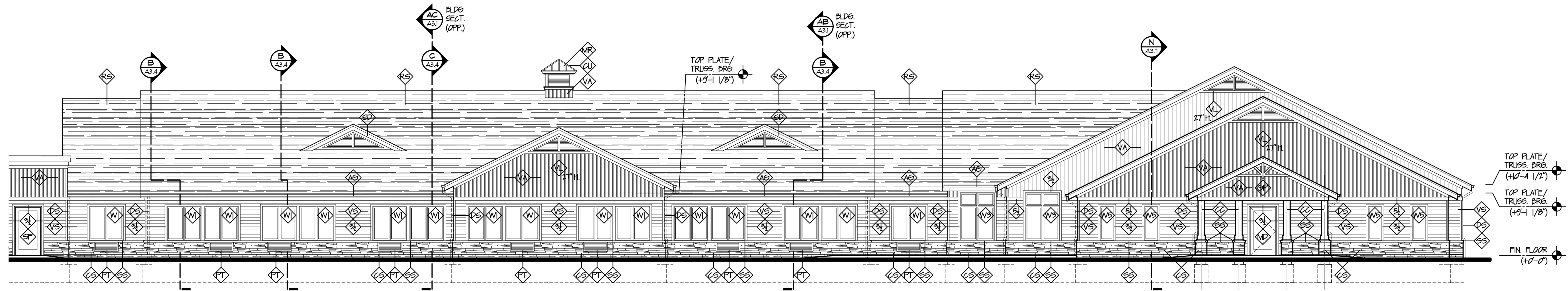


NEW 90 BED SKILLED NURSING FACILITY
SMITH MOUNTAIN LAKE HEALTH & REHAB CENTER
STATE RTE 616
MONETA, FRANKLIN COUNTY, VIRGINIA

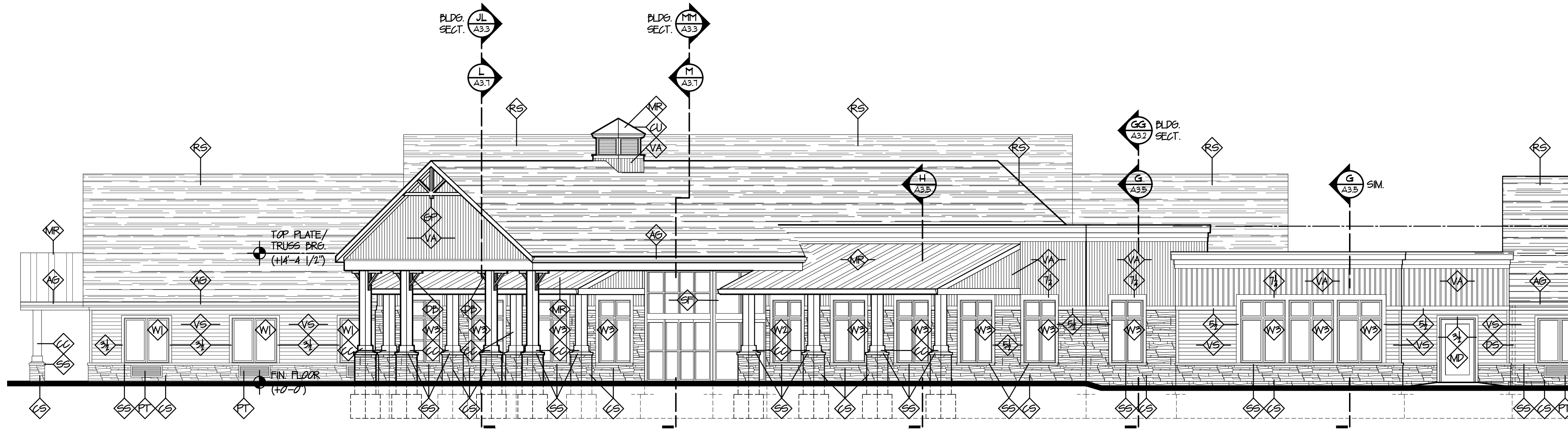
PRELIMINARY
NOT FOR CONSTRUCTION

DSCA PROJECT NO.

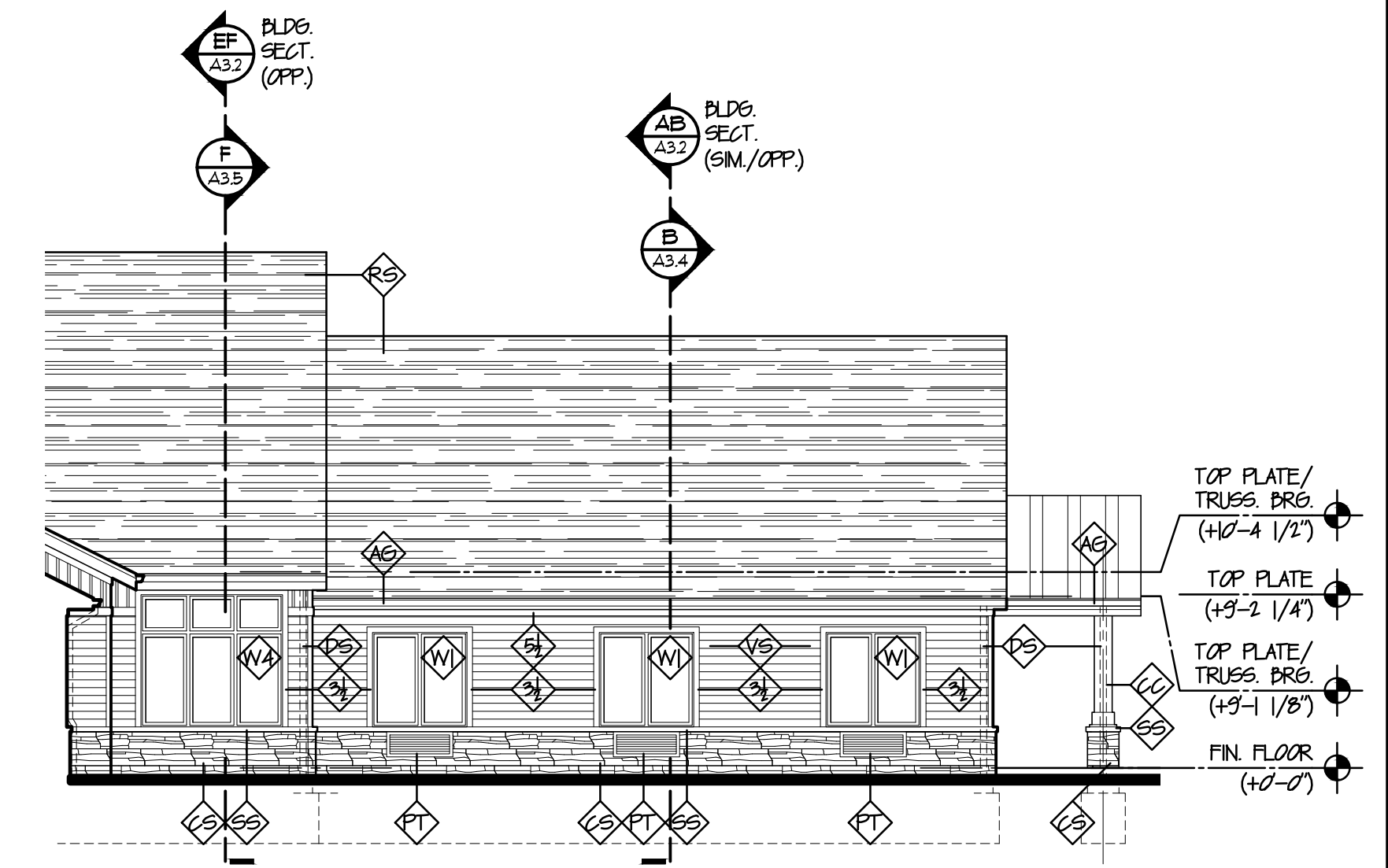
A1.6



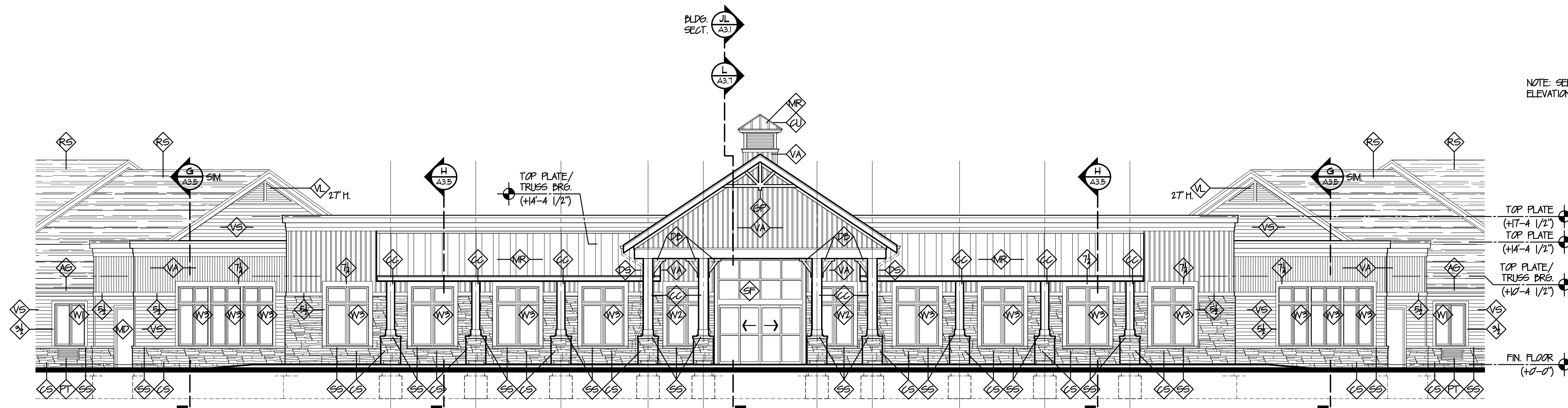
NOTE: SOUTH ELEVATION SIMILAR BUT OPPOSITE
D PARTIAL EAST ELEVATION
 A2.1 SCALE: 1/8" = 1'-0"



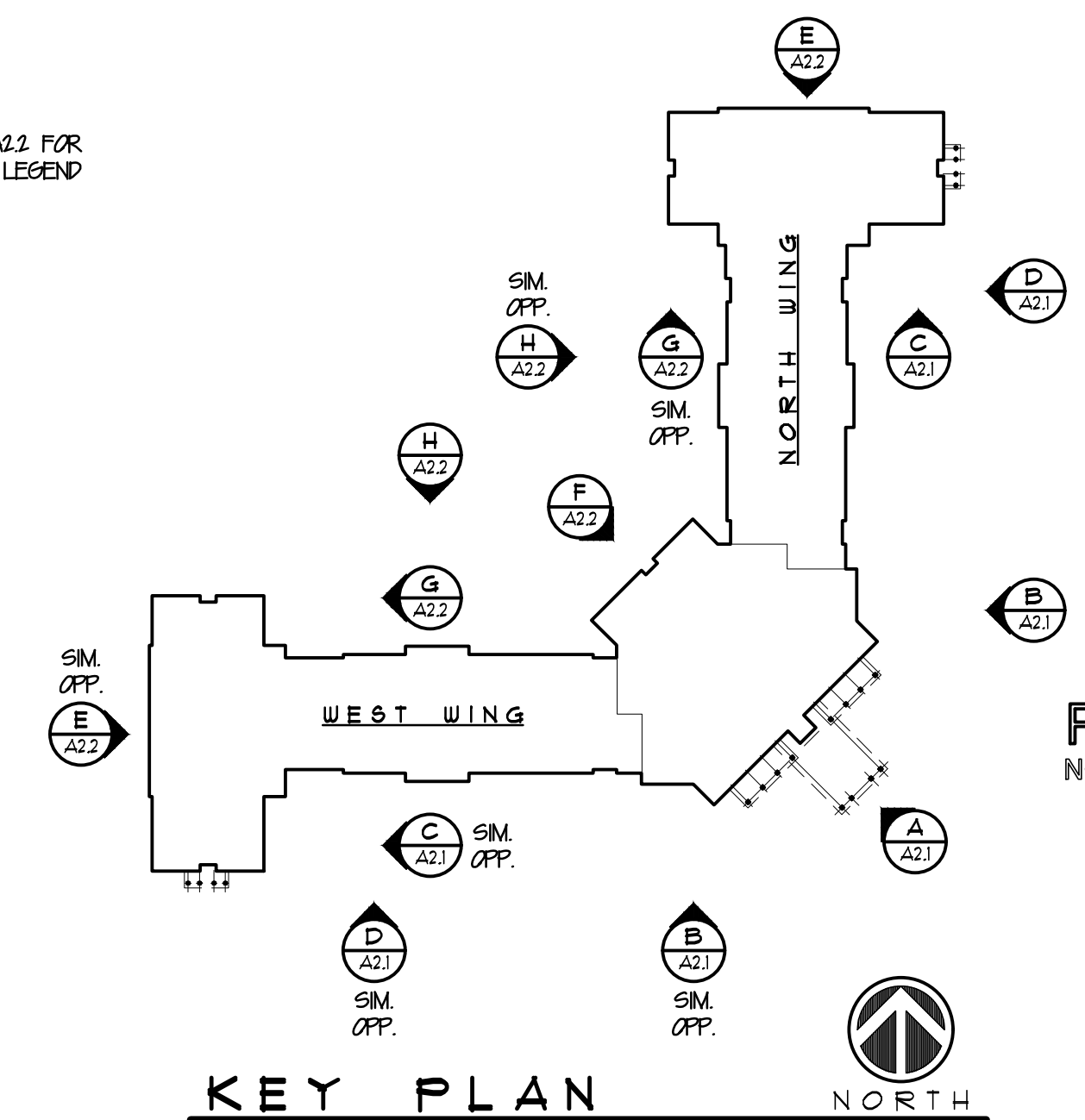
NOTE: SOUTH ELEVATION SIMILAR BUT OPPOSITE
B PARTIAL EAST ELEVATION
 A2.1 SCALE: 1/8" = 1'-0"



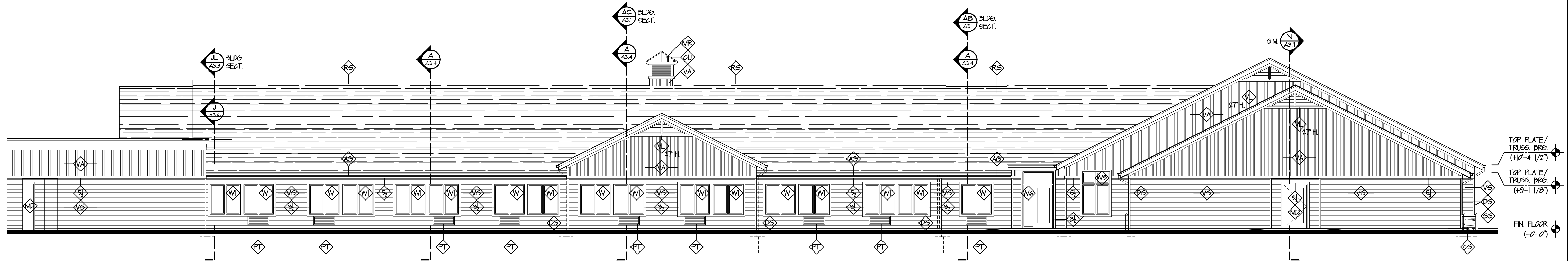
NOTE: EAST ELEVATION SIMILAR BUT OPPOSITE
C PARTIAL SOUTH ELEVATION
 A2.1 SCALE: 1/8" = 1'-0"



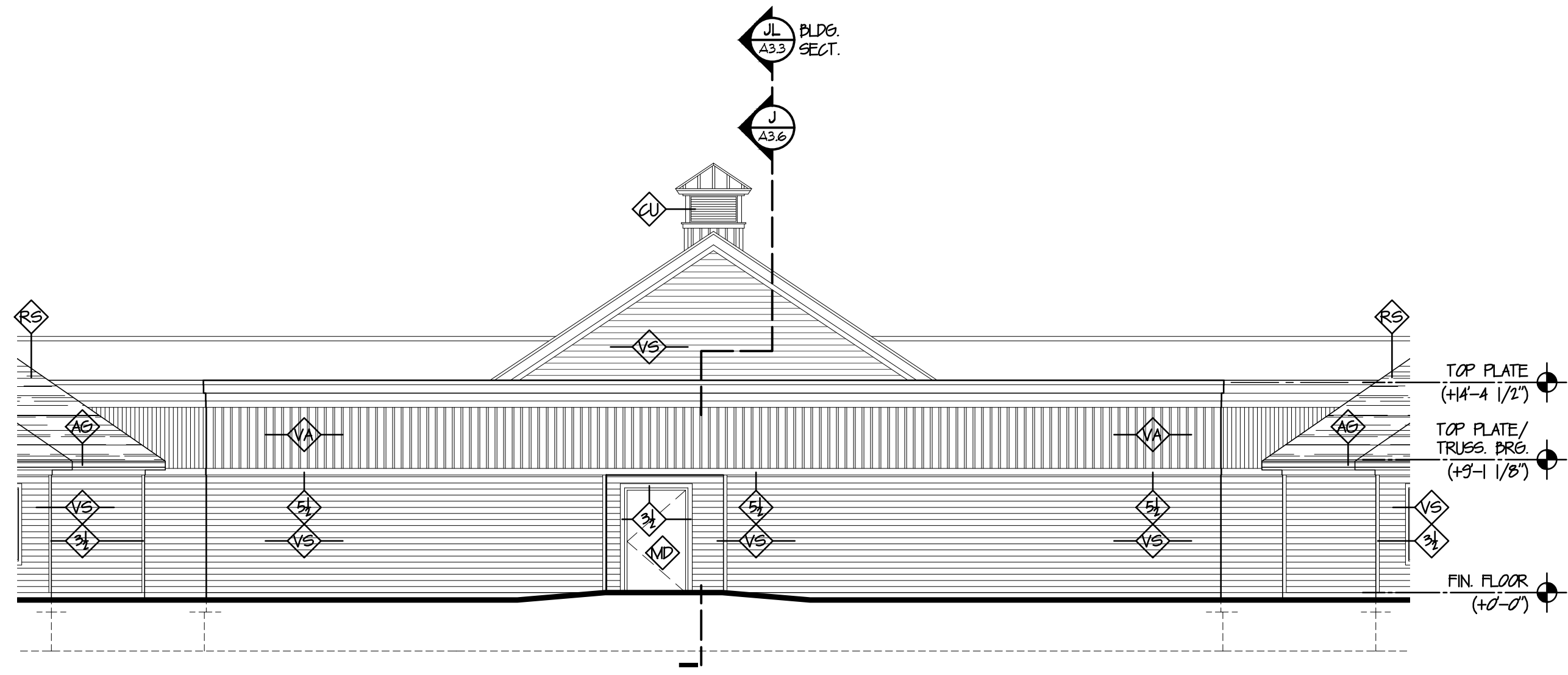
NOTE: SEE DRAWING A2.2 FOR ELEVATION KEY NOTE LEGEND
A PARTIAL SOUTHEAST ELEVATION
 A2.1 SCALE: 1/8" = 1'-0"



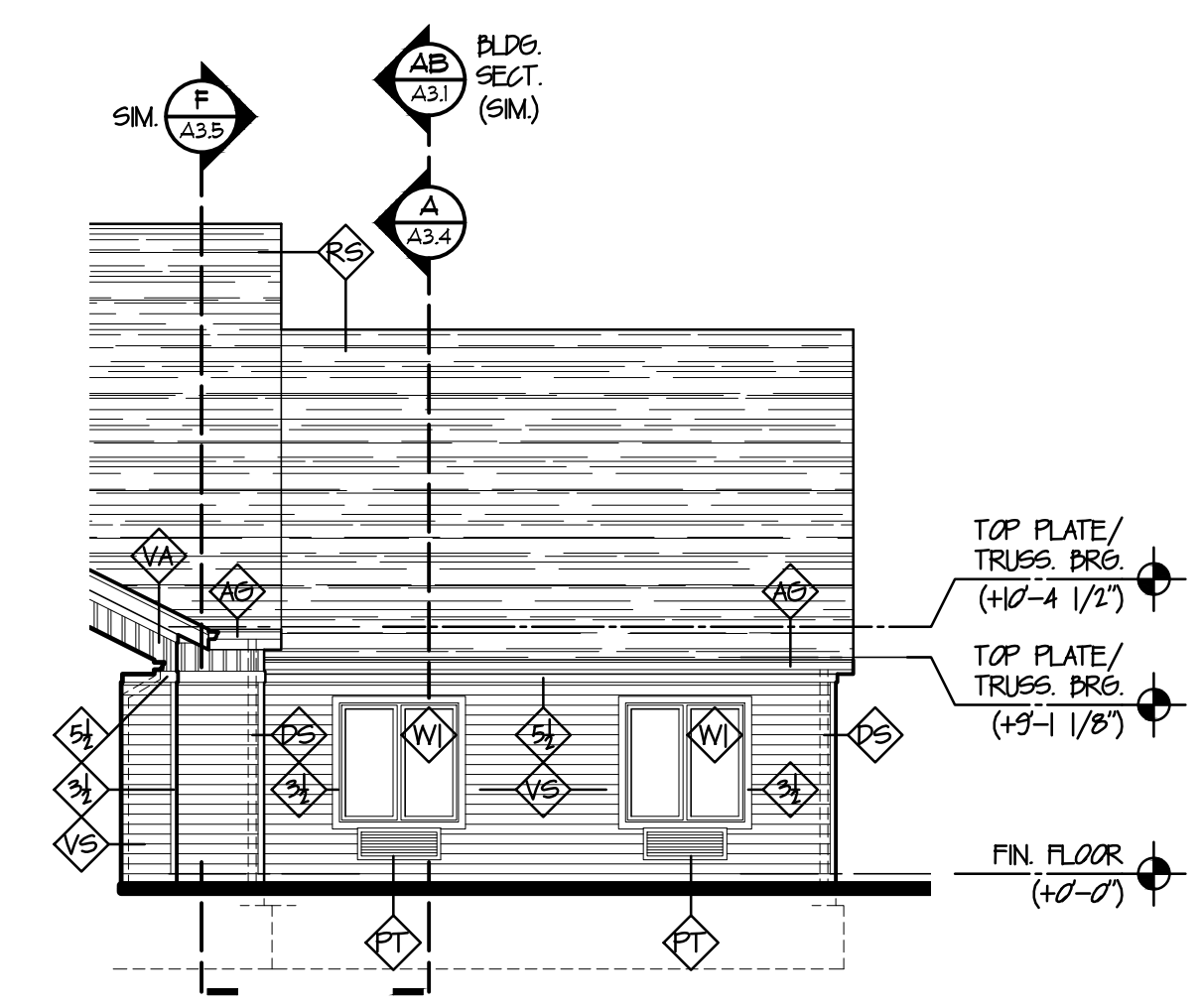
PRELIMINARY
 NOT FOR CONSTRUCTION



NOTE: WEST ELEVATION SAME BUT OPPOSITE
H PARTIAL NORTH ELEVATION
 A2.2 SCALE: 1/8" = 1'-0"



F PARTIAL NORTHWEST ELEVATION
 A2.2 SCALE: 1/8" = 1'-0"



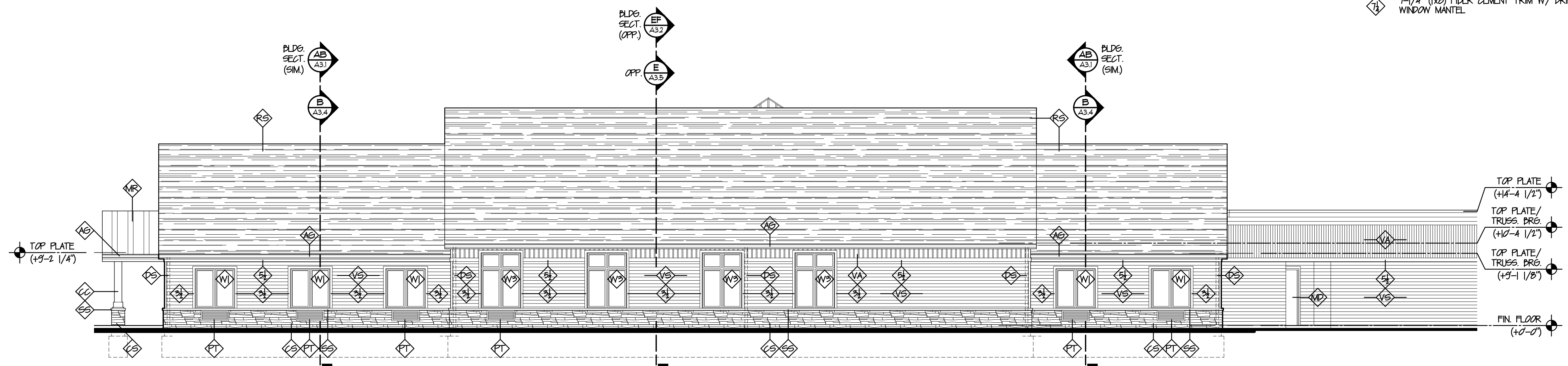
NOTE: SOUTH ELEVATION SAME BUT OPPOSITE
G PARTIAL EAST ELEV.
 A2.2 SCALE: 1/8" = 1'-0"

KEY NOTE LEGEND

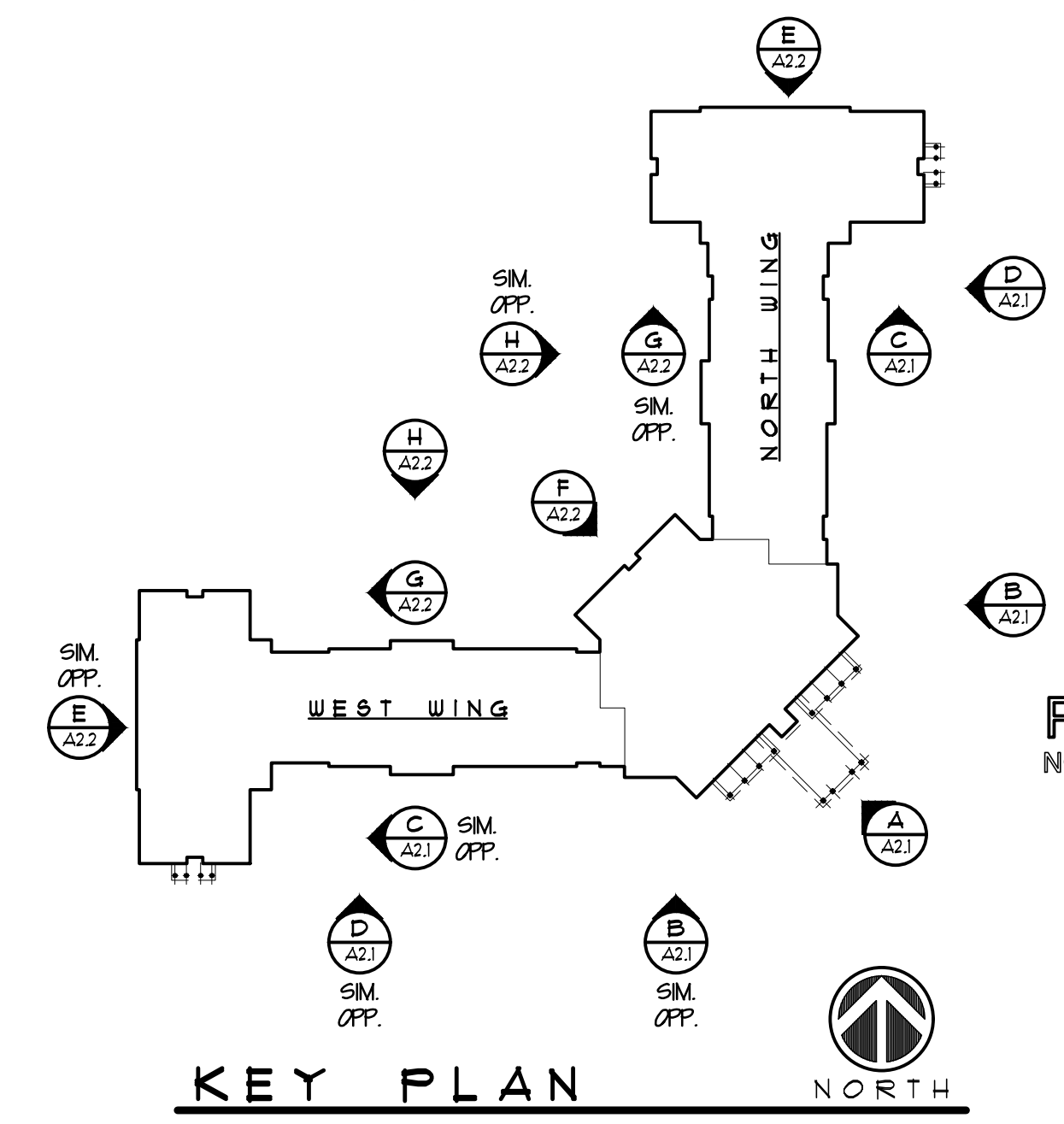
- AG PREFINISHED ALUMINUM GUTTER ON 1x8 FIBER CEMENT TRIM BOARD
- AG DECORATIVE FIBER CEMENT COLUMN COVER PER EXTERIOR FINISH SPECIFICATIONS
- AG CULTURED STONE VENEER, SEE EXTERIOR FINISH SPECIFICATIONS. SUBMIT STONE & MORTAR SAMPLES TO ARCHITECT FOR APPROVAL
- AG PREFABRICATED SQUARE LOUVERED CUPOLA W/ SOLID PVC VINYL CONSTRUCTION & STANDING SEAM METAL ROOF. APPROXIMATE SIZE 48"X48"X10". SUBMIT SHOP DRAWINGS TO ARCHITECT FOR APPROVAL
- AG 18" W. x 24" H. x 3/4" DECORATIVE POLYURETHANE BRACKET
- AG PREFINISHED ALUMINUM DOWNSPOUT
- AG 9'-0" W. x 3'-4" H. POLYURETHANE GABLE PEDIMENT
- AG INSULATED HOLLOW METAL DOOR, SEE DOOR SCHEDULE ON SHEET A51
- AG STANDING SEAM METAL ROOF, SEE EXTERIOR FINISH SPECIFICATIONS
- AG FTAC THRU-WALL HVAC UNIT, SEE MECHANICAL DRAWINGS
- AG ROOF SHINGLES, SEE EXTERIOR FINISH SPECS.
- AG SHINGLED DORMER W/ VENT
- AG ALUMINUM STOREFRONT WINDOW SYSTEM, SEE DETAILS ON SHEET A51
- AG CULTURED STONE SILL BY VENEER MANUFACTURER, SEE EXTERIOR FINISH SPECIFICATIONS
- AG VERTICAL VINYL SIDING ACCENT, SEE EXTERIOR FINISH SPECIFICATIONS
- AG HORIZONTAL VINYL SIDING, SEE EXTERIOR FINISH SPECIFICATIONS
- AG SINGLE-HUNG INSULATED VINYL WINDOW, SEE WINDOW DETAILS & SPECIFICATIONS ON SHEET A52
- AG DECORATIVE VINYL ACCENT LOUVER - SIZE AS NOTED
- AG 3-1/2" (1x4) FIBER CEMENT TRIM - WINDOW/DOOR CASING
- AG 5-1/2" (1x6) FIBER CEMENT TRIM - ACCENT BAND AND WINDOW CASING
- AG 7-1/4" (1x8) FIBER CEMENT TRIM W/ DRIP CAP - WINDOW MANTEL

EXTERIOR FINISH SPECIFICATIONS

- GUTTER/RAKE BD. TRIM BD.**
 1x ALUMINUM WRAPPED WOOD TRIM (SIZE PER WALL SECTIONS & DETAILS). COLOR TO BE SELECTED.
- GUTTERS & DOWNSPOUTS**
 24 GA. PREFINISHED ALUMINUM GUTTERS & DOWNSPOUTS. STANDARD "OGEE" PROFILE W/ 3"x4" RECTANGULAR DOWNSPOUTS AS MANUFACTURED BY PETERSON ALUMINUM CORP. OR APPROVED EQUAL. COLOR TO BE SELECTED.
- ROOF SHINGLES**
 30 YEAR ARCHITECTURAL FIBERGLASS BASE ASPHALT ROOF SHINGLES. TIMBERLINE H2 LIFETIME HIGH DEFINITION SHINGLES BY GAF OR APPROVED EQUAL. COLOR TO BE SELECTED.
- STANDING SEAM METAL ROOF**
 STANDING SEAM METAL ROOF, "SM 15" SNAPLOCK 550 BY SHEFFIELD METALS OR EQUAL W/ VENTED RIDGE CAP INSTALLED PER MANIFS REQUIREMENTS OVER SELF-ADHERED POLYPROPYLENE MEMBRANE UNDERLAYMENT. COLOR TO BE SELECTED.
- CULTURED STONE SILL**
 CULTURED STONE WATERTABLE/SILL BY DORAL CULTURED STONE OR APPROVED EQUAL. COLOR TO BE SELECTED.
- CULTURED STONE**
 2" NOMINAL CULTURED STONE VENEER BY DORAL CULTURED STONE OR EQUAL. INSTALL PER MVMA GUIDELINES. STONE & MORTAR COLOR TO BE SELECTED.
- VINYL SOFFIT**
 FULLY VENTED TRIPLE "A" V-GROOVE VINYL SOFFIT, "ALLIANCE T-4 PREMIUM VINYL SOFFIT BY ALSIDE OR APPROVED EQUAL. COLOR TO BE SELECTED.
- HORIZONTAL VINYL SIDING**
 0.04" THICK HORIZONTAL VINYL SIDING, "COUNTRY DOUBLE 5" CLAPBOARD PROFILE AS MANUFACTURED BY ALSIDE OR APPROVED EQUAL. COLOR TO BE SELECTED.
- VERTICAL VINYL SIDING**
 BOARD & BATTEN VERTICAL VINYL SIDING BY ALSIDE OR APPROVED EQUAL. COLOR TO BE SELECTED.
- FIBER CEMENT TRIM & COLUMN COVERS**
 RUSTIC FIBER CEMENT TRIM BY JAMES HARDIE OR EQUAL INSTALLED PER MANUFACTURER'S REQUIREMENTS W/ SEALANT APPLIED TO ALL JOINTS. TRIM TO BE FACTORY PRIMED & RECEIVE MINIMUM (2) FINISH COATS OF 100% ACRYLIC PAINT IN COLOR(S) TO BE SELECTED.



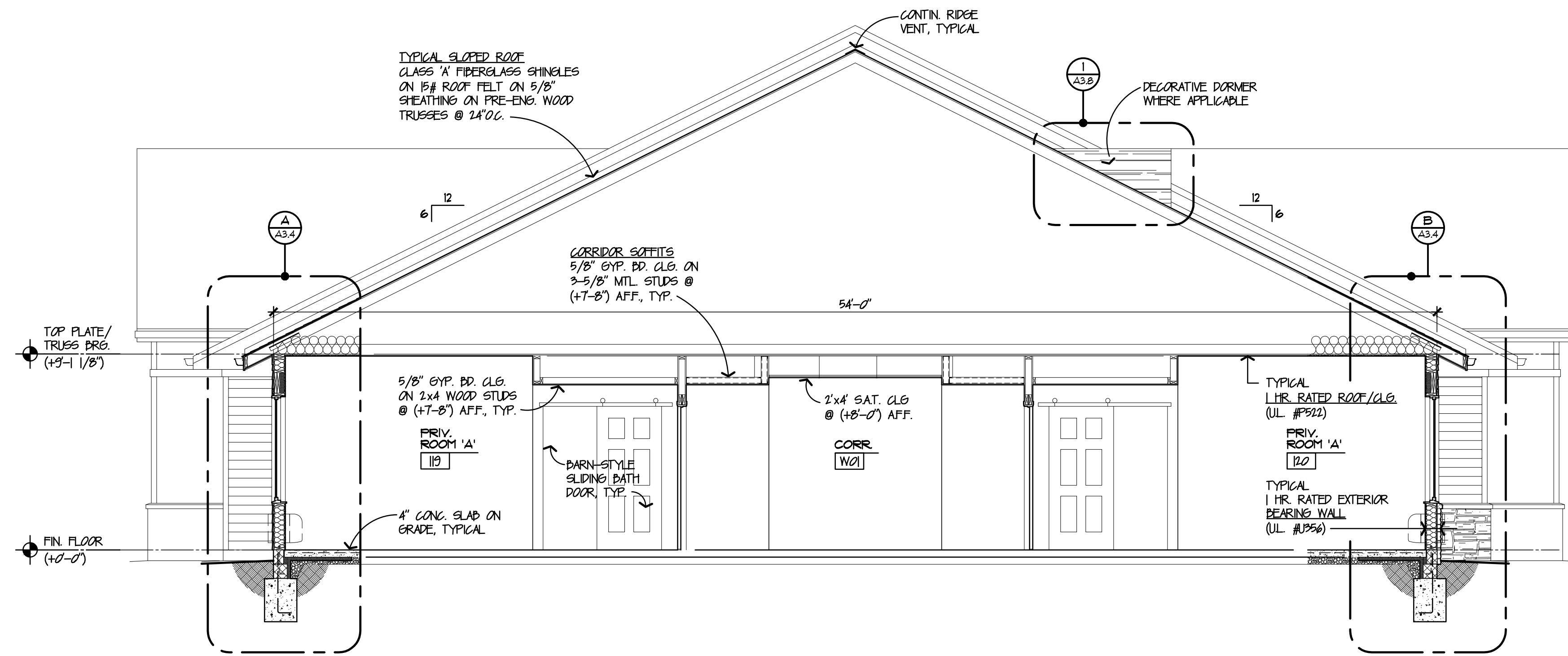
NOTE: NORTH ELEVATION SAME BUT OPPOSITE
E PARTIAL NORTH ELEVATION
 A2.2 SCALE: 1/8" = 1'-0"



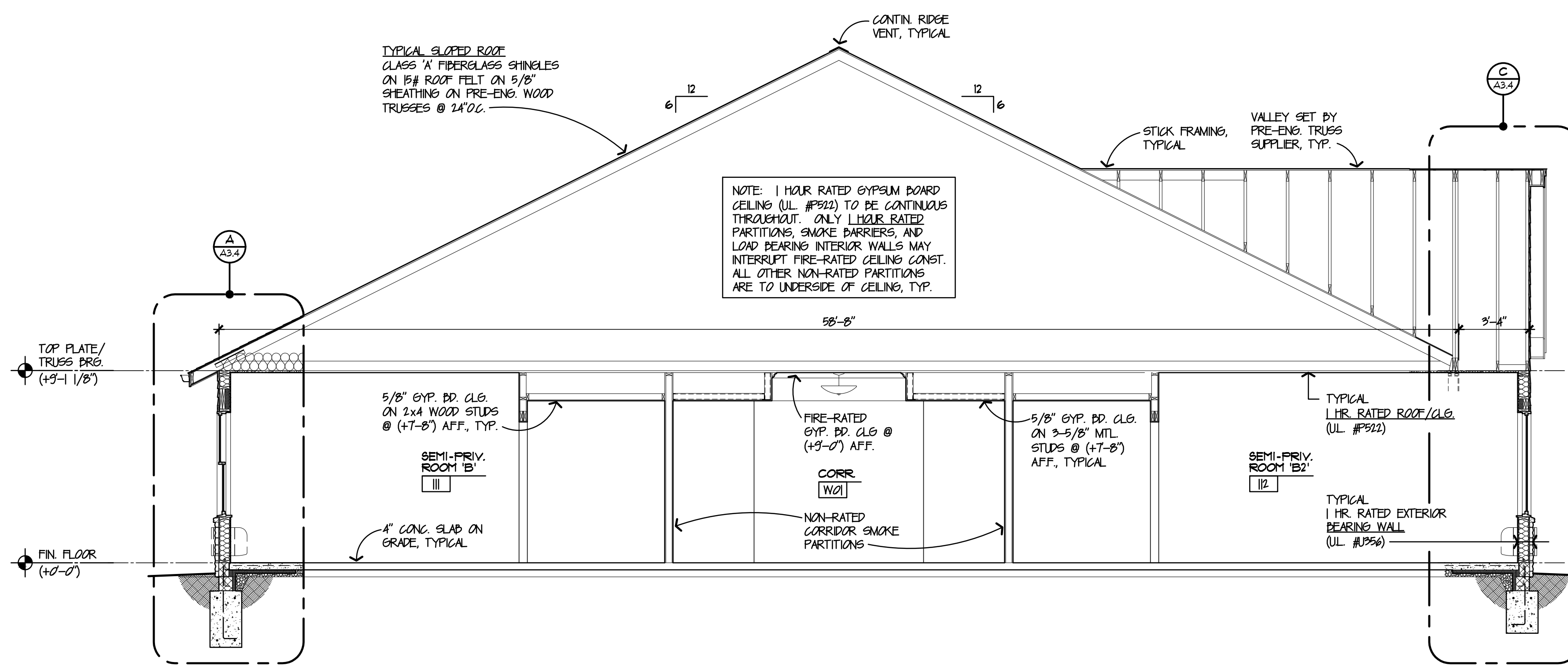
KEY PLAN
 NORTH

NEW 90 BED SKILLED NURSING FACILITY
SMITH MOUNTAIN LAKE HEALTH & REHAB CENTER
 STATE RTE 616
 MONETA, FRANKLIN COUNTY, VIRGINIA

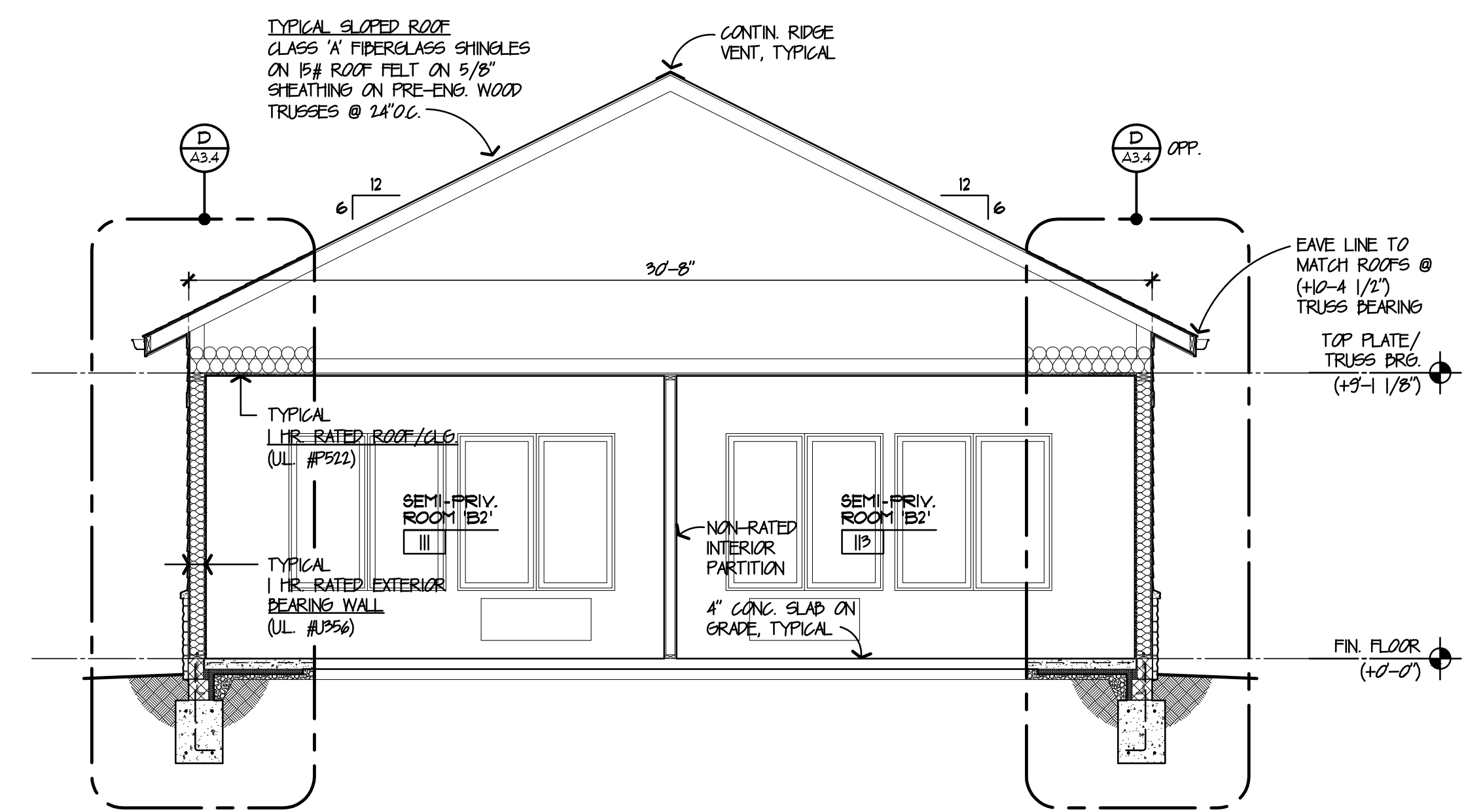
PRELIMINARY
 NOT FOR CONSTRUCTION



AE BUILDING SECTION 'A-B'
 A3.1 SCALE: 1/4" = 1'-0"

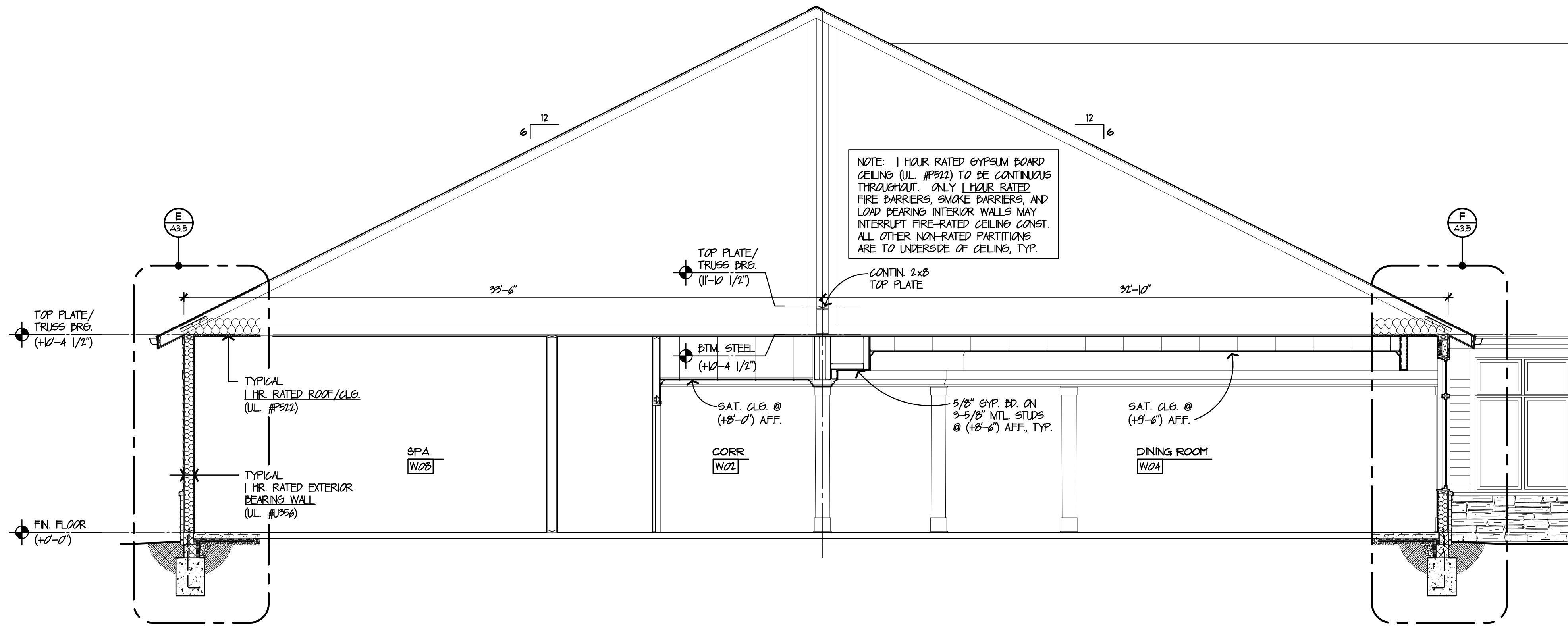


AC BUILDING SECTION 'A-C'
 A3.1 SCALE: 1/4" = 1'-0"

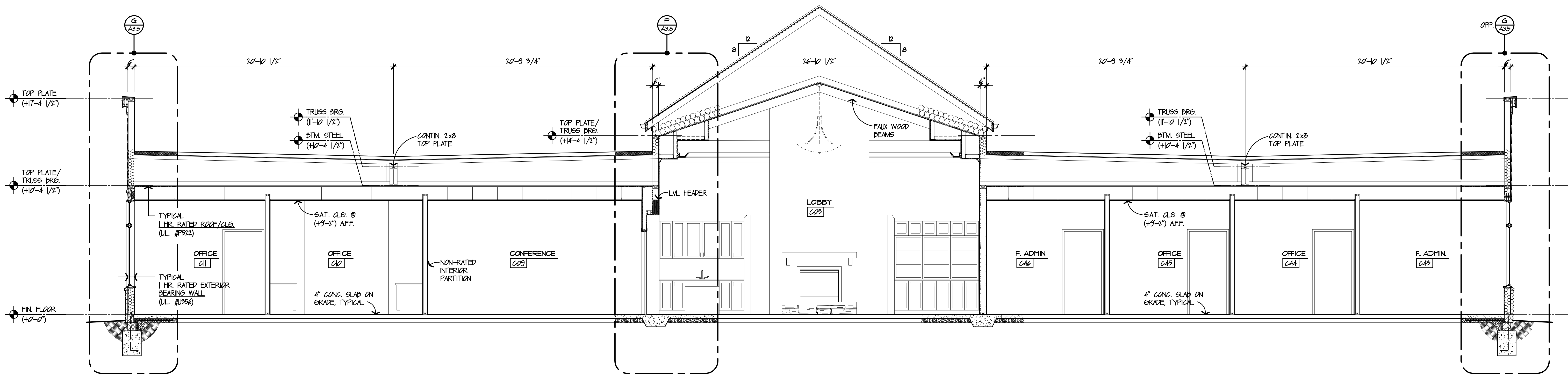


DD BUILDING SECTION 'D-D'
 A3.1 SCALE: 1/4" = 1'-0"

PRELIMINARY
 NOT FOR CONSTRUCTION

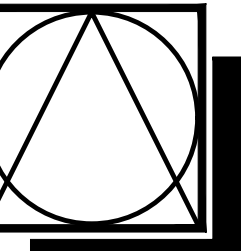


EF BUILDING SECTION 'E-F'
 A3.2 SCALE: 1/4" = 1'-0"



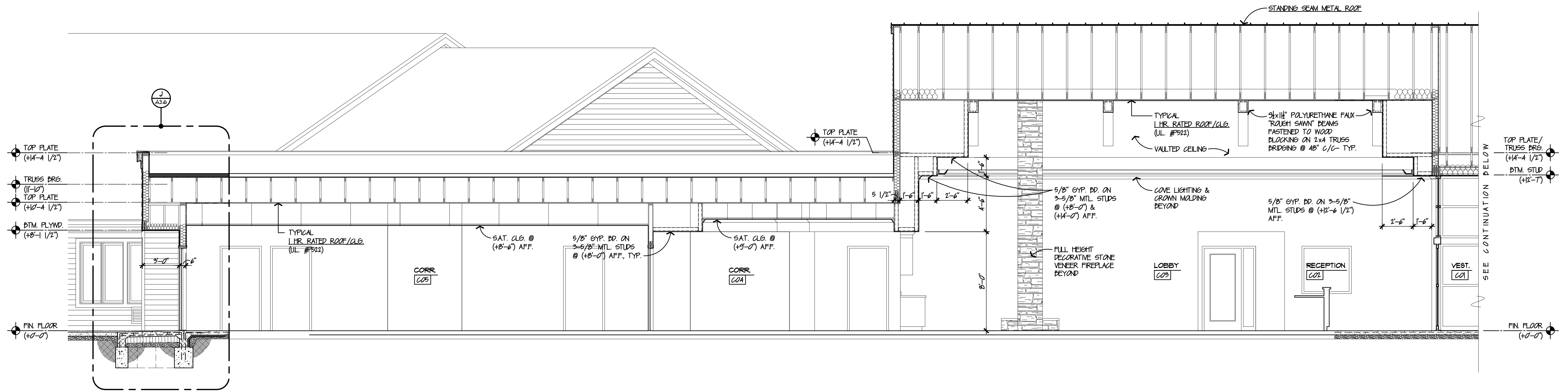
GG BUILDING SECTION 'G-G'
 A3.2 SCALE: 1/4" = 1'-0"

PRELIMINARY
 NOT FOR CONSTRUCTION

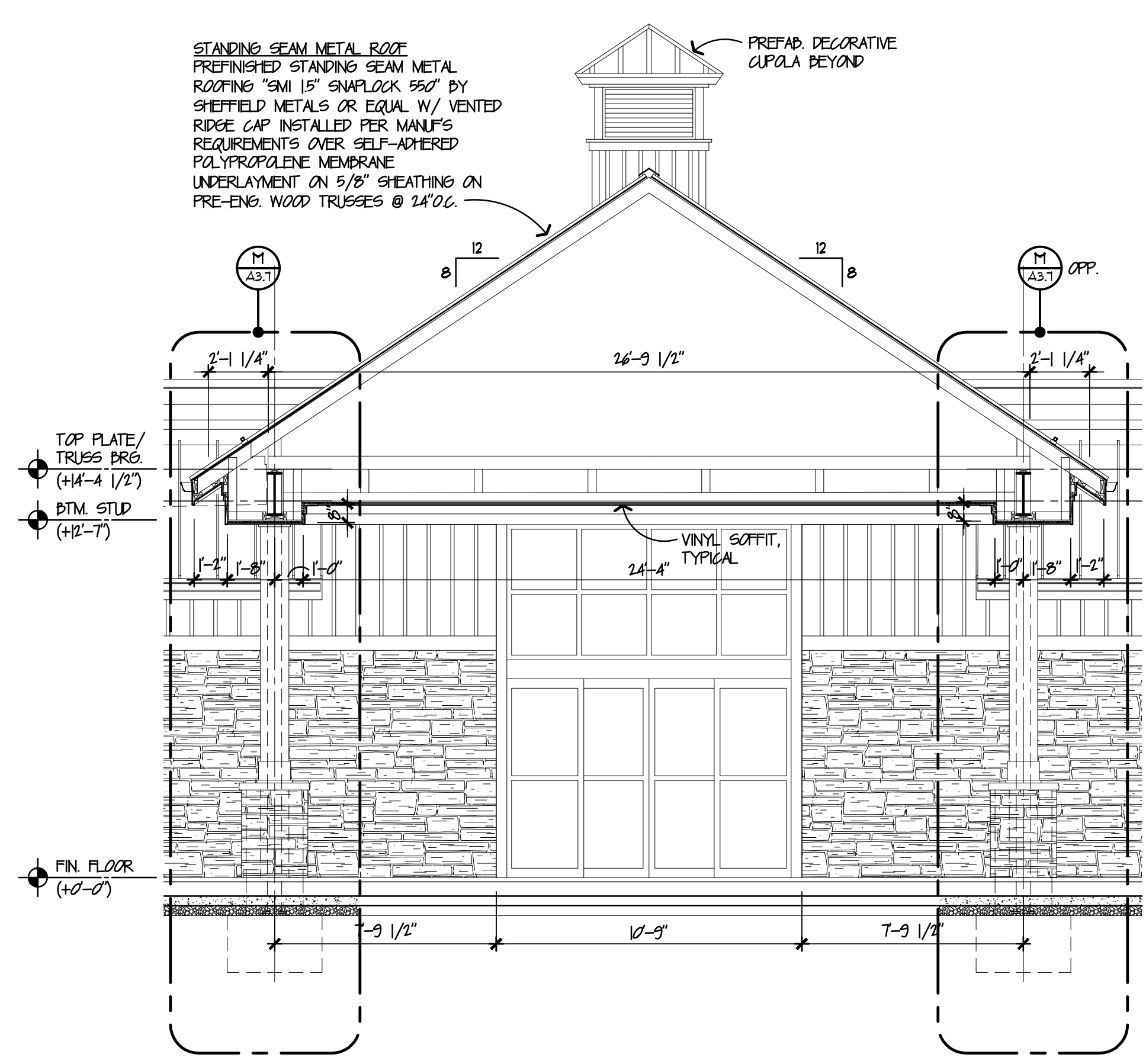


DSC ARCHITECTS
 401 FRONT STREET
 BEREA, OHIO 44017
 PHONE: 440.835.3957
 mail@dscarchitects.com

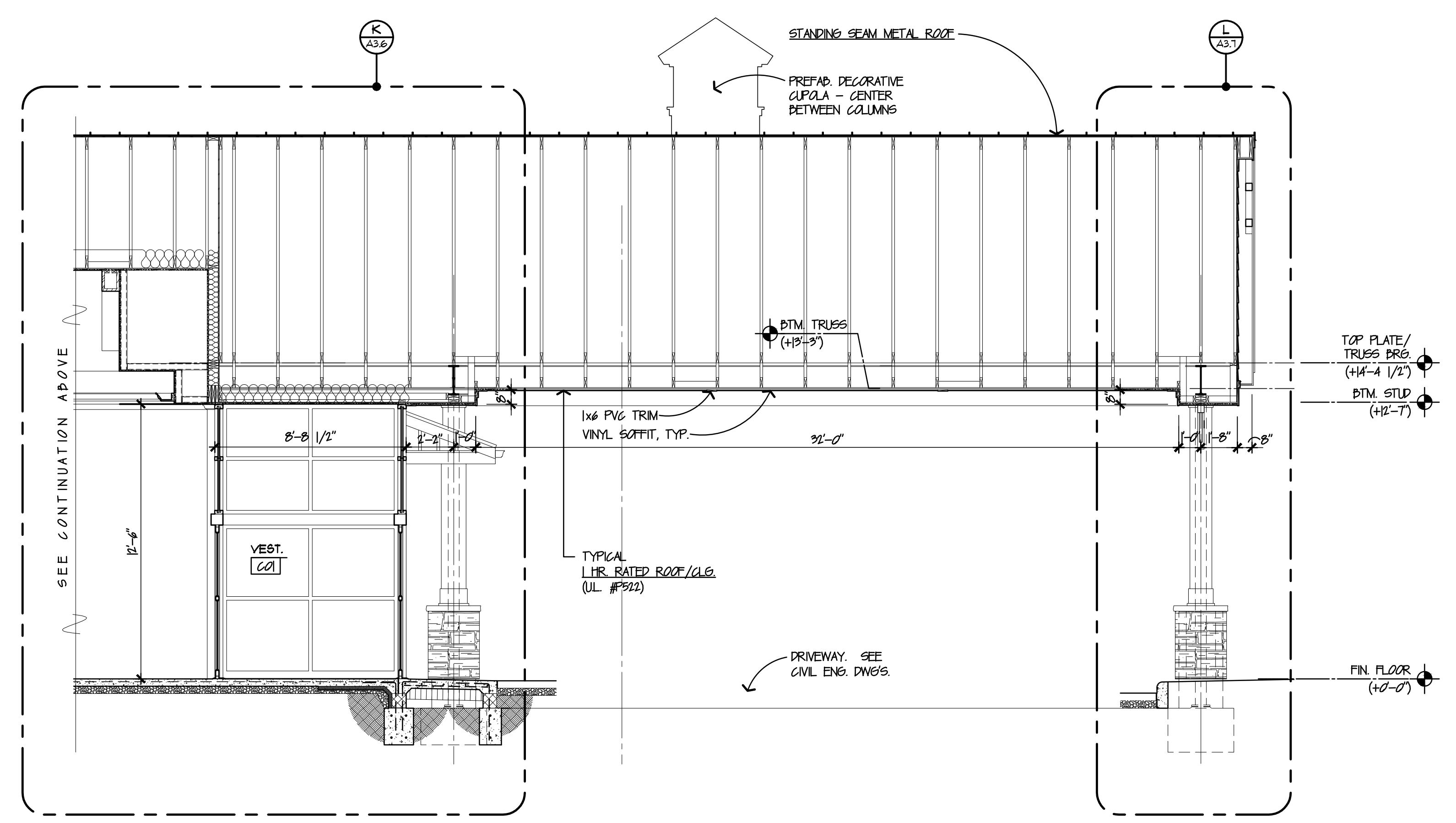
DATE:
 PRICING: 03/11/24



JL PARTIAL BUILDING SECTION 'J-L'
 A3.3 SCALE: 1/4" = 1'-0"



MM CANOPY SECTION 'M-M'
 A3.3 SCALE: 1/4" = 1'-0"



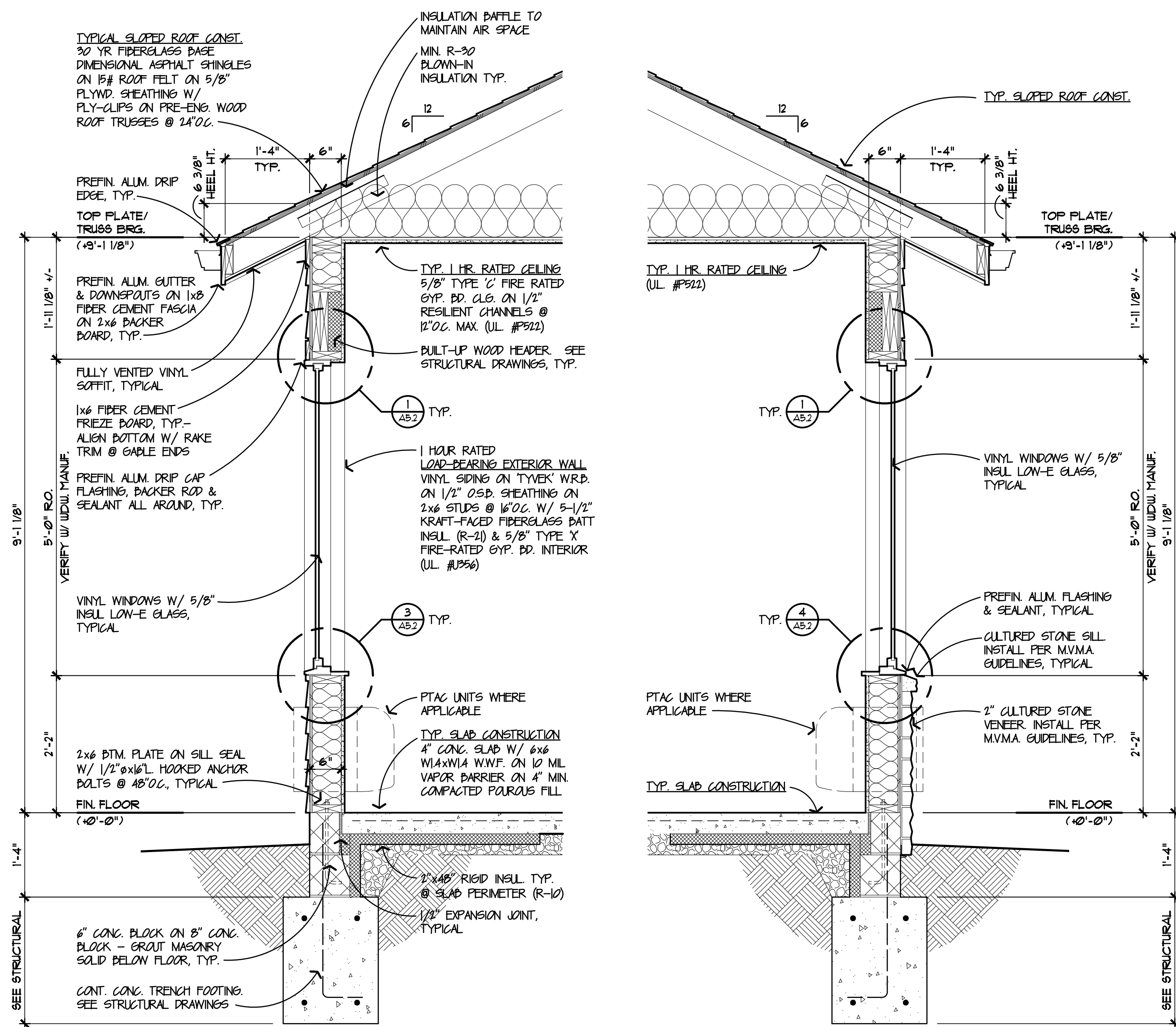
JL PARTIAL BUILDING SECTION 'J-L'
 A3.3 SCALE: 1/4" = 1'-0"

NEW 90 BED SKILLED NURSING FACILITY
SMITH MOUNTAIN LAKE HEALTH & REHAB CENTER
 STATE RTE 616
 MONETA, FRANKLIN COUNTY, VIRGINIA

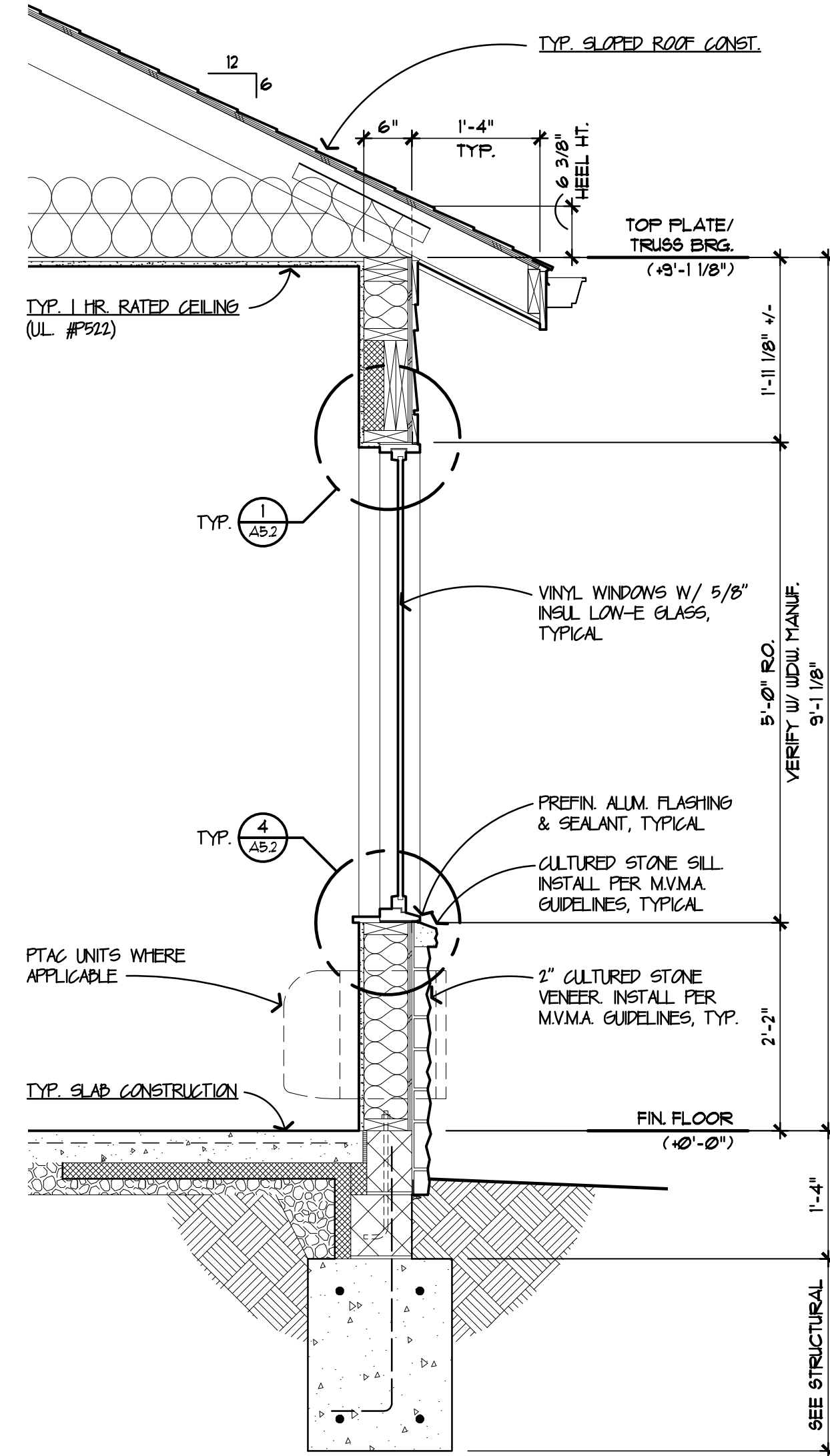
PRELIMINARY
 NOT FOR CONSTRUCTION

DSCA PROJECT NO.
 23046

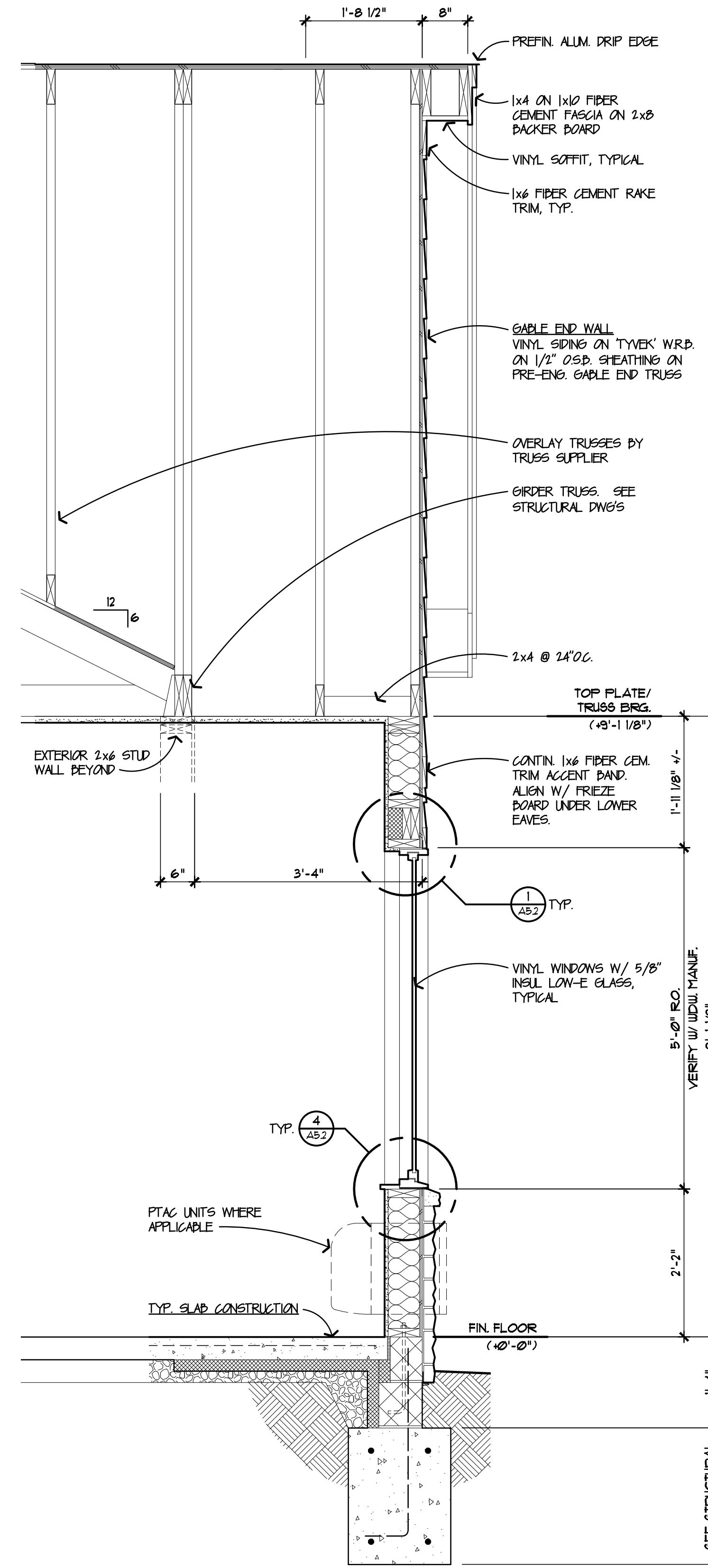
A3.3



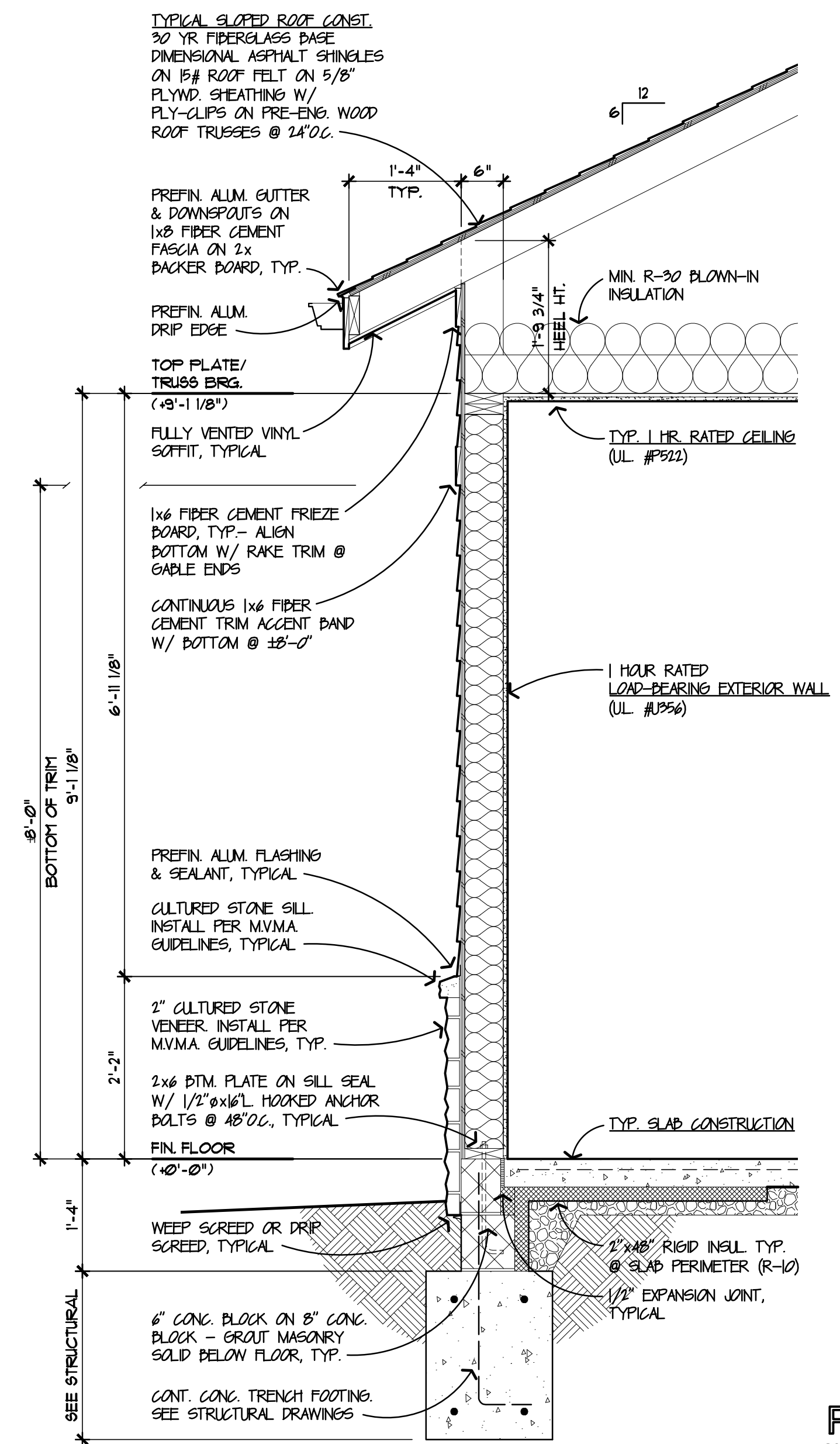
A
A3.4



B
A3.4



C
A3.4

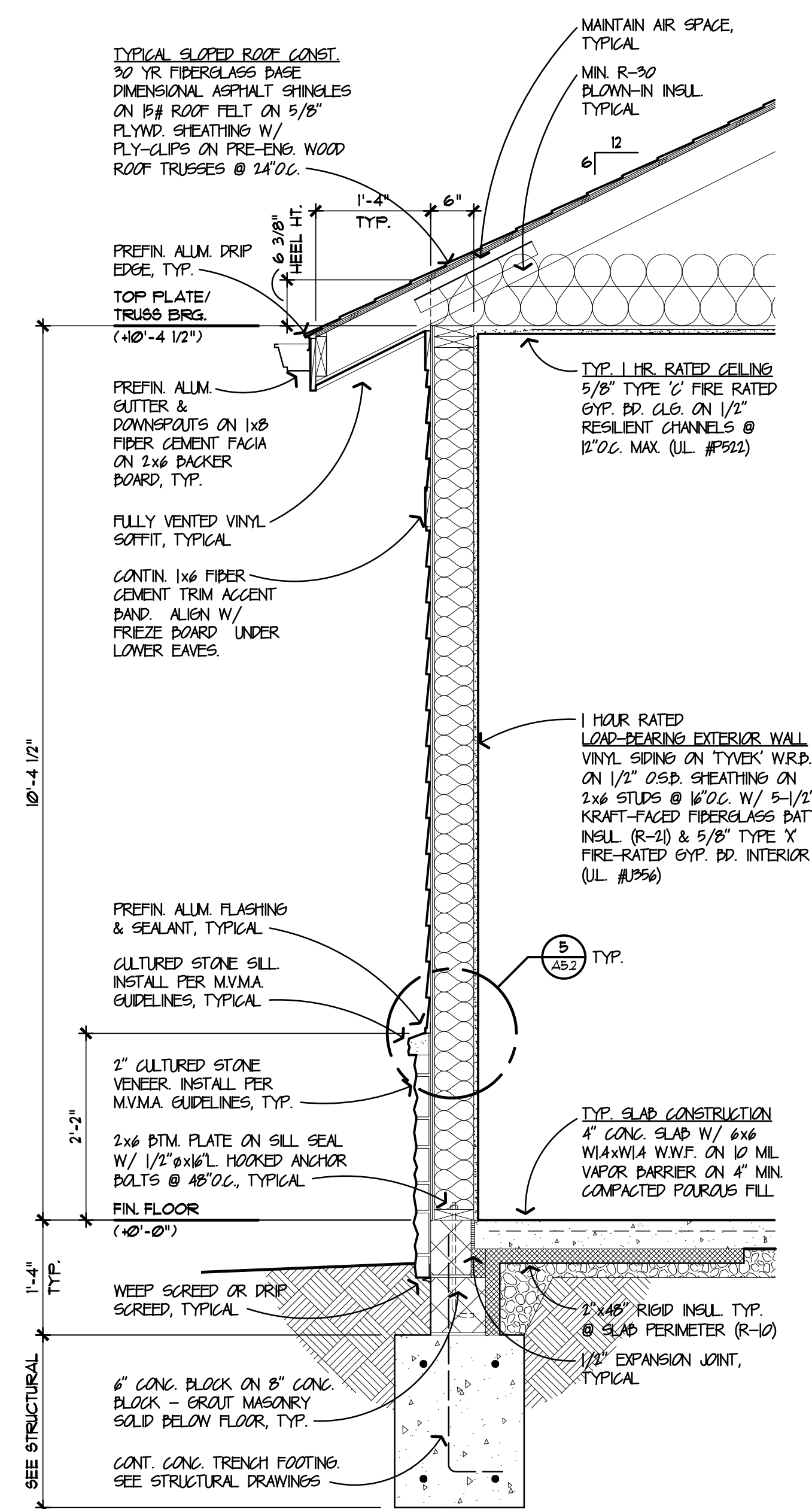


D
A3.4

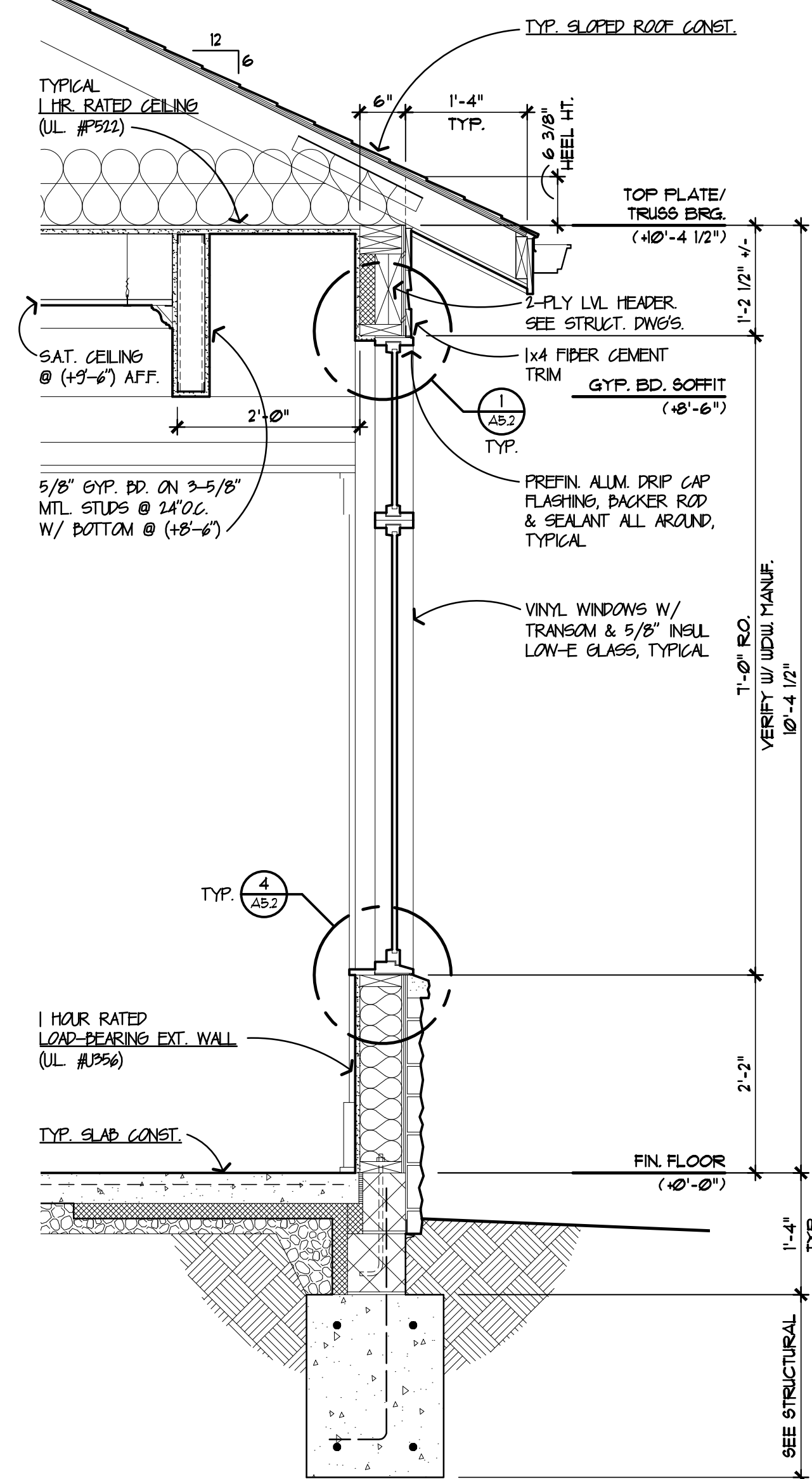
WALL SECTIONS
 SCALE: 3/4" = 1'-0"

NEW 90 BED SKILLED NURSING FACILITY
SMITH MOUNTAIN LAKE HEALTH & REHAB CENTER
 STATE RTE 616
 MONETA, FRANKLIN COUNTY, VIRGINIA

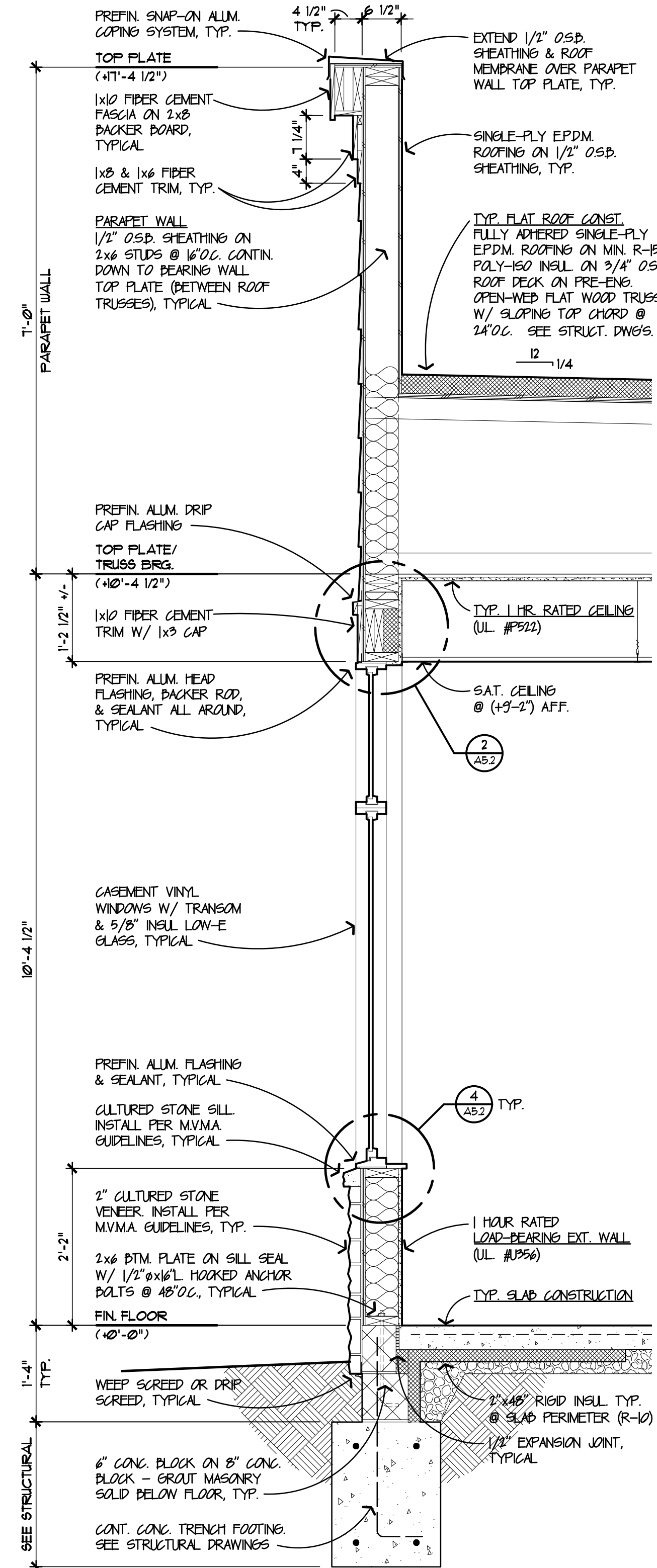
PRELIMINARY
 NOT FOR CONSTRUCTION



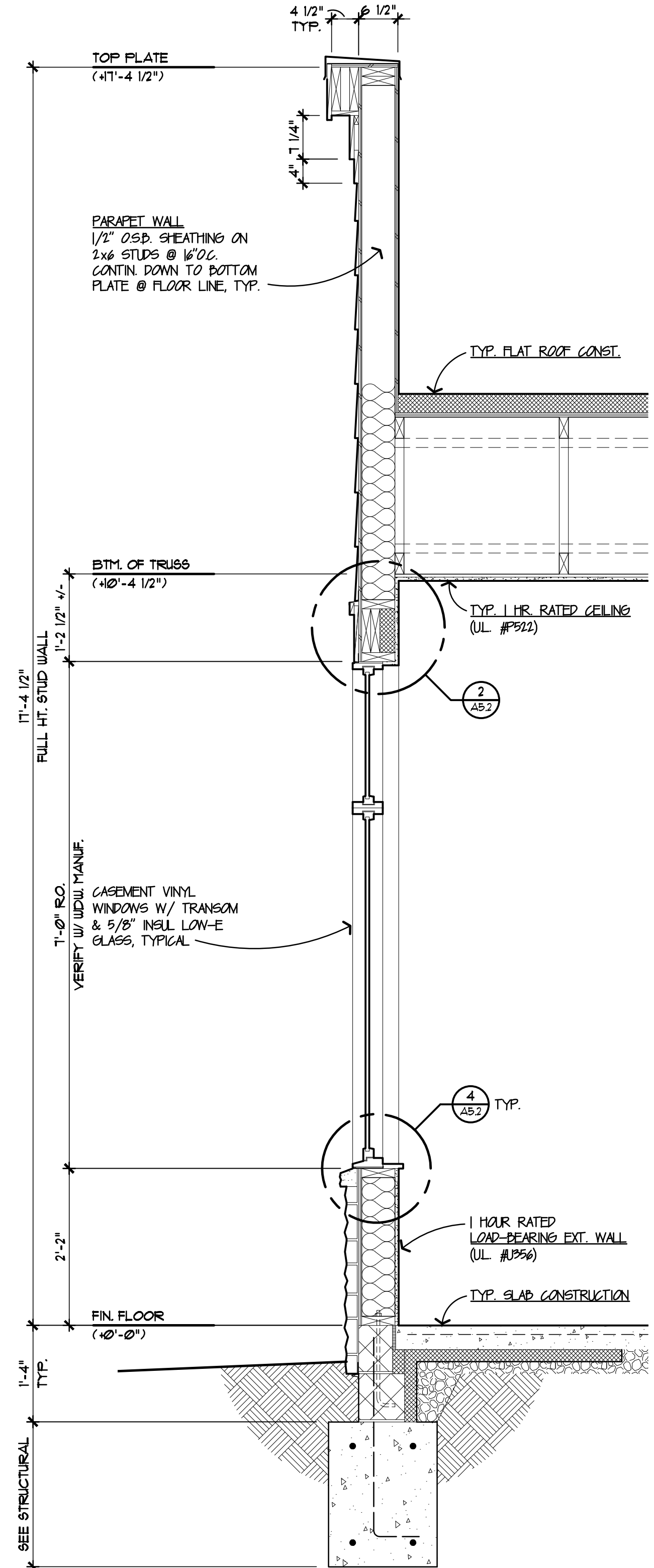
E
A35



F
A35

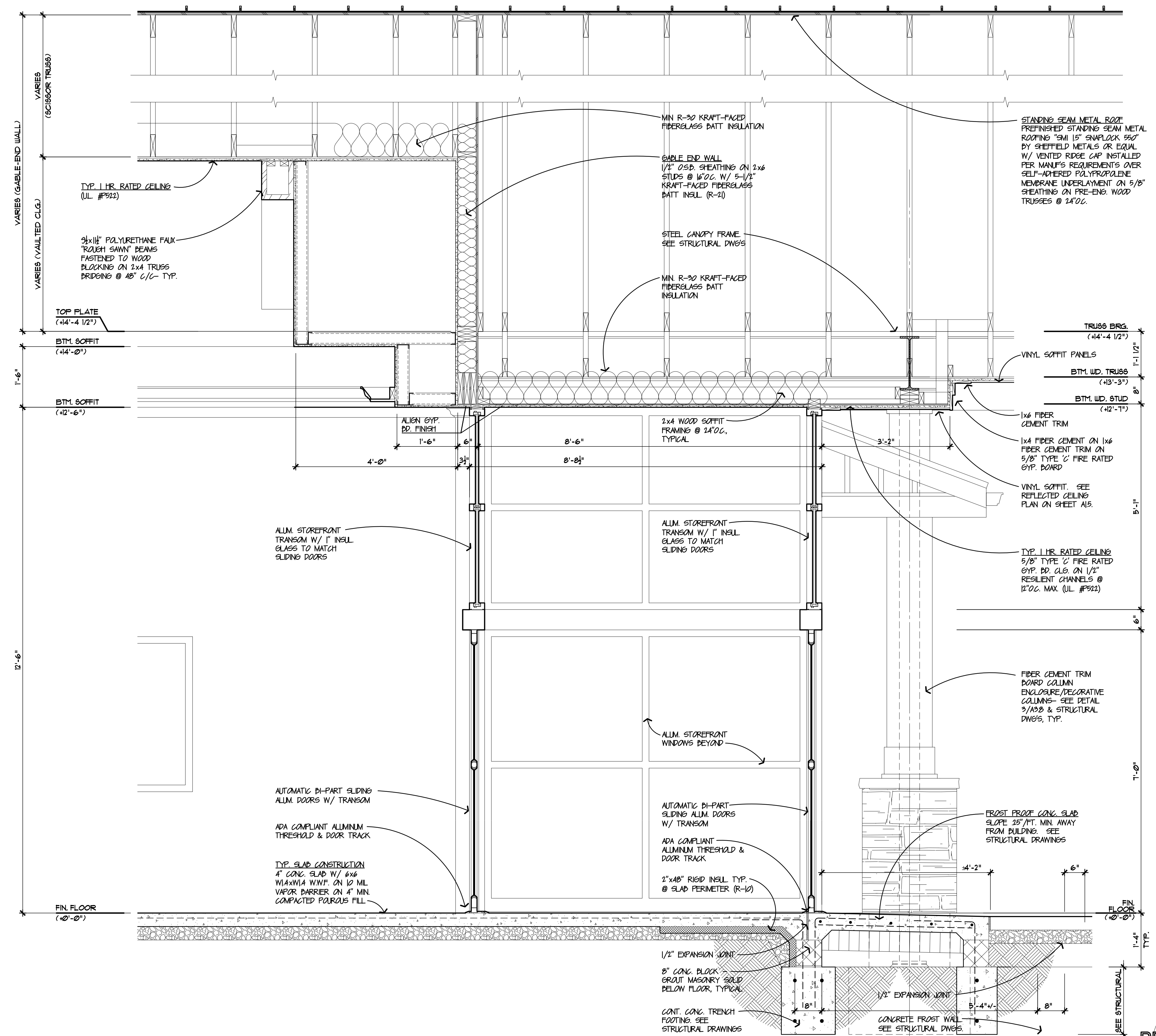
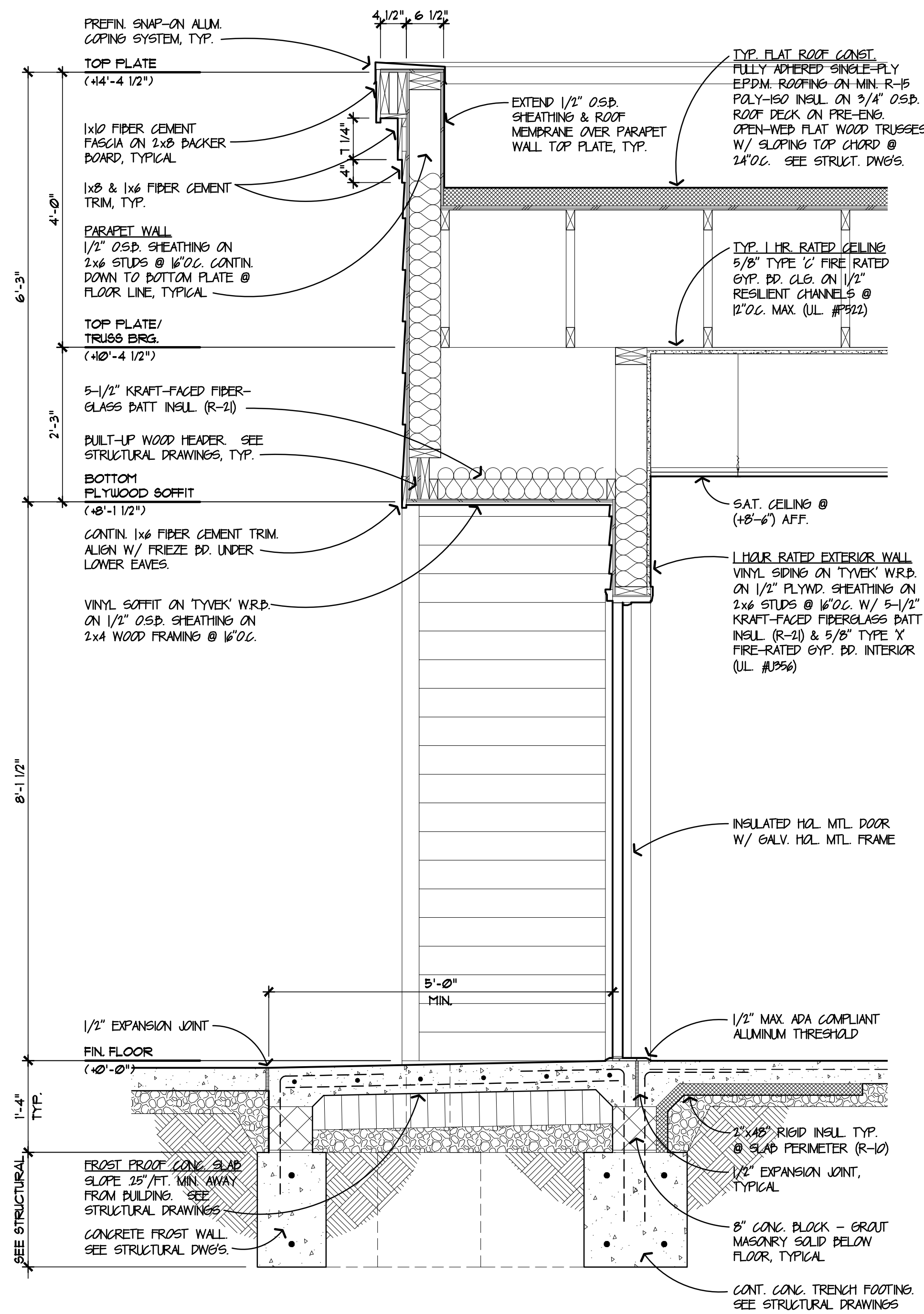


G
A35



H
A35

WALL SECTIONS
 SCALE: 3/4" = 1'-0"

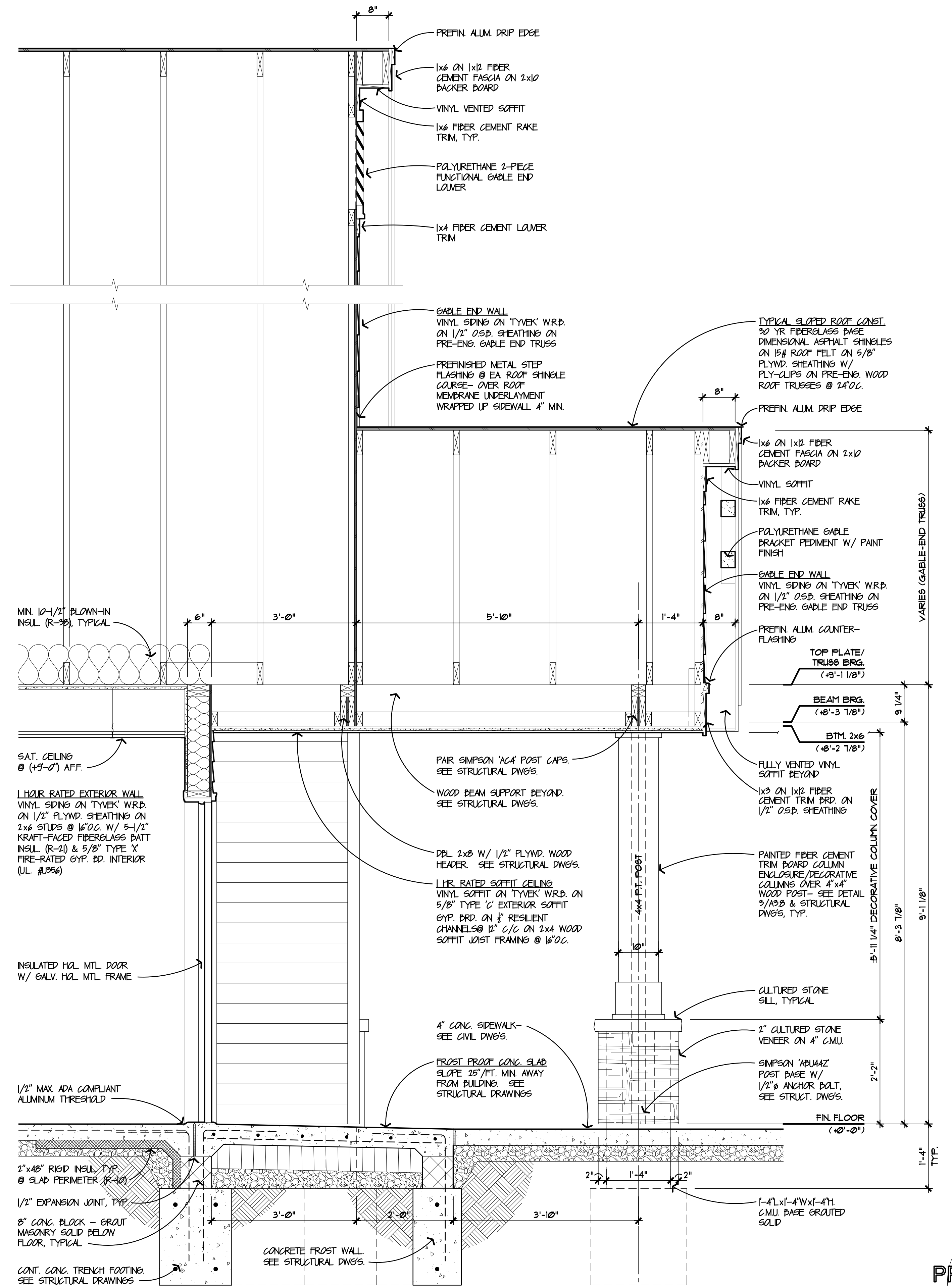
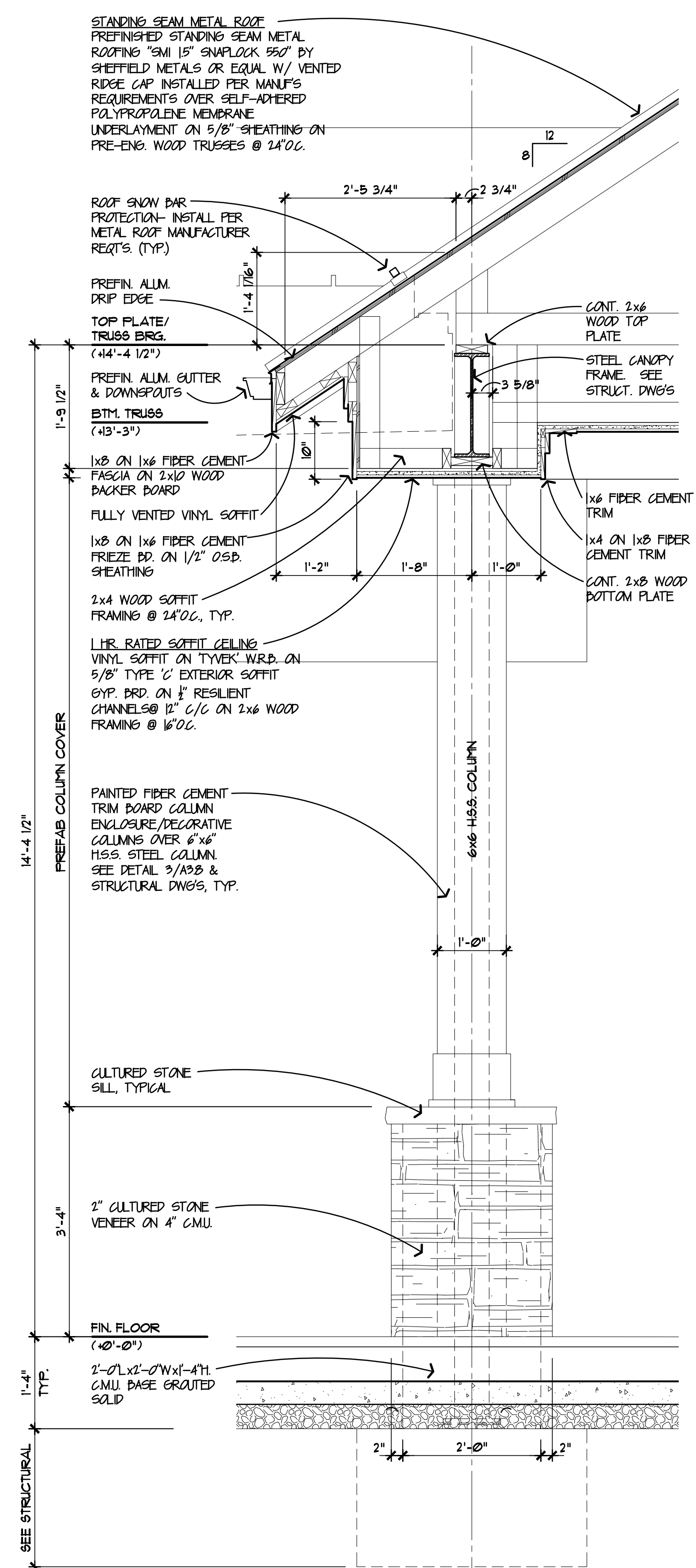
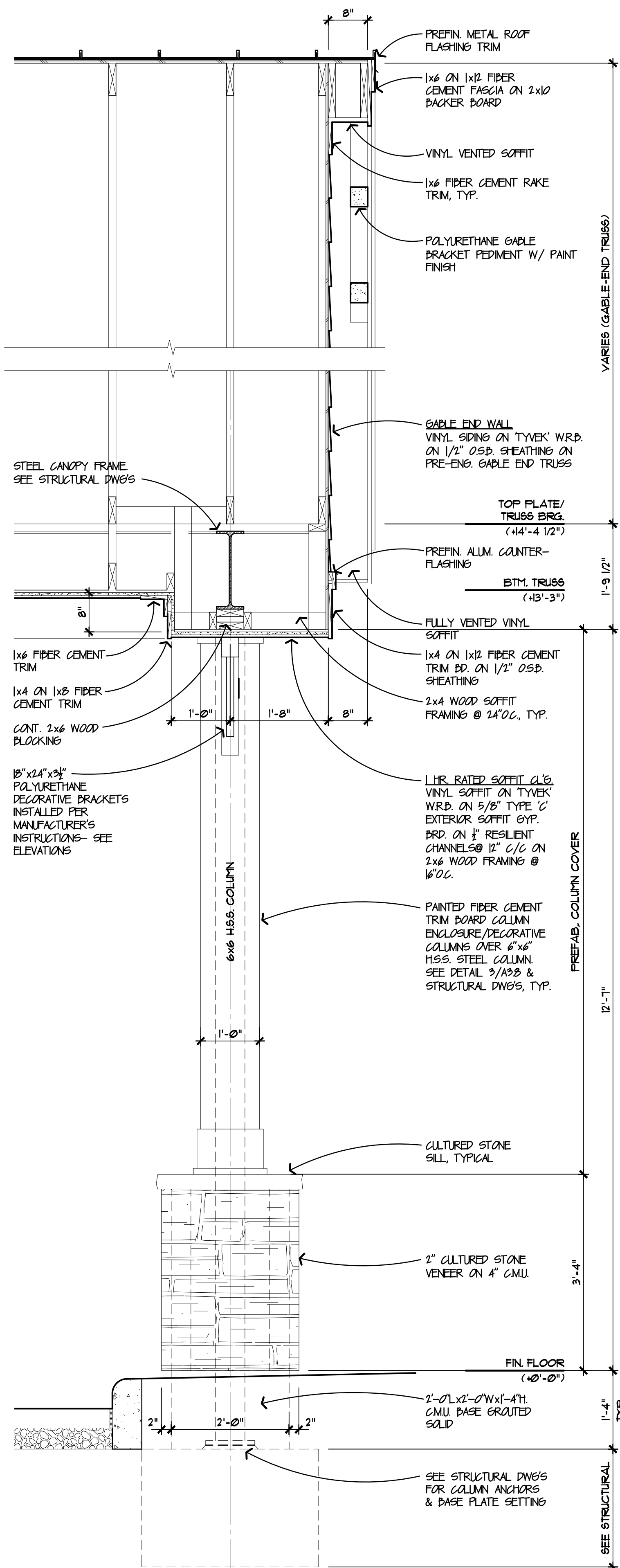


WALL SECTIONS

SCALE: 3/4" = 1'-0"

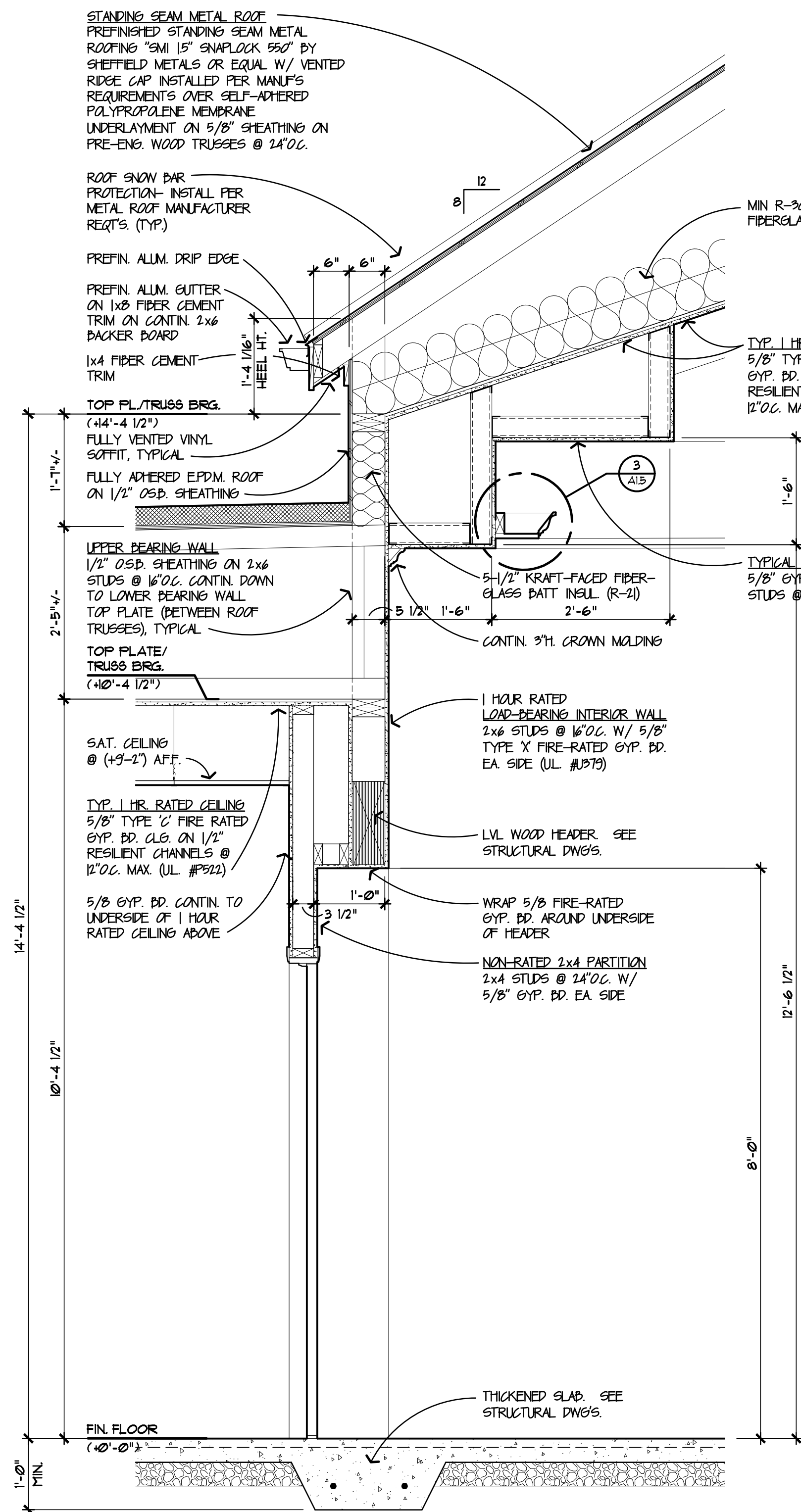
J
A3.6

K
A3.6



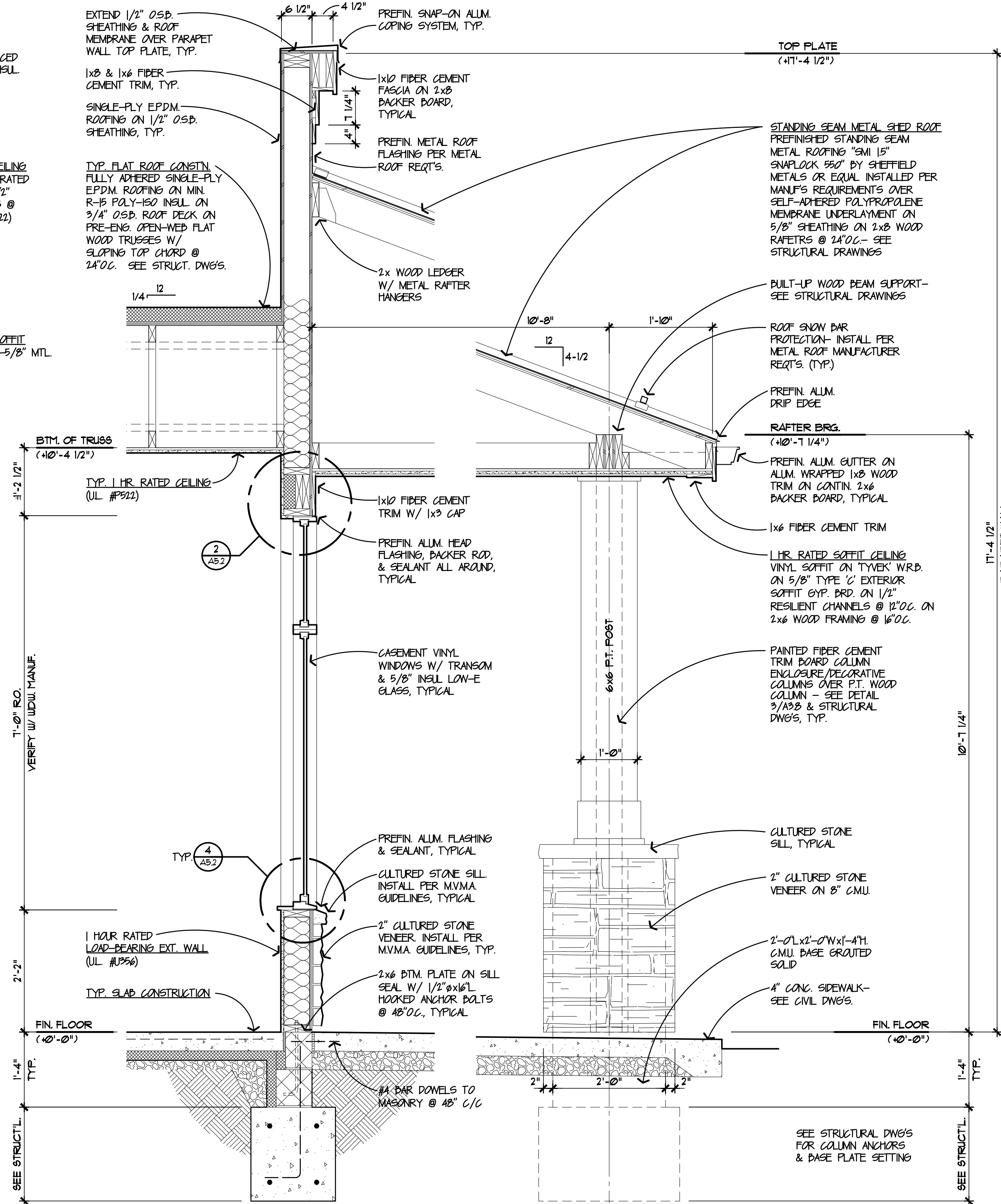
WALL SECTIONS

SCALE: 3/4" = 1'-0"

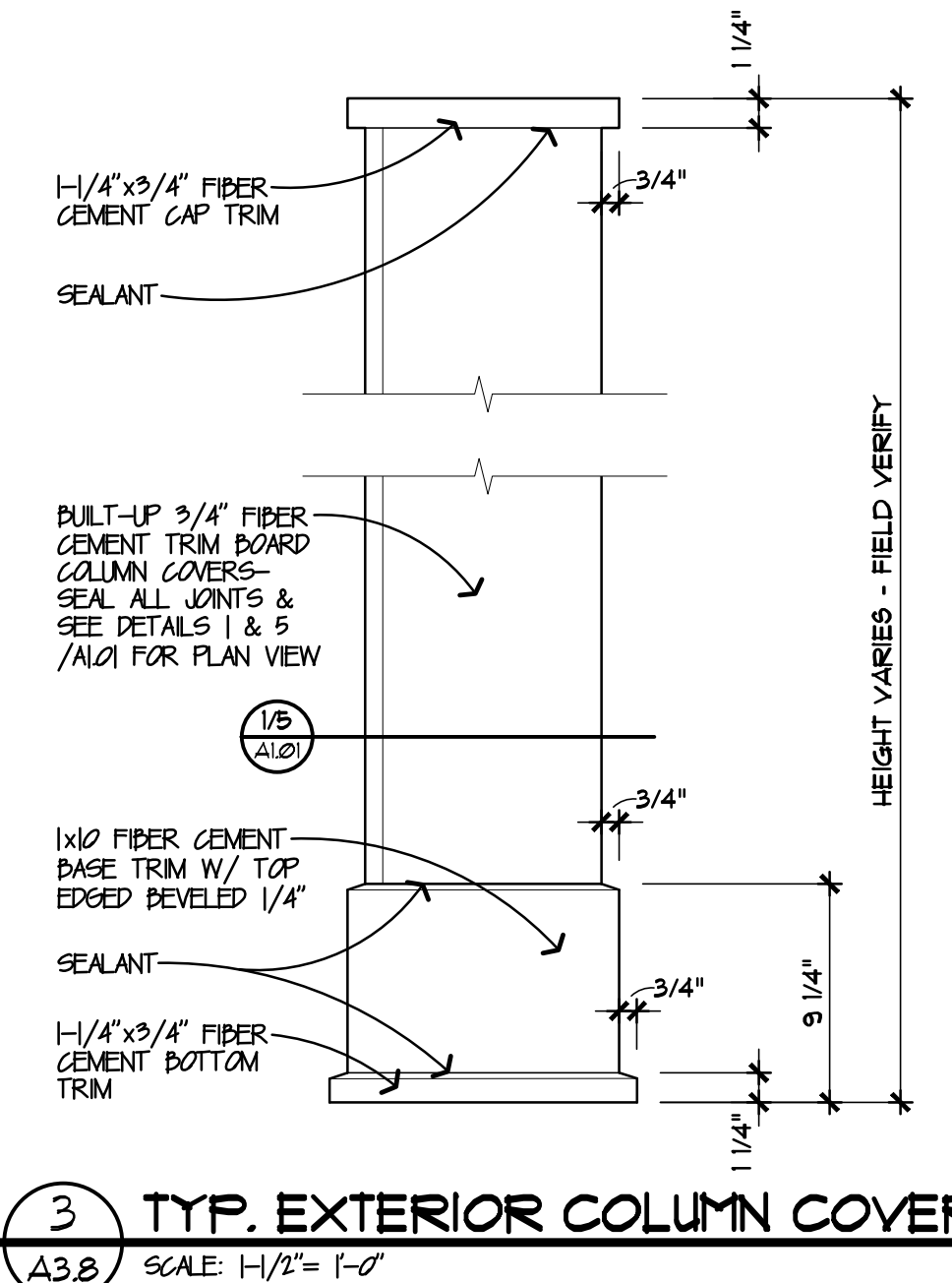


P
 A3.8

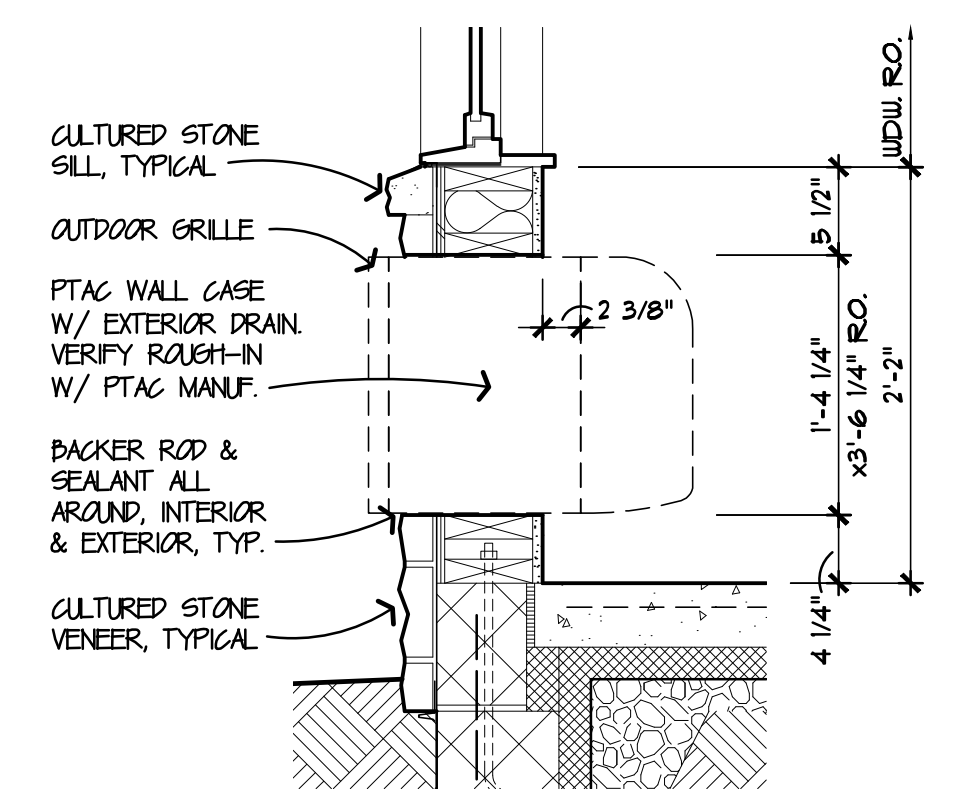
WALL SECTION
 SCALE: 3/4" = 1'-0"



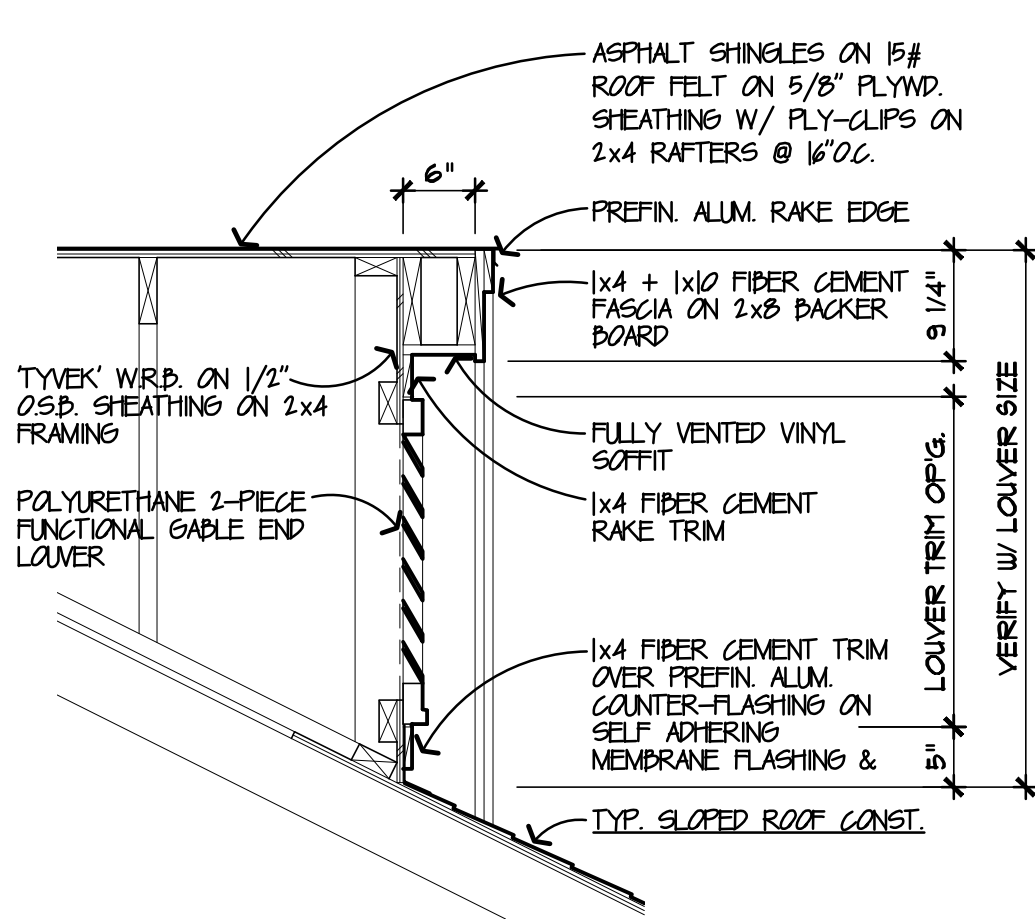
Q
 A3.8



3 TYP. EXTERIOR COLUMN COVER
 A3.8 SCALE: 1/2" = 1'-0"



2 TYPICAL PTAC UNIT
 A3.8 SCALE: 1" = 1'-0"



1 DORMER SECTION
 A3.8 SCALE: 1/2" = 1'-0"

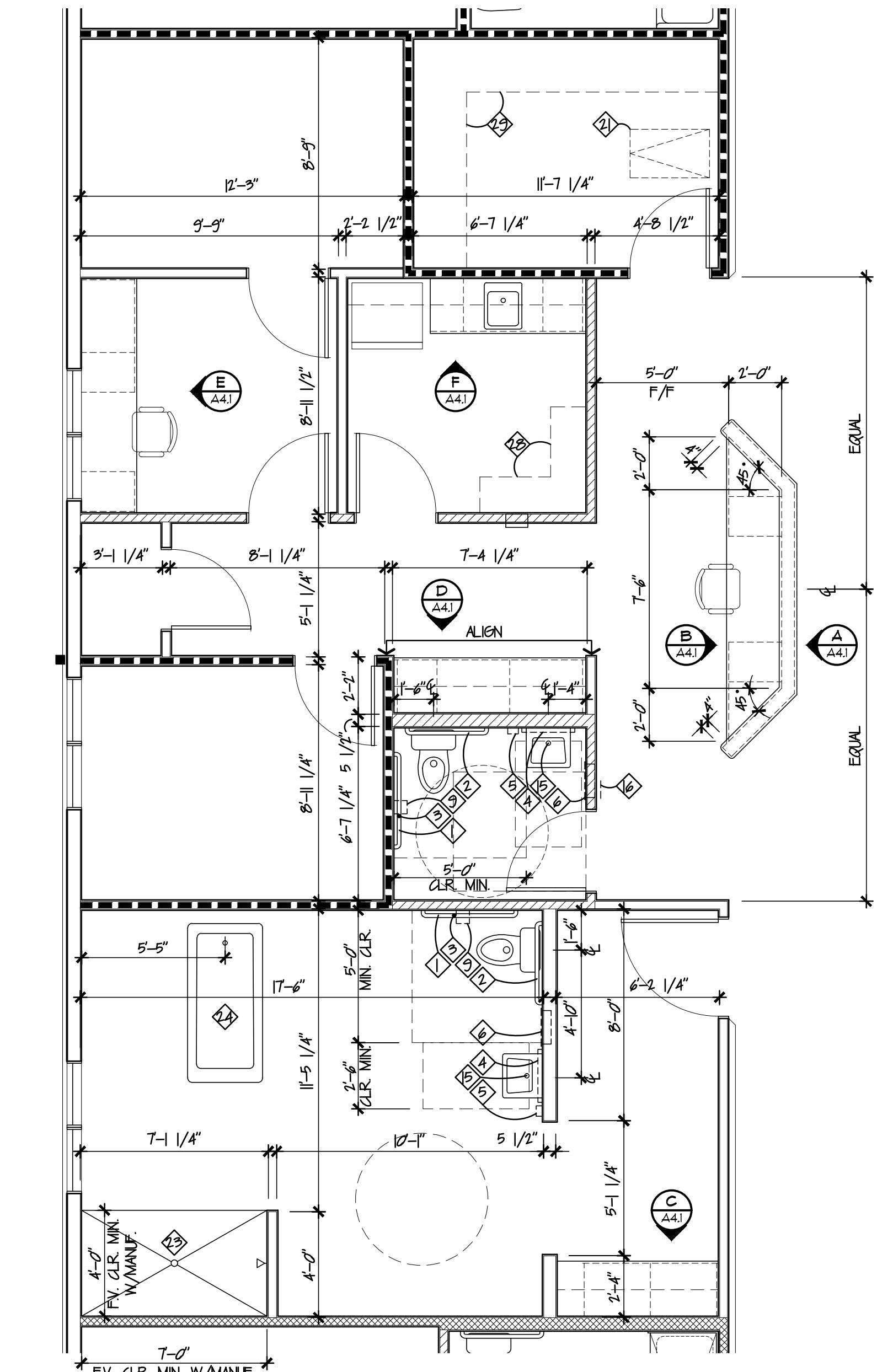
PRELIMINARY
 NOT FOR CONSTRUCTION

CABINET SPECIFICATIONS

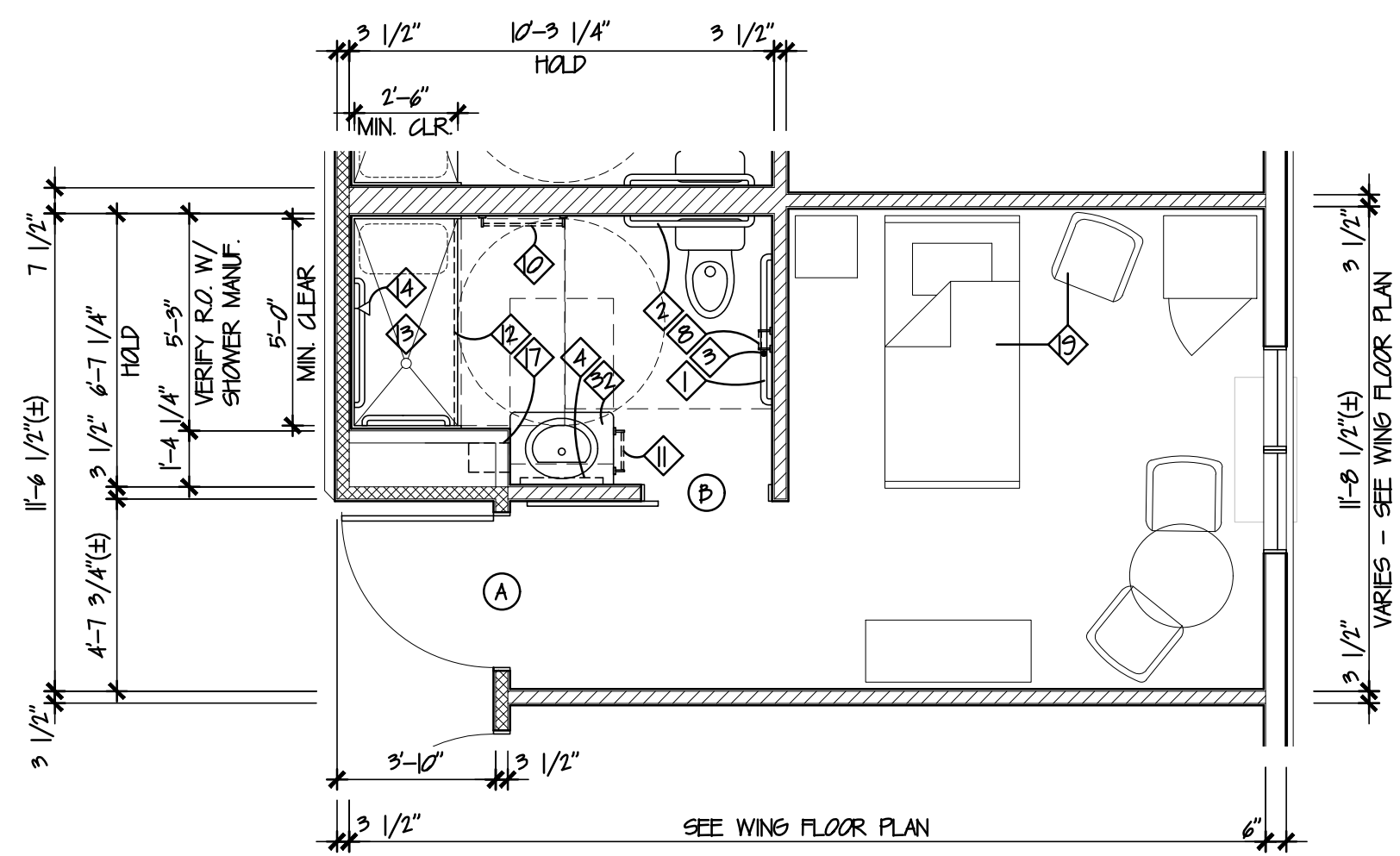
- CONTRACTOR TO FIELD VERIFY ALL DIMENSIONS AND CONDITIONS PRIOR TO CABINET FABRICATION.
- ALL APPLIANCES TO BE SUPPLIED BY OWNER. ALL FIXTURES TO BE PROVIDED BY CONTRACTOR-TYPICAL UNLESS NOTED OTHERWISE.
- LOBBY #C02, SERV. #N07/N07, & KITCHEN #C19 TO BE FRAMED WOOD CABINETS. WOOD SPECIES/FINISH AS SELECTED BY OWNER.
- CONSTRUCTION OF SHOP FABRICATED CABINETS TO BE PLASTIC LAMINATE FINISH ON HIGH DENSITY 3/4" PARTICLE BOARD WITH BALANCED CONSTRUCTION BOTH SIDES AND EDGES.
 - A. DOOR HINGES: CONCEALED FLUSH OVERLAY
 - B. DOOR/DRAWER EDGES: SQUARE EDGE P. LAM. TO MATCH EXT.
 - C. FULL STYLE: 5" METAL WIRE
 - D. DRAWER SLIDES: SIDE MOUNT DRAWER
 - E. BOX FINISH: MELAMINE/PLASTIC EDGES
 - F. OPEN INTERIOR: PLASTIC LAMINATE FINISH
 - G. CLOSED INTERIOR: MELAMINE WITH MATCHING BACK
 - H. EXPOSED SIDE: PLASTIC LAMINATE FINISH TOP/BOTTOM
 - J. EXTERIOR: PLASTIC LAMINATE FINISH
 - K. SHELF EDGE: EDGES FINISHED WITH STANDARD PLASTIC EDGE
 - L. TIE BACK: UNIT SIDE PANEL NOTICED FOR PAGE
 - M. LOCKS: AS REQUIRED BY OWNER. TO BE REAR SURFACE MOUNT CYLINDER LOCKS WITH THROW PLATES AND KEYS.
- PLASTIC LAMINATE FINISHES TO BE WILSONART, FORMICA, OR EQUAL. COLOR(S)/PATTERN(S) TO BE SELECTED.
- PROVIDE 1/2" MIN. RADIUS ON OUTSIDE CORNERS OF ALL COUNTERTOPS.
- GC TO PROVIDE ALL CONCEALED WOOD BLOCKING NECESSARY FOR MILLWORK INSTALLATION. COORDINATE LOCATIONS W/ MILLWORK CONTRACTOR.
- CONTRACTOR TO VERIFY ALL APPLIANCE & EQUIPMENT SIZES & CLEARANCES W/ MANUF. PRIOR TO MILLWORK FABRICATION.
- CONTRACTOR TO SUBMIT DETAILED SHOP DRAWINGS TO ARCHITECT FOR APPROVAL PRIOR TO FABRICATION.

KEYNOTE LEGEND

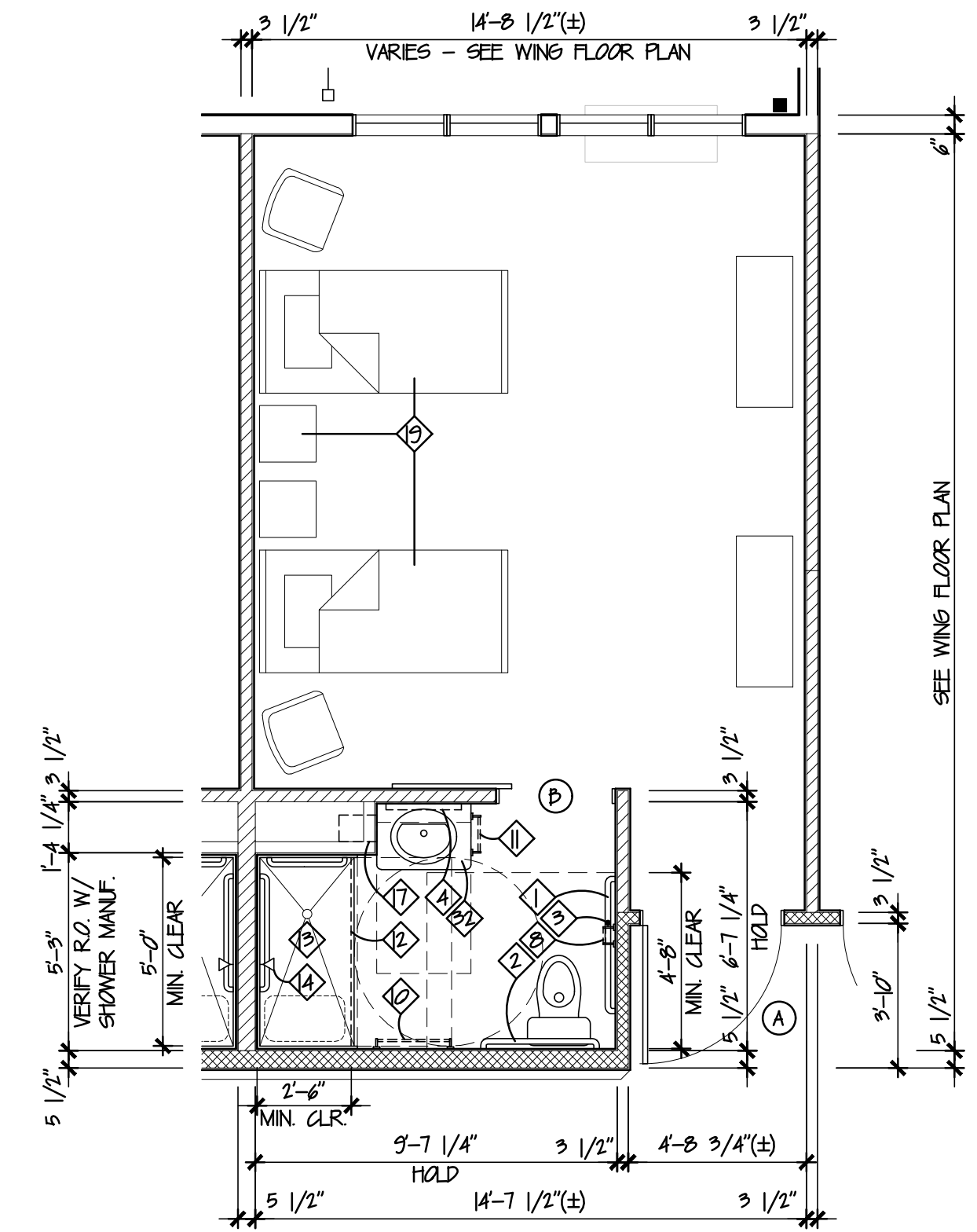
- 1 DOBRUCK #B-5006X4B WALL MOUNTED 1-1/4" DIA. 42" L GRAB BAR
- 2 DOBRUCK #B-5006X36 WALL MOUNTED 1-1/4" DIA. 36" L GRAB BAR
- 3 DOBRUCK #B-5006X18 WALL MOUNTED 1-1/4" DIA. 18" L GRAB BAR MOUNTED VERTICALLY
- 4 DOBRUCK #B-165 24" W. x 36" H. STAINLESS STEEL FRAMED MIRROR
- 5 DOBRUCK #B-2111 SURFACE MOUNTED SOAP DISPENSER
- 6 DOBRUCK #B-3640 RECESSED PAPER TOWEL DISPENSER / WASTE RECEPT, 600 C-FOLD OR 800 MULTIFOLD TOWEL CAPACITY, 6 GAL WASTE
- 7 DOBRUCK #B-2944 RECESSED PAPER TOWEL DISPENSER / WASTE RECEPT, 600 C-FOLD OR 800 MULTIFOLD TOWEL CAPACITY, 12 GAL WASTE
- 8 DOBRUCK #B-8051 SURFACE MOUNTED TOILET TISSUE DISPENSER
- 9 DOBRUCK #B-2888 SURFACE MOUNTED MULTI-ROLL TOILET TISSUE DISPENSER
- 10 DELTA #T5910 SURFACE MOUNTED 24" L TOWEL BAR. INSTALL WITH TOP AT +48" AFF.
- 11 DELTA #T5910 SURFACE MOUNTED 12" L TOWEL BAR. INSTALL ON SIDE OF VANITY OR WITH TOP @ +48" AFF.
- 12 DOBRUCK #B-207X60 SHOWER CURTAIN ROD W/ CONCEALED MOUNTING, VERIFY W/ OWNER
- 13 60"x30" ONE PIECE ROLL-IN WHITE FIBERGLASS SHOWER W/ KER BY MAX #OPS-6030 OR APPROVED EQUAL W/ FACTORY INSTALLED L-SHAPED GRAB BARS, FOLD DOWN SEAT, & RECESSED SOAP DISH. RECESS INTO FLOOR SLAB AS REQD. FOR MAX 1/2" THRESHOLD.
- 14 HANDED SHOWER ON SLIDE BAR & SHOWER CONTROLS - SEE ADA INSTALLATION DETAILS THIS SHEET & PLUMBING DWGS. FOR MORE INFORMATION PROVIDE MOLDED INSULATION PIPE COVER AT EXPOSED LAVATORY PLUMBING
- 15 PROVIDE WALL MOUNTED SIGNAGE FOR ACCESSIBLE RESTROOMS PER VCC III & ADAG 430
- 16 RECESSED MILLWORK W/ SHELVES, SEE DETAIL 17/A43
- 17 DOOR CONTROL KEYPAD OR PUSH PLATE
- 18 FURNISHINGS BY OWNER, TYPICAL
- 19 BUILT-IN CASEWORK, SEE DRAWINGS M1 & M2
- 20 1 HOUR RATED 22"x36" ATTIC ACCESS PANEL BY NYSTRON OR EQUAL
- 21 6" H. CONCRETE HOUSEKEEPING PAD
- 22 4Wx7Lx8H. CERAMIC TILE SHOWER BASE & WALLS
- 23 WHIRLPOOL BATH UNIT, SEE PLUMBING DRAWINGS FOR ADDITIONAL INFORMATION
- 24 HANDRAIL, TYPICAL IN 8'-0" RESIDENTIAL CORRIDORS - SEE DETAIL 18/A43
- 25 10' SQ. X7'-8" H. DECORATIVE COLUMN W/ CAP AND BASE - SEE DETAIL 1/A42
- 26 (5) 16" D. ADJUSTABLE SHELVES IN RECESSED STANDARDS, 3/4" PARTICLE BD. W/ PLASTIC LAMINATE FINISH
- 27 (5) 48"x48"x16"D. EPOXY COATED WIRE SHELVING ON HEAVY DUTY BRACKETS, MOUNT AT 48" O.C.
- 28 (5) 24" D. EPOXY COATED WIRE SHELVING ON HEAVY DUTY BRACKETS, MOUNT AT 48" O.C.
- 29 1 HOUR RATED 30"x36" ROOF HATCH, SEE DETAIL 1/A402
- 30 TWO-SIDED FIREPLACE W/ HEARTH, SEE DETAIL 20/A43
- 31 SOLID SURFACE COUNTERTOP W/ INTEGRAL SINK & BACKSPASH. BID AS ALTERNATE: CULTURED MARBLE
- 32 SHEAR WALL, SEE STRUCTURAL DRAWINGS
- 33 DOBRUCK #B-299X24 SHELF W/ MOP & BROOM HOLDERS AND HOOKS



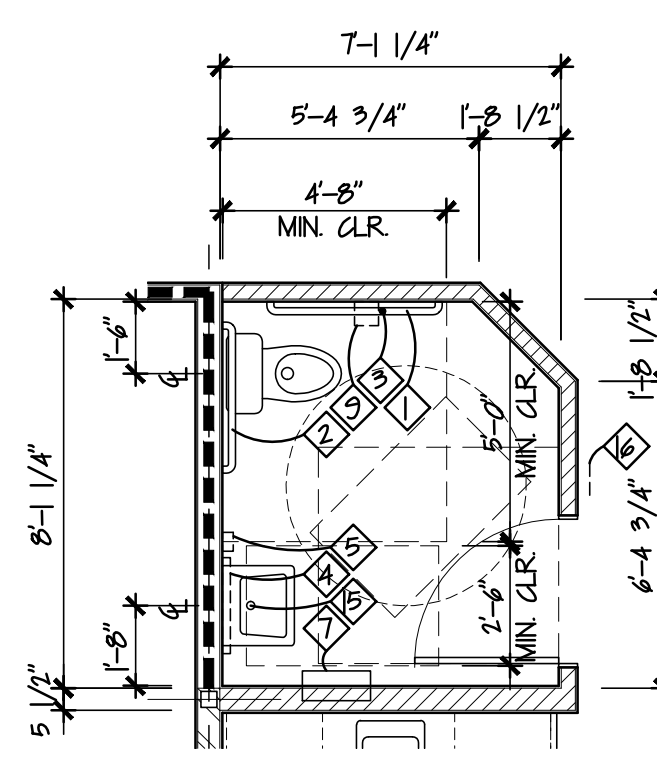
1 NURSE AREA
 A4.1 SCALE: 1/4"=1'-0"



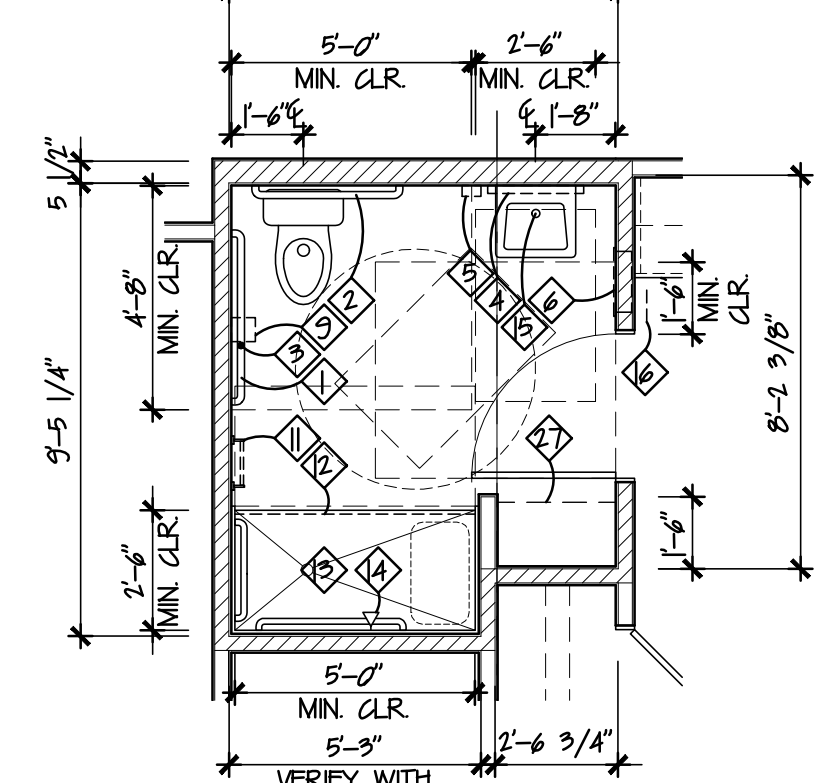
A PRIVATE ROOM 'A' & 'A2'
 A4.1 SCALE: 1/4"=1'-0"



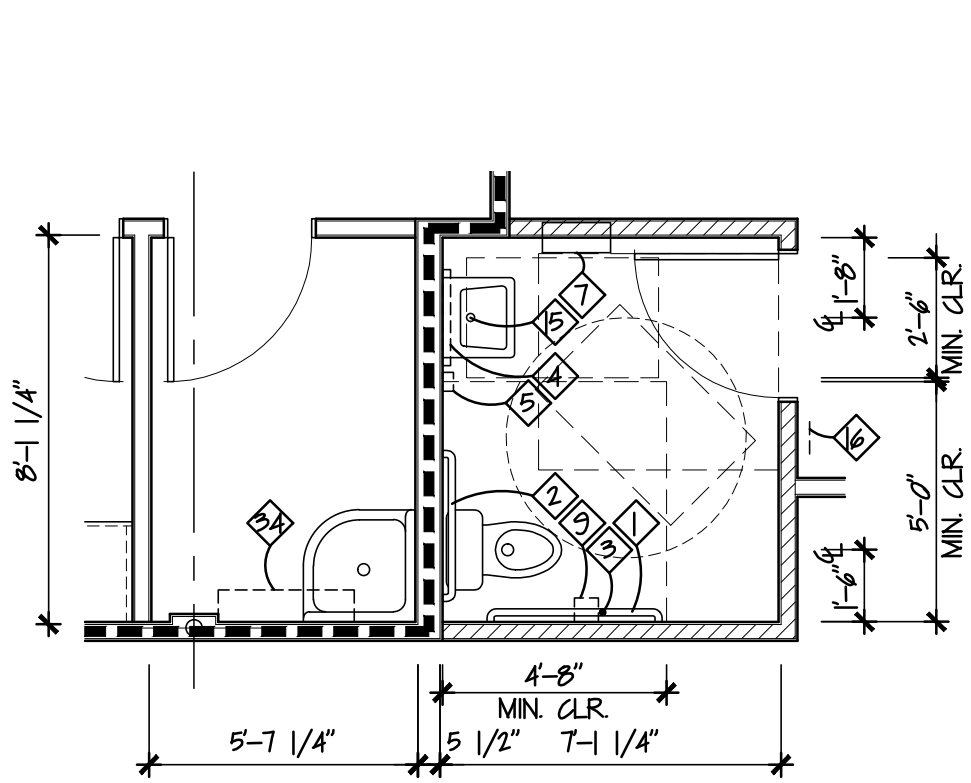
B SEMI-PRIVATE ROOM 'B' & 'B2'
 A4.1 SCALE: 1/4"=1'-0"



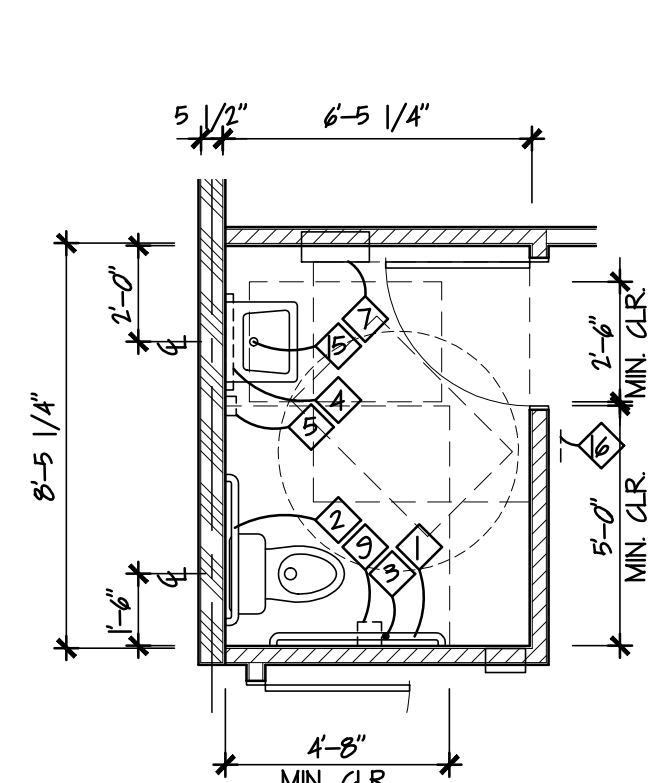
2 MEN'S *C01
 A4.1 SCALE: 1/4"=1'-0"
 WOMEN'S #C06 OPPOSITE



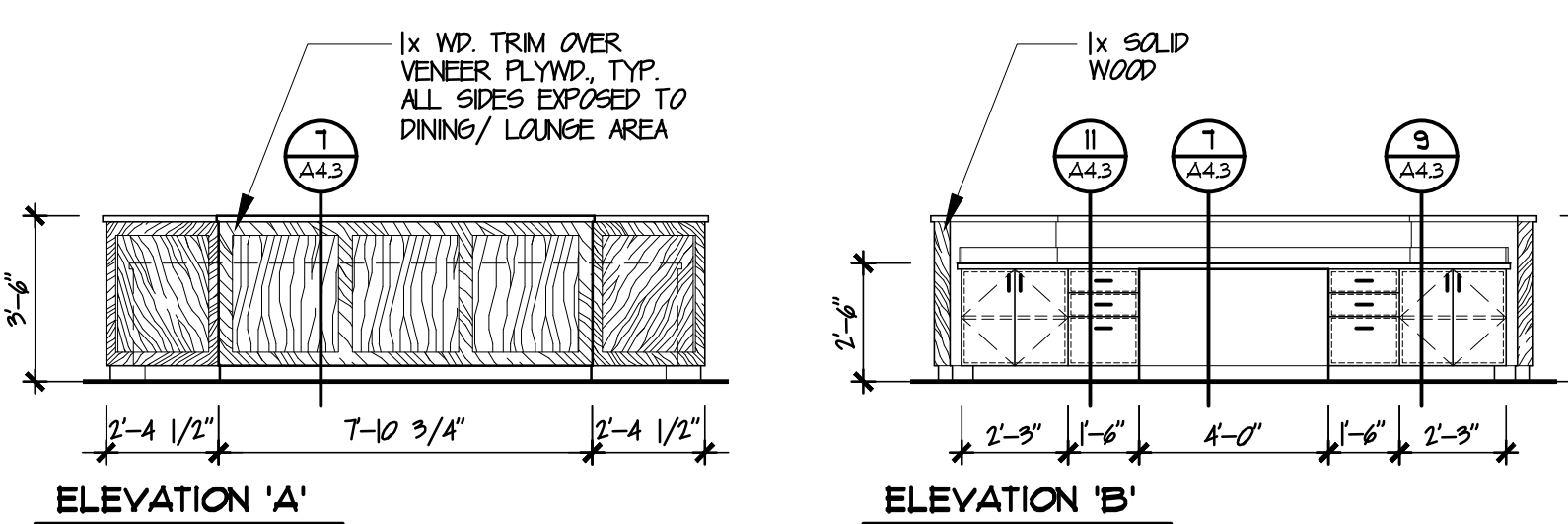
3 BATH *C14
 A4.1 SCALE: 1/4"=1'-0"



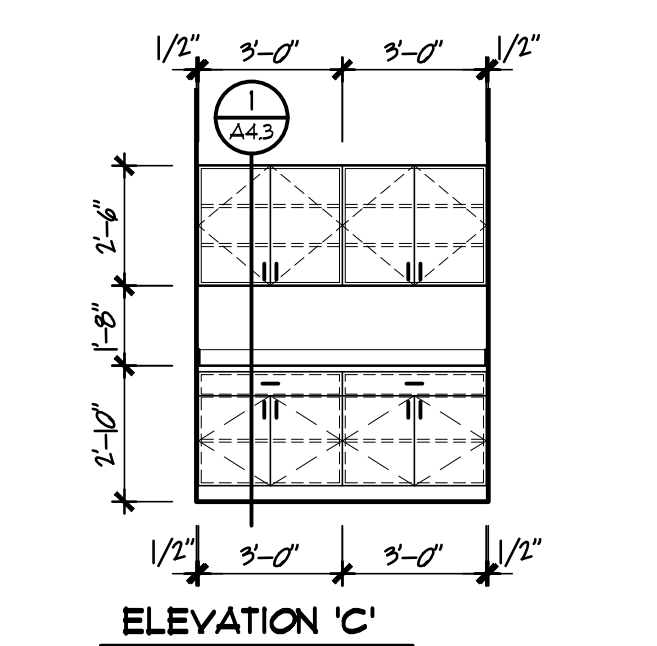
4 LAY. *C18 DETAIL
 A4.1 SCALE: 3/4"=1'-0"



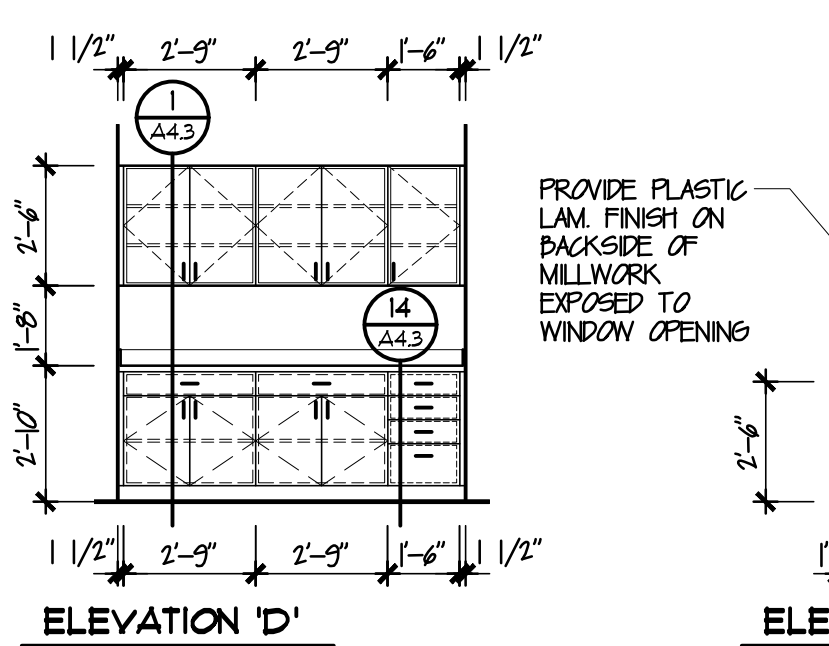
5 LAY. *C34
 A4.1 SCALE: 1/4"=1'-0"



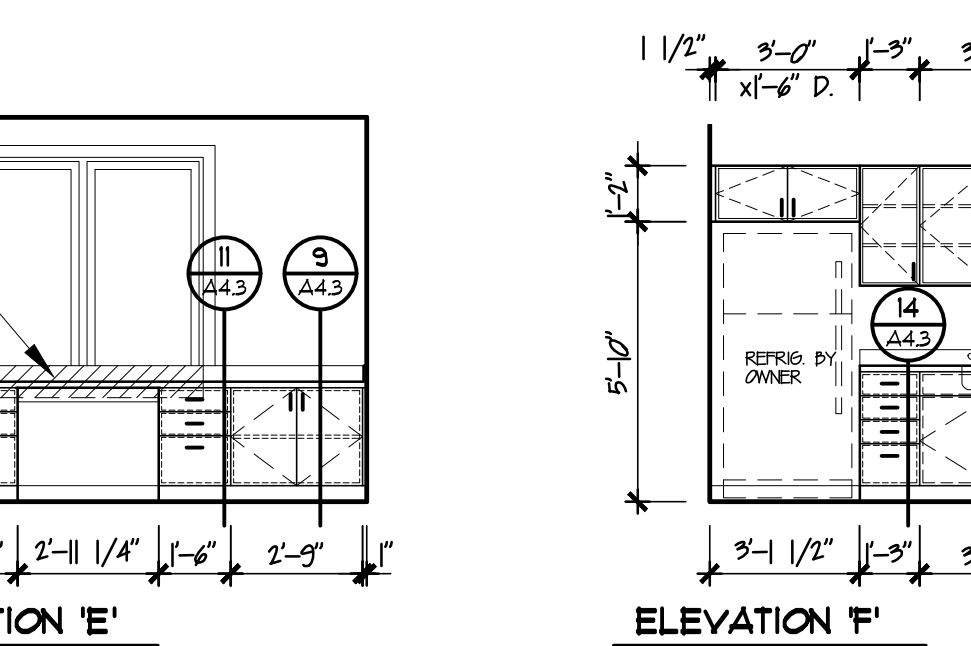
NURSE N06/W06
 SCALE: 1/4"=1'-0"



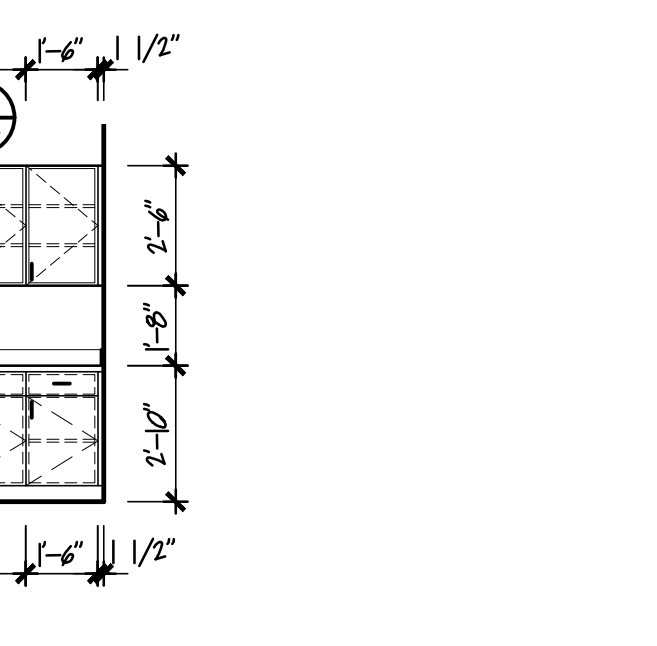
SPA N08/W08
 SCALE: 1/4"=1'-0"



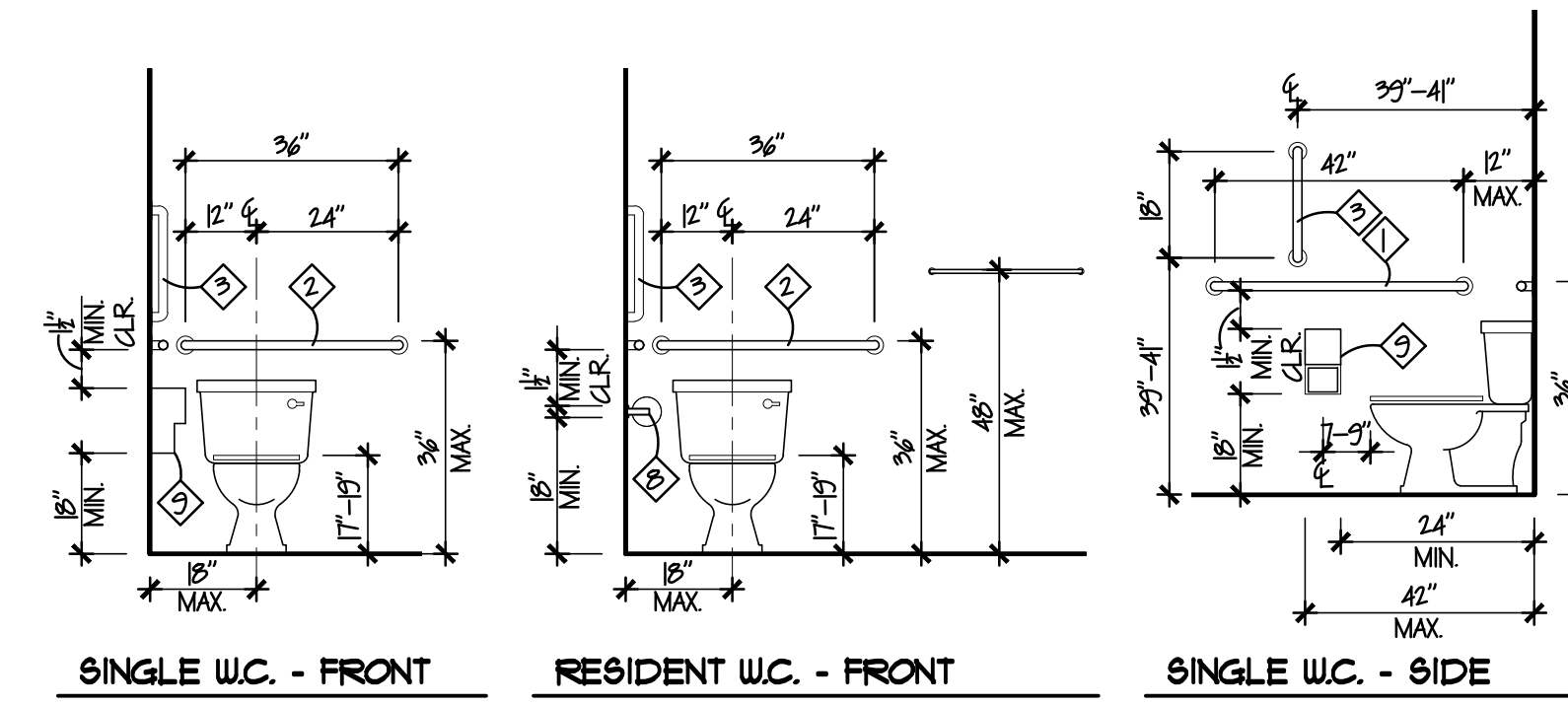
HALL N11/W11
 SCALE: 1/4"=1'-0"



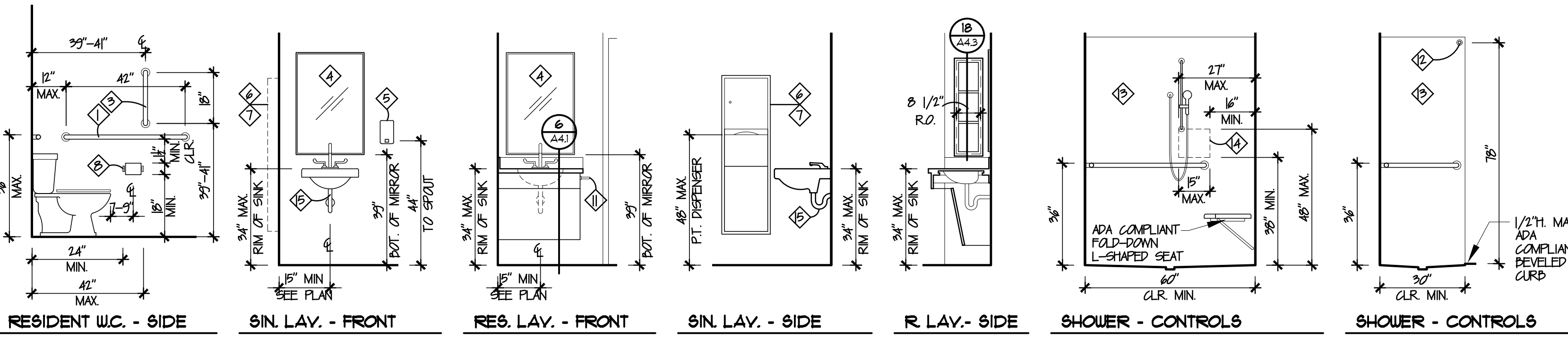
CHARTS N12/W12
 SCALE: 1/4"=1'-0"



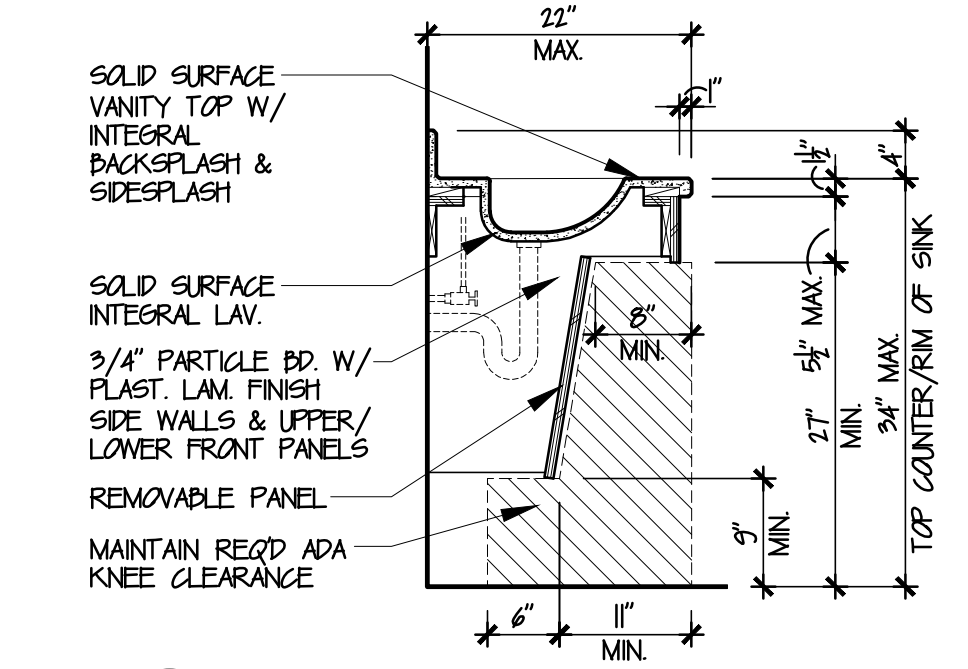
MEDS. N13/W13
 SCALE: 1/4"=1'-0"



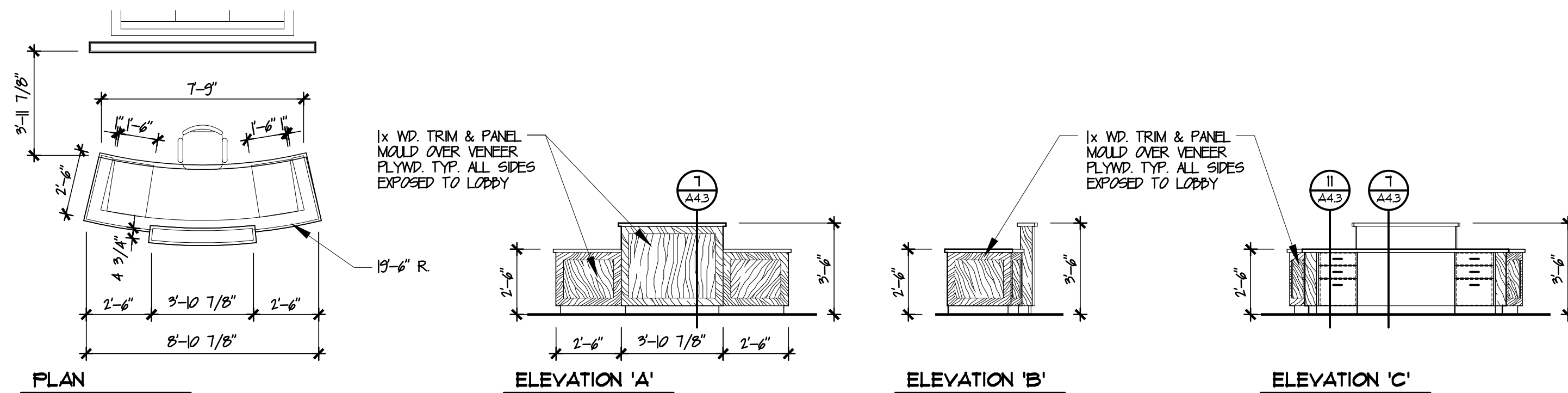
TYPICAL ADA INSTALLATION DETAILS
 SCALE: 3/8"=1'-0"



6 LAY. DETAIL
 A4.1 SCALE: 3/4"=1'-0"

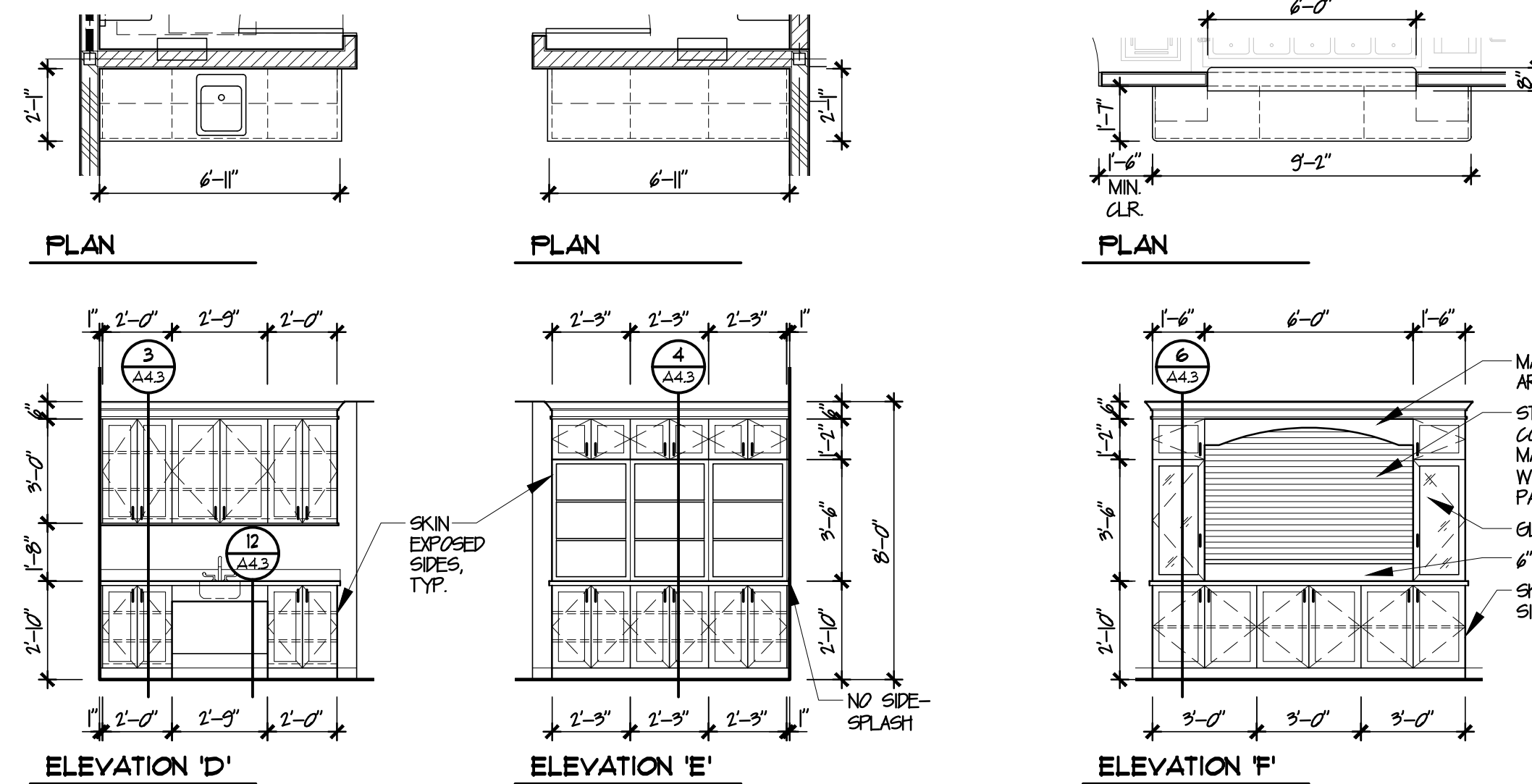


6 LAY. DETAIL
 A4.1 SCALE: 3/4"=1'-0"



RECEPTION #C02

SCALE: 1/4"=1'-0"

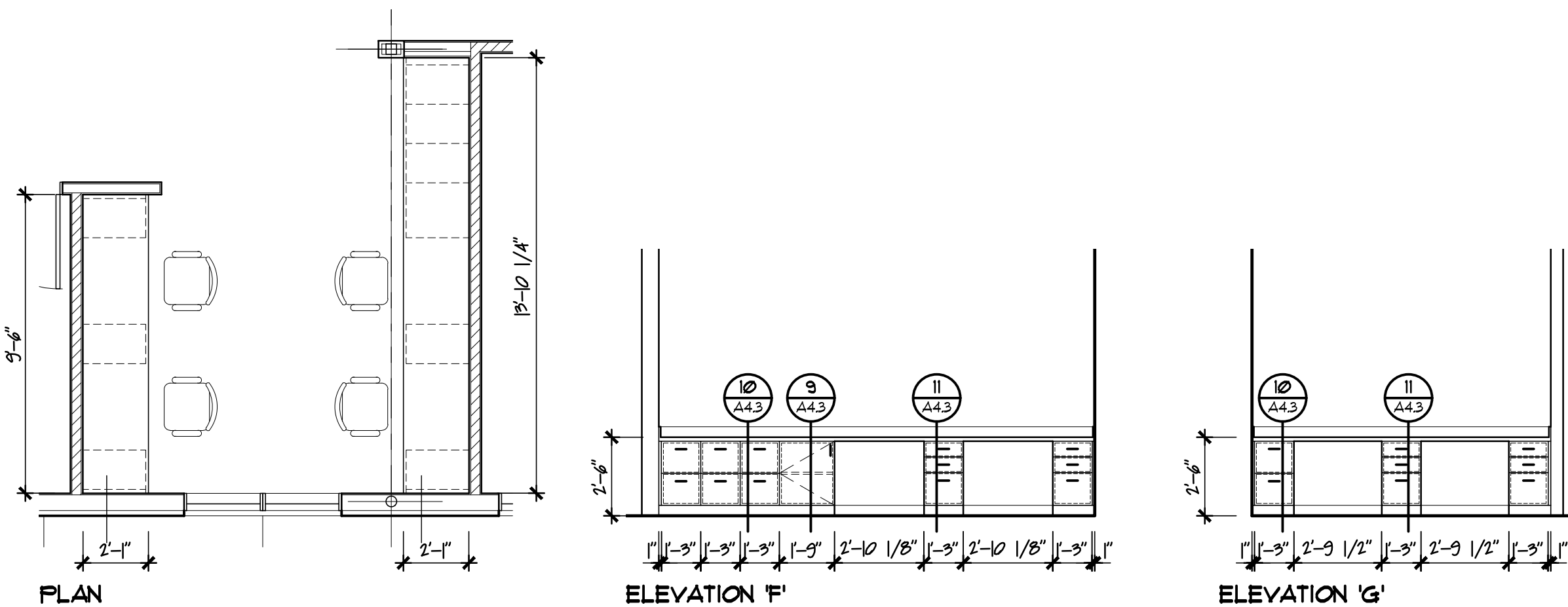


LOBBY #C03

SCALE: 1/4"=1'-0"

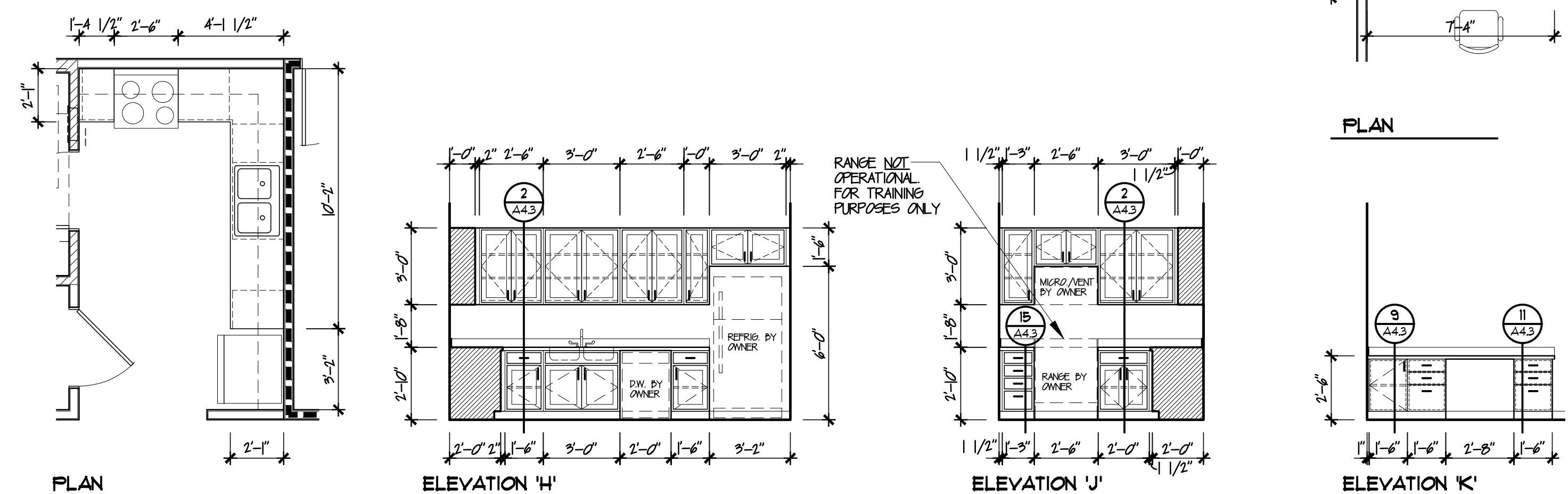
SERVERY #N01/W01

SCALE: 1/4"=1'-0"



OFFICE #C10

SCALE: 1/4"=1'-0"

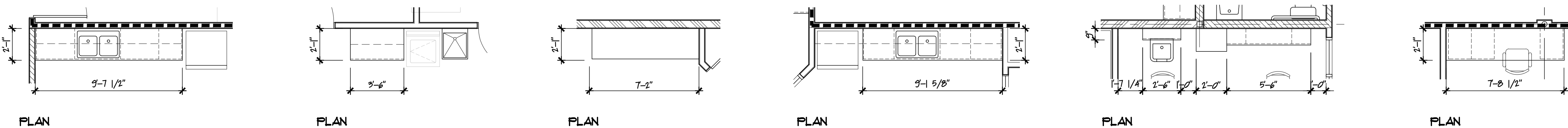


KITCHEN #C13

SCALE: 1/4"=1'-0"

OFFICE #C19

SCALE: 1/4"=1'-0"



LOUNGE #C21

SCALE: 1/4"=1'-0"

LAUNDRY #C28

SCALE: 1/4"=1'-0"

LAUNDRY #C29

SCALE: 1/4"=1'-0"

ACTIVITY #C31

SCALE: 1/4"=1'-0"

SALON #C33

SCALE: 1/4"=1'-0"

OFFICE #C36

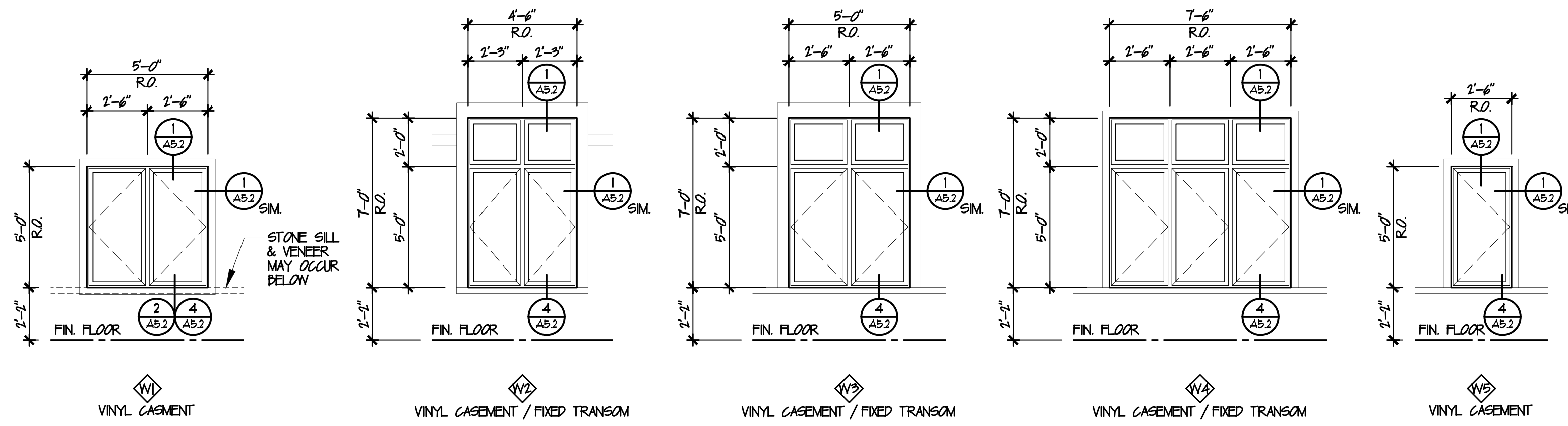
SCALE: 1/4"=1'-0"

VINYL WINDOW SPECIFICATIONS

CASEMENT/FIXED UNITS
 EXTRUDED VINYL FRAME W/ 3/4" LOW E INSULATED GLASS, NAILING FIN, STANDARD LATCH HARDWARE, & FIBERGLASS SCREENS. 'LED-WEN PREMIUM VINYL WINDOW OR APPROVED EQUAL' COLOR TO BE SELECTED. VERIFY ALL ROUGH OPENINGS W/ MANUFACTURER. AT RESIDENT ROOM WINDOWS, PROVIDE WINDOW HARDWARE AS REQUIRED SUCH THAT MINIMUM EGRESS OPENING SIZE OF 20"x24" IS PROVIDED.

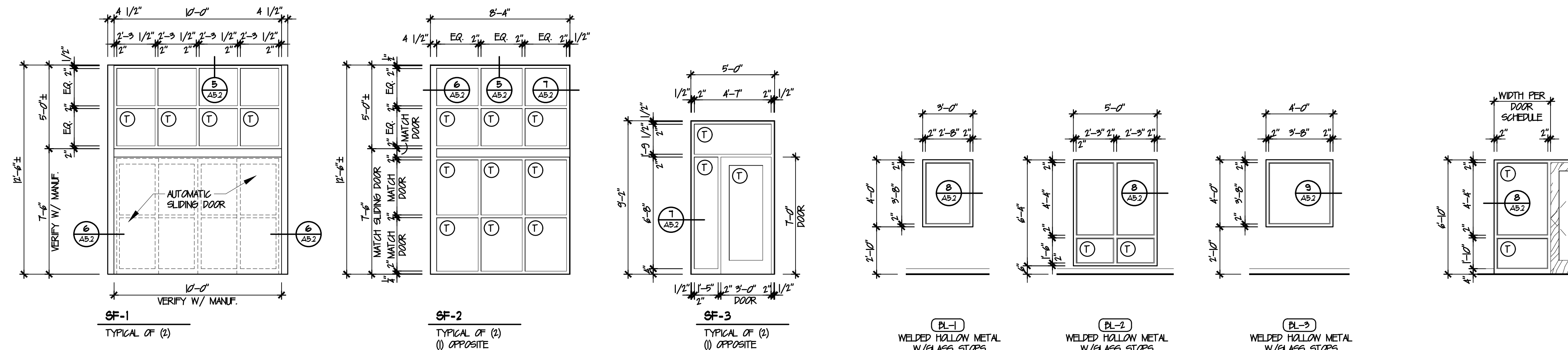
ALUMINUM STOREFRONT WINDOW SPECIFICATIONS

1. (EF-X) EXTERIOR STOREFRONT WINDOWS
 EXTERIOR FRAMING TO BE CENTER GLAZED THERMALLY BROKEN ALUM. STOREFRONT WINDOW FRAMING (4-1/2" OVERALL SYSTEM DEPTH). KAWNEER TRIFAB 451 OR APPROVED EQUAL. FRAMING FINISH TO BE SELECTED.
2. INTERIOR FRAMING (VESTIBULE) TO BE CENTER GLAZED ALUMINUM STOREFRONT WINDOW FRAMING (4-1/2" OVERALL SYSTEM DEPTH). KAWNEER TRIFAB 451 OR APPROVED EQUAL. FRAMING FINISH TO BE SELECTED.
3. AUTOMATIC SLIDING DOORS TO MATCH STOREFRONT WINDOW FRAMING FINISH. BESAM MODEL #8500 OVERHEAD CONCEALED FILL BREAKOUT NARROW STYLE 24-PART SLIDING DOOR SYSTEM OR EQUAL W/ 1" INSL. TEMPERED GLASS (BOTH SIDELITES & ACTIVE LEAVES).
4. TYPICAL EXTERIOR GLAZING SHALL BE NOMINAL 1" INSULATED LOW E GLASS CONSISTING OF (1) LAYER 1/4" CLEAR OUTBOARD, 1/2" AIR SPACE, & (1) LAYER 1/4" CLEAR INBOARD GLASS.
5. TYPICAL INTERIOR GLAZING SHALL BE MIN. 1/4" CLEAR TEMPERED SAFETY GLASS. VERIFY GLASS THICKNESS WITH MANUFACTURER FOR PROPOSED CONDITIONS.
6. 'T' INDICATES TEMPERED GLASS
7. WINDOW MANUFACTURER SHALL PROVIDE THE ENGINEERING SERVICES OF A REGISTERED PROFESSIONAL ENGINEER FOR THE COMPLETE WINDOW SYSTEM INCLUDING SPECIAL CONDITIONS.
8. CONTRACTOR TO SUBMIT DETAILED SHOP DRAWINGS TO ARCHITECT FOR REVIEW & APPROVAL.



EXTERIOR VINYL WINDOW ELEVATIONS

SCALE: 1/4" = 1'-0"



ALUMINUM STOREFRONT WINDOW ELEVATIONS

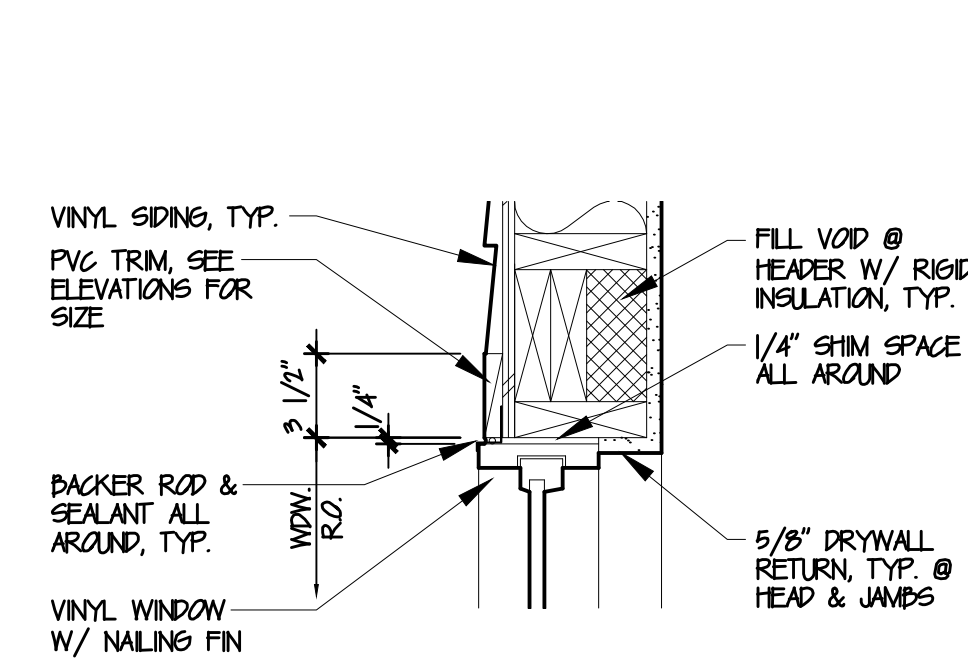
SCALE: 1/4" = 1'-0"

INTERIOR BORROWED LITES

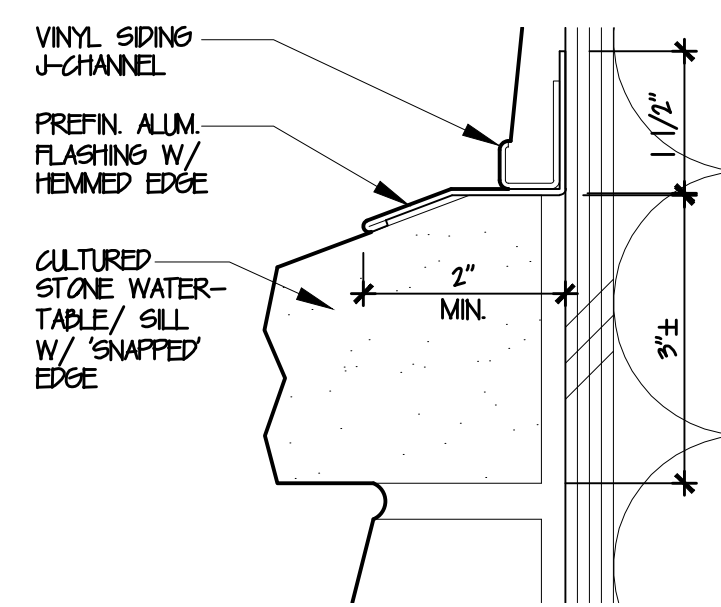
SCALE: 1/4" = 1'-0"

TYP. HOLLOW METAL SIDE LITE DETAIL

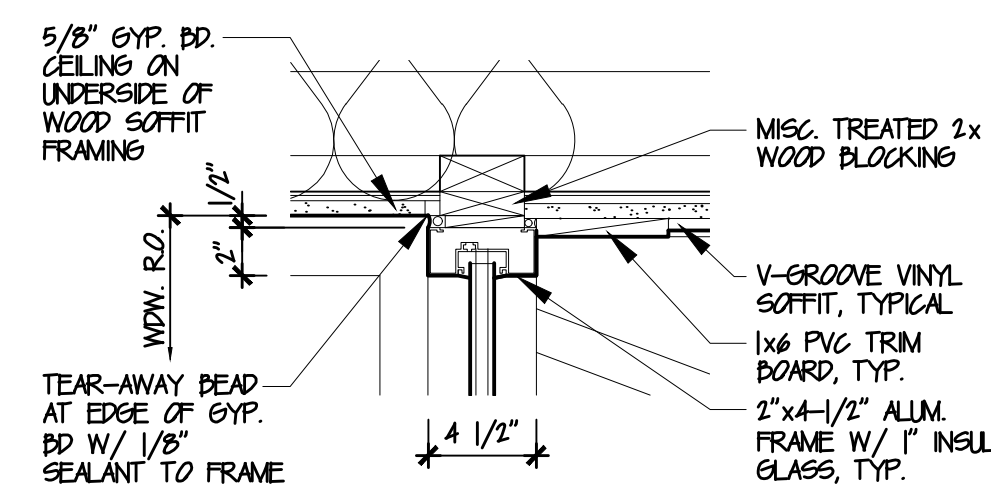
SCALE: 1/4" = 1'-0"



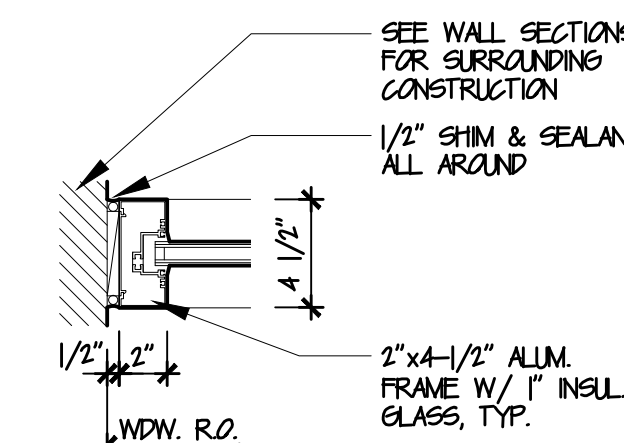
1 WINDOW HEAD
 AS2 SCALE: 1/2" = 1'-0"



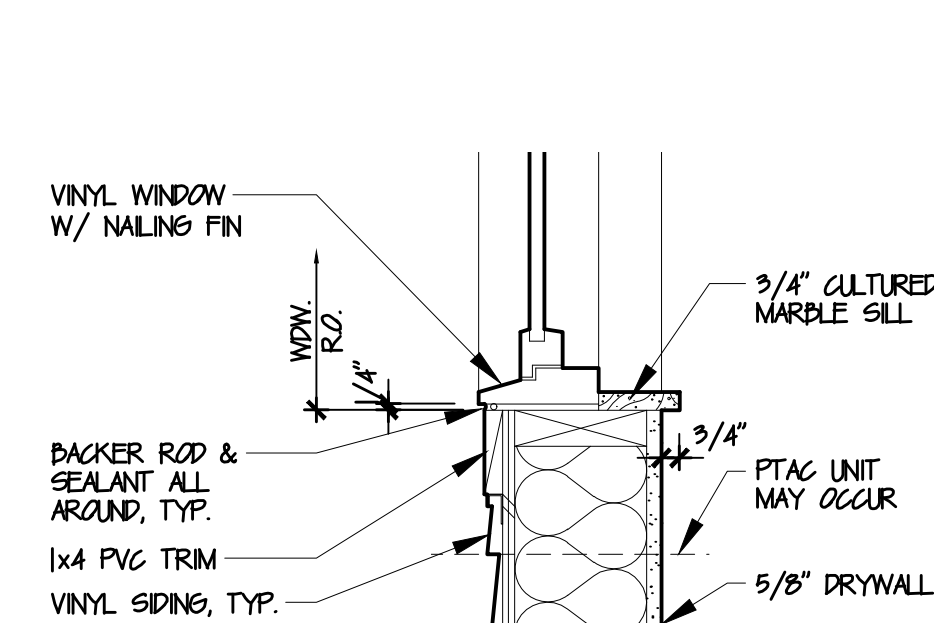
3 STONE WATER-TABLE
 AS2 SCALE: 6" = 1'-0"



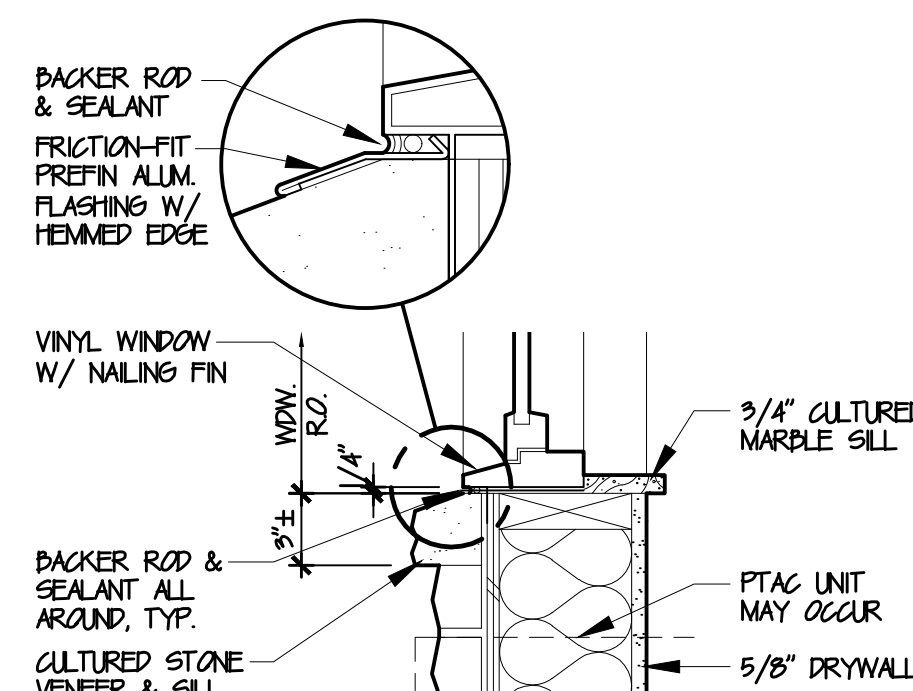
5 VESTIBULE HEAD
 AS2 SCALE: 1/2" = 1'-0"



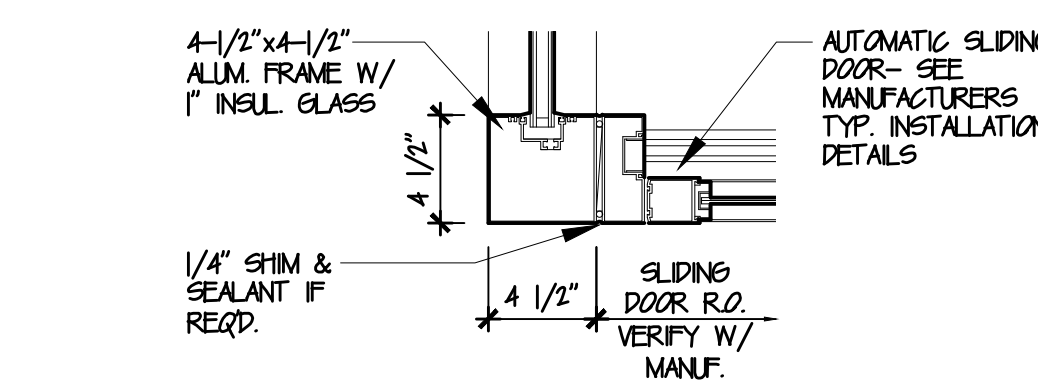
7 STOREFRONT JAMB
 AS2 SCALE: 1/2" = 1'-0"



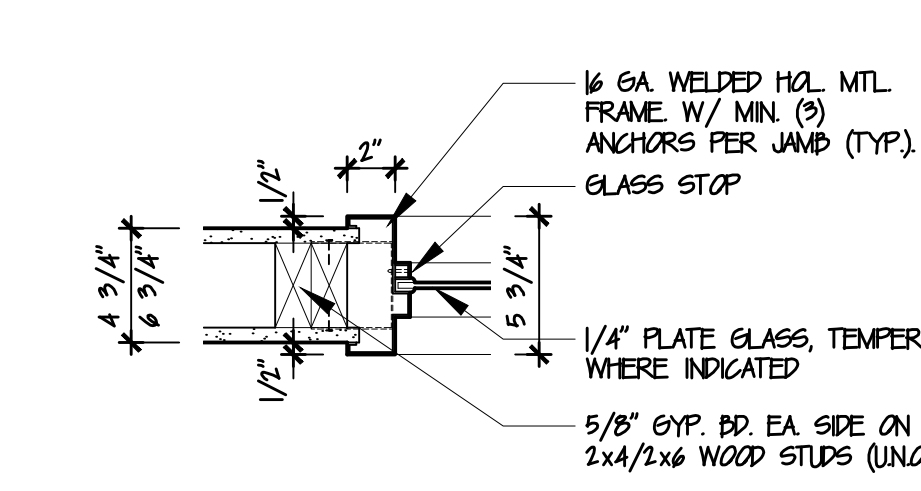
2 WINDOW SILL
 AS2 SCALE: 1/2" = 1'-0"



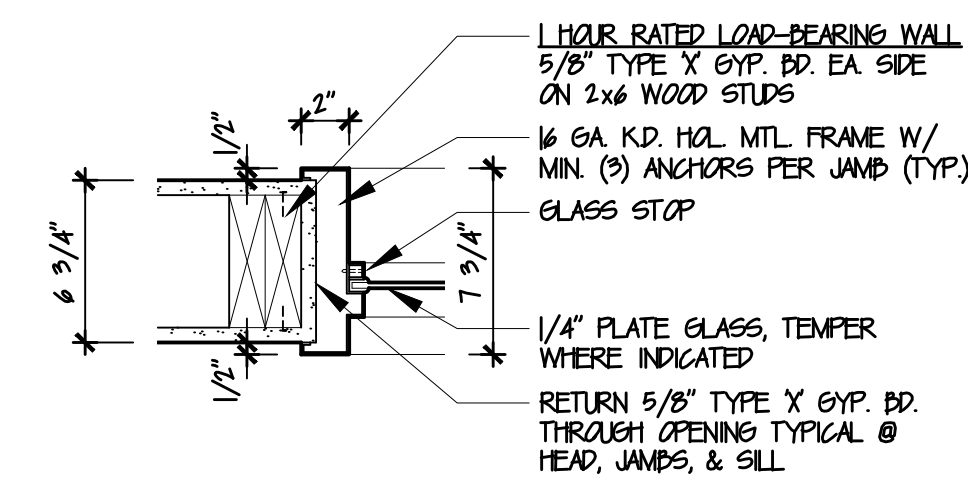
4 WINDOW SILL
 AS2 SCALE: 1/2" = 1'-0"



6 VESTIBULE CORNER
 AS2 SCALE: 1/2" = 1'-0"



8 BORROWED LITE
 AS2 SCALE: 1/2" = 1'-0"



9 BORROWED LITE
 AS2 SCALE: 1/2" = 1'-0"

ROOM FINISH SCHEDULE

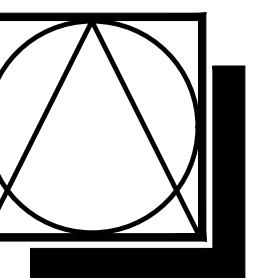
NO.	ROOM NAME	FLOOR	BASE	WALLS				CEILING	HEIGHT	REMARKS
				NORTHWEST	NORTHEAST	SOUTHEAST	SOUTHWEST			
C01	VESTIBULE	CPT-E	-	-	-	-	-	DW	+12'-6"	ALUM. STORFRONT WINDOW SYSTEM
C02	RECEPTION	CT-1	TD	PT	PT	PT	PT	DW	VARIES	SEE REFL. CLG. PLAN FOR HEIGHTS
C03	LOBBY	CPT-1/ CT-1	RD/TD	PT	PT	PT	PT	DW	VARIES	SEE REFL. CLG. PLAN FOR HEIGHTS
C04	CORRIDOR	CPT-1	RD	PT	PT	PT	PT	SAT-1/DW	VARIES	SEE REFL. CLG. PLAN FOR HEIGHTS
C05	CORRIDOR	VGT	RD	PT	PT	PT	PT	SAT-2	+8'-6"	-
C06	WOMEN'S LAVATORY	CT-1	TD	PE	CTW	PE	PE	SAT-1	+8'-0"	FULL HEIGHT CERAMIC TILE ON WET WALL
C07	MEN'S LAVATORY	CT-1	TD	PE	PE	PE	CTW	SAT-1	+8'-0"	FULL HEIGHT CERAMIC TILE ON WET WALL
C08	MECHANICAL/ MAINT.	CONC	RD	PT	PT	PT	PT	DW	+10'-3"	CEILING AT BOTTOM OF TRUSSES
C09	CONFERENCE	CPT-3	CD	PT	PT	PT	PT	SAT-1	+9'-2"	-
C10	OFFICE	LVT	RD	PT	PT	PT	PT	SAT-1/DW	VARIES	SEE REFL. CLG. PLAN FOR HEIGHTS
C11	OFFICE	CPT-1	RD	PT	PT	PT	PT	SAT-2	+9'-2"	-
C12	PHYSICAL THERAPY	LVT	RD	PT	PT	PT	PT	SAT-1/DW	VARIES	SEE REFL. CLG. PLAN FOR HEIGHTS
C12a	CLOSET	LVT	RD	PT	PT	PT	PT	SAT-2	+9'-0"	-
C13	P.T. KITCHEN	LVT	RD	PT	PT	PT	PT	SAT-2	+9'-0"	-
C13a	CLOSET	LVT	RD	PT	PT	PT	PT	DW	+10'-3"	CEILING AT BOTTOM OF TRUSSES
C14	P.T. BATH	LVT	RD	PE	PE	PE	PE	DW	+8'-0"	-
C15	OFFICE	CPT-1	RD	PT	PT	PT	PT	DW	+8'-6"	-
C16	STORAGE	VGT	RD	PT	PT	PT	PT	DW	+10'-3"	CEILING AT BOTTOM OF TRUSSES
C17	LAVATORY	VGT	RD	PE	PE	PE	CTW	SAT-2	+8'-0"	FULL HEIGHT CERAMIC TILE ON WET WALL
C18	JANITOR	QT	QB	PT/FRP	PT/FRP	PT/FRP	PT/FRP	DW	+10'-3"	CEILING AT BOTTOM OF TRUSSES 4'-0" HIGH FRP ALL WALLS W/PT ABOVE
C19	OFFICE	QT	QB	PT	PT	PT	PT	SAT-2	+8'-6"	-
C20	KITCHEN	QT	QB	FRP	FRP	FRP	FRP	SAT-W	+9'-0"	FULL HEIGHT FRP ALL WALLS
C21	STORAGE	QT	QB	FRP	FRP	FRP	FRP	SAT-W	+9'-0"	FULL HEIGHT FRP ALL WALLS
C22	SCULLERY	QT	QB	FRP	FRP	FRP	FRP	SAT-W	+9'-0"	FULL HEIGHT FRP ALL WALLS
C23	HAZARDOUS WASTE	VGT	RD	FRP	FRP	FRP	FRP	DW	+10'-3"	CEILING AT BOTTOM OF TRUSSES FULL HEIGHT FRP ALL WALLS
C24	FIRE PUMP	VGT	RD	PT	PT	PT	PT	DW	+10'-3"	CEILING AT BOTTOM OF TRUSSES
C25	ELECTRIC	VGT	RD	PT	PT	PT	PT	DW	+10'-3"	CEILING AT BOTTOM OF TRUSSES
C26	OXYGEN	VGT	RD	PT	PT	PT	PT	DW	+10'-3"	CEILING AT BOTTOM OF TRUSSES
C27	LOUNGE	VGT	RD	PT	PT	PT	PT	SAT-2	+9'-0"	-
C28	LAUNDRY	VGT	RD	PT	PT	PT	PT	SAT-2	+9'-0"	-
C29	LAUNDRY	VGT	RD	PT	PT	PT	PT	SAT-2	+9'-0"	-
C30	LINEN	VGT	RD	PT	PT	PT	PT	DW	+10'-3"	CEILING AT BOTTOM OF TRUSSES
C31	ACTIVITY ROOM	LVT	RD	PT	PT	PT	PT	SAT-1/DW	VARIES	SEE REFL. CLG. PLAN FOR HEIGHTS
C32	MAINT. / STORAGE	VGT	RD	PT	PT	PT	PT	DW	+10'-3"	CEILING AT BOTTOM OF TRUSSES
C33	SALON	LVT	RD	PT	PT	PT	PT	SAT-2	+9'-0"	-
C34	LAVATORY	CT-1	TD	PE	PE	PE	CTW	SAT-2	+8'-0"	FULL HEIGHT CERAMIC TILE ON WET WALL
C35	STORAGE	LVT	RD	PT	PT	PT	PT	DW	+10'-3"	CEILING AT BOTTOM OF TRUSSES
C36	OFFICE	CPT-2	CD	PT	PT	PT	PT	SAT-2	+9'-0"	-
C36a	CLOSET	CPT-2	CD	PT	PT	PT	PT	SAT-2	+9'-0"	-
C37	STORAGE	VGT	RD	PT	PT	PT	PT	SAT-2	+8'-6"	-
C38	WATER	CONC	RD	PT	PT	PT	PT	DW	+10'-3"	CEILING AT BOTTOM OF TRUSSES
C39	CORRIDOR	CPT-1	RD	PT	PT	PT	PT	SAT-1	+8'-6"	-
C40	OFFICE	CPT-2	CD	PT	PT	PT	PT	SAT-2	+9'-0"	-
C40a	CLOSET	CPT-2	CD	PT	PT	PT	PT	SAT-2	+9'-0"	-
C41	OFFICE	CPT-2	CD	PT	PT	PT	PT	SAT-2	+9'-0"	-
C42	OFFICE	CPT-2	CD	PT	PT	PT	PT	SAT-2	+9'-0"	-
C43	OFFICE	CPT-2	CD	PT	PT	PT	PT	SAT-2	+9'-2"	-
C44	OFFICE	CPT-2	CD	PT	PT	PT	PT	SAT-2	+9'-2"	-
C45	OFFICE	CPT-2	CD	PT	PT	PT	PT	SAT-2	+9'-2"	-
C46	FACILITY ADMINISTRATOR	CPT-2	CD	PT	PT	PT	PT	SAT-2	+9'-2"	-
C47	STORAGE	LVT	RD	PT	PT	PT	PT	SAT-2	+8'-0"	-
C48	STORAGE	VGT	RD	PT	PT	PT	PT	DW	+10'-3"	CEILING AT BOTTOM OF TRUSSES
C49	MAINTENANCE	VGT	RD	PT	PT	PT	PT	DW	+10'-3"	CEILING AT BOTTOM OF TRUSSES

ROOM FINISH SCHEDULE

NO.	ROOM NAME	FLOOR	BASE	WALLS				CEILING	HEIGHT	REMARKS
				NORTH	EAST	SOUTH	WEST			
W01	CORRIDOR	CPT-1	RD	PT	PT	PT	PT	SAT-1/DW	VARIES	SEE REFL. CLG. PLAN
W02	CORRIDOR	CPT-1	RD	PT	PT	PT	PT	SAT-1/DW	VARIES	SEE REFL. CLG. PLAN FOR HEIGHTS
W03	CORRIDOR	CPT-1	RD	PT	PT	PT	PT	SAT-1/DW	VARIES	SEE REFL. CLG. PLAN FOR HEIGHTS
W04	DINING ROOM	LVT	RD	PT	PT	PT	PT	SAT-1/DW	VARIES	SEE REFL. CLG. PLAN
W05	LOUNGE	CPT-3	RD	PT	PT	PT	PT	SAT-1/DW	VARIES	SEE REFL. CLG. PLAN
W06	NURSE	CPT-1	RD	PT	PT	PT	PT	SAT-1/DW	VARIES	SEE REFL. CLG. PLAN FOR HEIGHTS
W07	SERVERY	QT	QB	FRP	FRP	FRP	FRP	SAT-W	+9'-0"	FULL HEIGHT FRP ALL WALLS
W08	SPA	CT-1	TD	PE	PE/CTW	PE/CTW	PE/CTW	SAT-1	+9'-8"	CTW AT SHOWER WALLS
W09	SUPPLY	VGT	RD	PT	PT	PT	PT	SAT-2	+9'-8"	-
W10	LAVATORY	CT-1	TD	CTW	PE	PE	PE	SAT-2	+8'-0"	FULL HEIGHT CERAMIC TILE ON WET WALL
W11	HALL	CPT-1	RD	PT	PT	PT	PT	SAT-1	+8'-0"	-
W12	CHARTS	CPT-2	CD	PT	PT	PT	PT	SAT-2	+9'-8"	-
W13	CHARTS	CPT-2	CD	PT	PT	PT	PT	SAT-2	+8'-0"	-
W13	MEPS	VGT	RD	PT	PT	PT	PT	SAT-2	+8'-0"	-
W14	LINEN	VGT	RD	PT	PT	PT	PT	DW	+10'-3"	CEILING AT BOTTOM OF TRUSSES
W15	MECHANICAL	CONC	RD	PT	PT	PT	PT	DW	+10'-3"	CEILING AT BOTTOM OF TRUSSES
W16	SOLED UTILITY	VGT	RD	FRP	FRP	FRP	FRP	DW	+10'-3"	CEILING AT BOTTOM OF TRUSSES FULL HEIGHT FRP ALL WALLS
W17	CLOSET	CPT-1	RD	PT	PT	PT	PT	DW	+10'-3"	CEILING AT BOTTOM OF TRUSSES
W18	CORRIDOR	CPT-1	RD	PT	PT	PT	PT	SAT-1	+8'-0"	-
N01	CORRIDOR	CPT-1	RD	PT	PT	PT	PT	SAT-1/DW	VARIES	SEE REFL. CLG. PLAN FOR HEIGHTS
N02	CORRIDOR	CPT-1	RD	PT	PT	PT	PT	SAT-1/DW	VARIES	SEE REFL. CLG. PLAN FOR HEIGHTS
N03	CORRIDOR	CPT-1	RD	PT	PT	PT	PT	SAT-1/DW	VARIES	SEE REFL. CLG. PLAN FOR HEIGHTS
N04	DINING ROOM	LVT	RD	PT	PT	PT	PT	SAT-1/DW	VARIES	SEE REFL. CLG. PLAN FOR HEIGHTS
N05	LOUNGE	CPT-3	RD	PT	PT	PT	PT	SAT-1/DW	VARIES	SEE REFL. CLG. PLAN FOR HEIGHTS
N06	NURSE	CPT-1	RD	PT	PT	PT	PT	SAT-1/DW	VARIES	SEE REFL. CLG. PLAN FOR HEIGHTS
N07	SERVERY	QT	QB	FRP	FRP	FRP	FRP	SAT-W	+9'-0"	FULL HEIGHT FRP ALL WALLS
N08	SPA	CT-1	TD	PE/CTW	PE/CTW	PE/CTW	PE	SAT-1	+9'-8"	CTW SHOWER WALLS
N09	SUPPLY	VGT	RD	PT	PT	PT	PT	SAT-2	+9'-8"	-
N10	LAVATORY	CT-1	TD	PE	PE	PE	CTW	SAT-2	+8'-0"	FULL HEIGHT CERAMIC TILE ON WET WALL
N11	HALL	CPT-1	RD	PT	PT	PT	PT	SAT-1	+8'-0"	-
N12	CHARTS	CPT-1	CD	PT	PT	PT	PT	SAT-2	+9'-8"	-
N13	CHARTS	CPT-1	CD	PT	PT	PT	PT	SAT-2	+8'-0"	-
N13	MEPS	VGT	RD	PT	PT	PT	PT	SAT-2	+8'-0"	-
N14	LINEN	VGT	RD	PT	PT	PT	PT	DW	+10'-3"	CEILING AT BOTTOM OF TRUSSES
N15	MECHANICAL	CONC	RD	PT	PT	PT	PT	DW	+10'-3"	CEILING AT BOTTOM OF TRUSSES
N16	SOLED UTILITY	VGT	RD	FRP	FRP	FRP	FRP	DW	+10'-3"	CEILING AT BOTTOM OF TRUSSES FULL HEIGHT FRP ALL WALLS
N17	IT. CLOSET	VGT	RD	PT	PT	PT	PT	DW	+10'-3"	CEILING AT BOTTOM OF TRUSSES
N18	CORRIDOR	CPT-1	RD	PT	PT	PT	PT	SAT-1	+8'-0"	-
WEST Wing (1-xx)	RESIDENT BEDROOM	LVT-1	RD	PT	PT	PT	PT	DW/DW-T	VARIES	SEE REFL. CLG. PLAN FOR HEIGHTS
WEST Wing (1-xx)	RESIDENT BATHROOM	CT-1	TD	PE	PE	PE	PE	DW	7'-8"	-
NORTH Wing (2-xx)	RESIDENT BEDROOM	LVT-1	RD	PT	PT	PT	PT	DW/DW-T	VARIES	SEE REFL. CLG. PLAN FOR HEIGHTS
NORTH Wing (2-xx)	RESIDENT BATHROOM	CT-1	TD	PE	PE	PE	PE	DW	7'-8"	-

INTERIOR FINISH LEGEND

FLOOR	DESCRIPTION
CPT-1	CARPET TILE / PLANK (COMMON AREAS) BY SHAW CONTRACT OR EQUAL STYLE / COLOR TO BE SELECTED.
CPT-2	CARPET TILE / PLANK (OFFICES) BY SHAW CONTRACT OR EQUAL STYLE / COLOR TO BE SELECTED.
CPT-3	CARPET TILE / PLANK (SPECIALTY) BY SHAW CONTRACT OR EQUAL STYLE / COLOR TO BE SELECTED.
CPT-E	ENTRANCE WALK-OFF CARPET TILE BY SHAW CONTRACT OR EQUAL COLOR TO BE SELECTED.
LVT	LUXURY VINYL PLANK BY SHAW CONTRACT OR EQUAL, GLUE DOWN INSTALLATION PER MANUFACTURER'S INSTRUCTIONS. STYLE/COLOR TO BE SELECTED.
VGT	12x12x1/8" VINYL COMPOSITION TILE BY ARMSTRONG OR EQUAL. PROVIDE FINISH PER MANUFACTURER'S RECOMMENDATIONS. COLOR TO BE SELECTED.
CT-1	CERAMIC TILE BY DALTILE OR EQUAL. THINSET INSTALLATION & MAX 3/16" GROUT JOINT. TILE & GROUT COLOR TO BE SELECTED.
QT	QUARRY TILE BY DALTILE OR EQUAL W/ MAPEI GROUT. THINSET INSTALLATION & 3/8" GROUT JOINT. TILE & GROUT COLOR TO BE SELECTED.
CONC	EXPOSED CONCRETE SLAB. SEAL W/ EUCO DIAMOND CLEAR CURING & SEALING COMPOUND OR APPROVED EQUAL.
BASE	
RB	4" x 1/8" GAUGE RUBBER COVE BASE BY JOHNSONITE / TARKETT OR APPROVED EQUAL. COLOR(S) TO BE SELECTED. DD AS ADD ALTERNATE JOHNSONITE / TARKETT MILLWORK / MASQUERADE RUBBER BASE IN REVEAL PROFILE FOR THE FOLLOWING ROOMS: #C03, #C10, #C14, #C15, #C16, #C19, #C20, #C21, #C22, #C23, #C24, #C25, #C26, #C27, #C28, #C29, #C30, #C31, #C32, #C33, #C34, #C35, #C36, #C37, #C38, #C39, #C40, #C41, #C42, #C43, #C44, #C45, #C46, #C47, #C48, #C49. COLOR(S) TO BE SELECTED.
TB	4" HIGH CERAMIC TILE COVE BASE BY DALTILE OR EQUAL. - TILE & GROUT TO MATCH ADJACENT FLOOR TILE. ALIGN GROUT JOINTS WITH FLOOR TILE.
QB	5" HIGH QUARRY TILE COVE BASE BY DALTILE OR EQUAL. - TILE & GROUT TO MATCH ADJACENT FLOOR TILE. ALIGN GROUT JOINTS WITH FLOOR TILE.
CB	4" HIGH CARPET BASE WITH COORDINATING BOUND TOP EDGE TO MATCH ADJACENT CARPET.
WALLS	
PT	PAINT (1) COAT MANUF. RECOMMENDED PRIMER & (2) FINISH COATS SHERWIN WILLIAMS ZERO VOC LOW GLOSS EG-SHEL' INTERIOR LATEX PAINT. COLOR(S) TO BE SELECTED.
FE	SINGLE COMPONENT EPOXY COATING BY SHERWIN WILLIAMS OR EQUAL. PREP SURFACE & APPLY PER MANUF. RECOMMENDATIONS. COLOR(S) TO BE SELECTED.
FRP	FIBERGLASS REINFORCED POLYESTER PANELS BY MARLITE OR EQUAL. PROVIDE PANEL LENGTHS AS REQUIRED FOR VERTICAL SEAMS ONLY. PROVIDE ALL TRIM PIECES AS REQUIRED FOR COMPLETE JWP. COLOR TO BE SELECTED.
CTW	CERAMIC TILE WALL FINISH TO MATCH ADJACENT FLOOR TILE & GROUT. THINSET INSTALLATION & MAX 3/16" GROUT JOINT. NO COVE BASE AT WAINSCOT WALLS. WAINSCOT GROUT JOINTS TO ALIGN WITH FLOOR GROUT JOINTS.
CEILING	
SAT-1	24"x24"x5/16" EXPOSED TEE SUSPENSION SYSTEM W/ 24"x24"x3/4" ANGLED TEGULAR EDGE LAY-IN MINERAL FIBER CEILING TILE "CORTINA" BY ARMSTRONG OR APPROVED EQUAL.
SAT-2	24"x48"x5/16" EXPOSED TEE SUSPENSION SYSTEM W/ 24"x48"x5/8" SQUARE EDGE LAY-IN MINERAL FIBER CEILING TILE "CORTINA" BY ARMSTRONG OR APPROVED EQUAL.
SAT-W	24"x48"x5/16" EXPOSED TEE SUSPENSION SYSTEM W/ 24"x48"x5/8" SQUARE EDGE LAY-IN WASHABLE MINERAL FIBER CEILING TILE "KITCHEN ZONE" BY ARMSTRONG OR APPROVED EQUAL.
DW	PAINT DRYWALL (2) COATS SHERWIN WILLIAMS PRONAR 200 LOW VOC LATEX PAINT. FLAT FINISH TYPICAL. SEMI-GLOSS IN RESTROOMS & SPA AREAS. COLOR TO BE EXTRA WHITE.
DW-T	KNICK-DOWN TEXTURED FINISH ON DRYWALL CEILING. PAINT (2) COATS SHERWIN WILLIAMS PRONAR 200 LOW VOC LATEX PAINT. COLOR TO BE EXTRA WHITE.
MISCELLANEOUS	
HOL. MTL. DOORS & FRAMES	FACTORY APPLIED PRIMER + (2) FIELD APPLIED FINISH COATS SHERWIN WILLIAM PRO INDUSTRIAL DTM ACRYLIC SEMI-GLOSS INTERIOR/EXTERIOR PAINT. COLOR(S) TO BE SELECTED.
WD. TRIM	APPLY (1) COAT STAIN & (2) COATS SATIN VARNISH. COLOR TO MATCH WOOD CABINETS. SUBMIT SAMPLE FOR APPROVAL.
FLOOR TRANS.	LEVEL & FEATHER FLOOR SURFACE AS REQUIRED FOR SMOOTH FINISHES AT FLOOR MATERIAL CHANGES. ALL FLOORING TRANSITIONS TO MEET ADA / ANSI ICC A117I REQUIREMENTS. - PROVIDE RESILIENT TRANSITION STRIP AT MEETING OF CARPET/VGT/LVT & CONCRETE AND AT MEETING OF LVT/VGT & CARPET BY JOHNSONITE / TARKETT OR EQUAL. COLOR TO BE SELECTED. - NO TRANSITION REQUIRED AT MEETING OF CARPET AND 9MM LVT. - PROVIDE CLEAR ANODIZED ALUMINUM "L" TRIM EDGE @ MEETING OF CARPET/VGT/LVT & CERAMIC TILE. - PROVIDE CLEAR ANODIZED ALUMINUM TAPERED TRIM EDGE @ MEETING OF CERAMIC TILE AND CONCRETE.
P. LAM.	3/4" PARTICLE BOARD WITH HIGH PRESSURE PLASTIC LAMINATE FINISH TYPICAL WHERE INDICATED ON CABINETS & COUNTERTOPS. WILSONART OR APPROVED EQUAL. COLOR/ FINISH CHOICE TO INCLUDE FULL RANGE INCLUDING WILSONART HD LINE. COLOR(S) TO BE SELECTED.
SOLID SURF.	SOLID SURFACE COUNTERTOP W/ INTEGRAL BACK / SPESPLASH BY WILSONART OR EQUAL. TYPICAL AT ALL PRIVATE / SEMI-PRIVATE RESIDENT BATHROOMS.
QUARTZ	QUARTZ SOLID SURFACE COUNTERS, BACK/SIDESPLASH & WALL CAPS BY WILSONART OR EQUAL. TYP. AT RECEPT. #C01. CABINETS AT LOBBY #C02, NURSE #N06/N06 AND SERVERY #N07/N07. INSTALL PER MANUF. SPECIFICATIONS. COLOR(S) TO BE SELECTED.
CULT. MARBLE	CULTURED MARBLE W/ SATIN FINISH BY LIPPERT OR EQUAL- 3/4" THICK TYPICAL AT ALL WINDOW SILLS. DD AS ALTERNATE TO SOLID SURFACE LAVATORY TOPS IN RESIDENT BATHROOMS - SATIN FINISH W/ INTEGRAL BACK/SIDESPLASH. INSTALL PER MANUF. SPECIFICATIONS. COLOR(S) TO BE SELECTED.



DSC ARCHITECTS
401 FRONT STREET
BEREA, OHIO 44017
PHONE: 440.835.3957
mail@dscarchitects.com

DATE: 03.11.24
FRS:ING

NEW 90 BED SKILLED NURSING FACILITY
SMITH MOUNTAIN LAKE HEALTH & REHAB CENTER
STATE RTE 616
MONEYA, FRANKLIN COUNTY, VIRGINIA

PRELIMINARY
NOT FOR CONSTRUCTION

DISCA PROJECT NO.
23046

A6.1