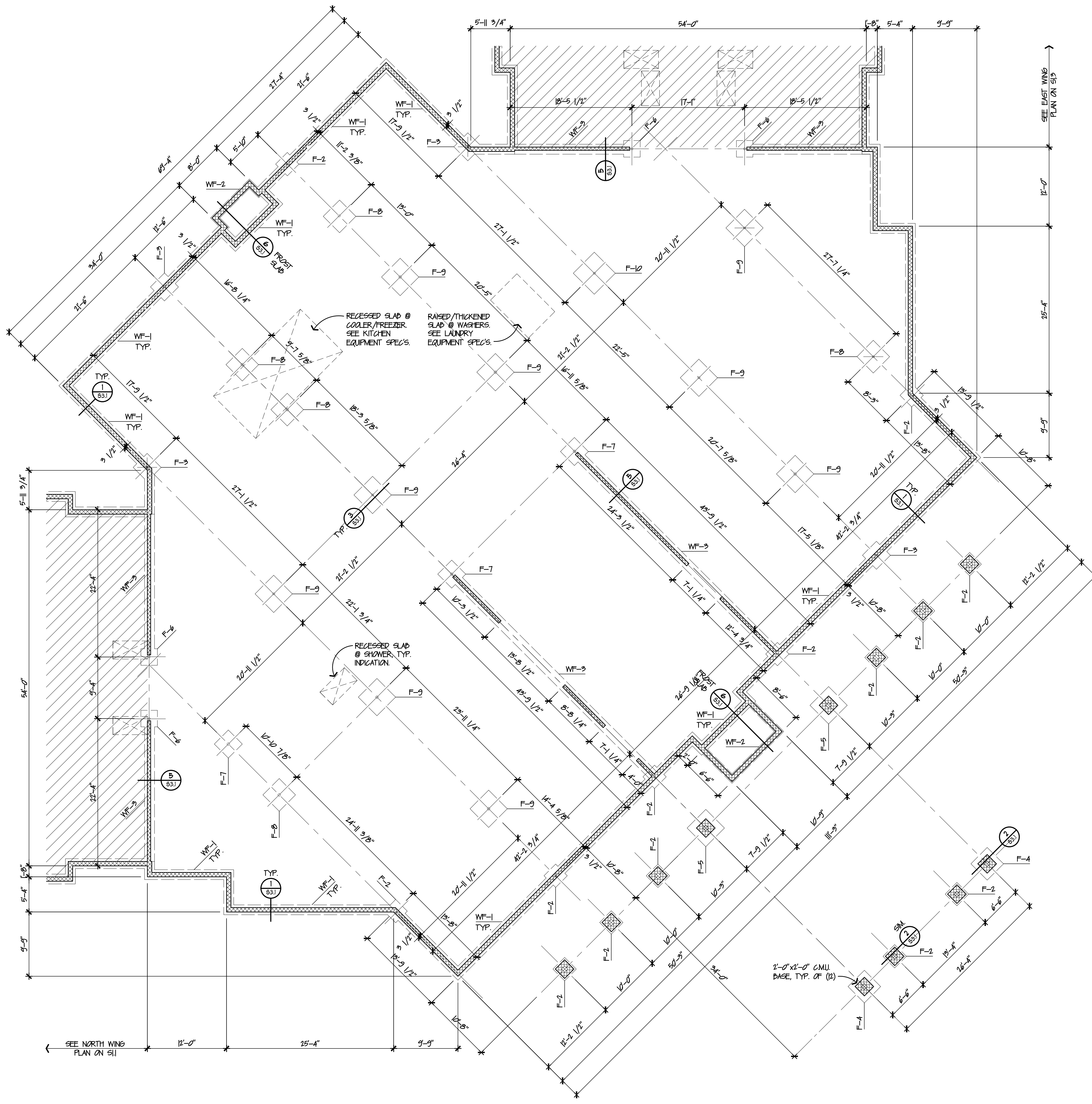


**PRELIMINARY**  
NOT FOR CONSTRUCTION



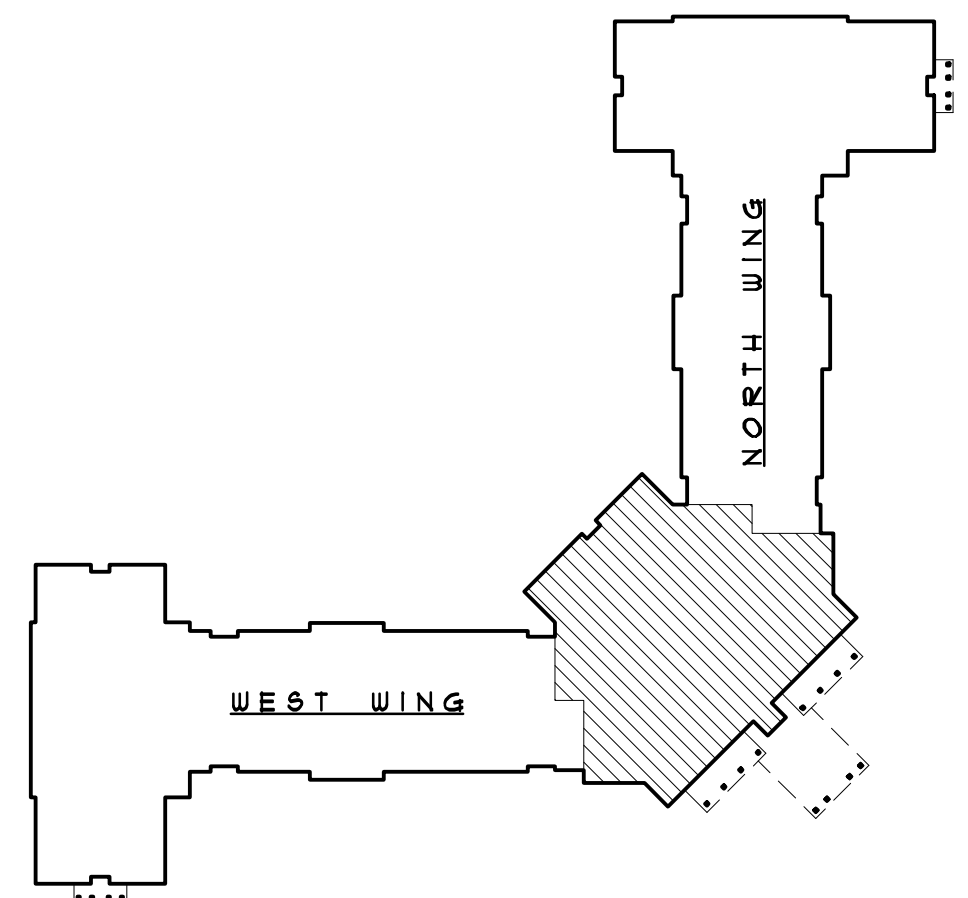
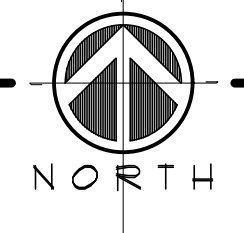
**FOUNDATION NOTES**

- ALL ELEVATIONS IN REFERENCE TO FINISH FLOOR ELEV. (+0'-0"). TOP OF FOOTING (TOF) SHALL BE @ (-1'-4") UNLESS NOTED OTHERWISE.
- ALL EXTERIOR CONCRETE FOOTINGS SHALL BEAR ON FIRM UNDISTURBED SOIL -2'-6" BELOW FINISHED GRADE MIN.
- CONCRETE PLACING AND MIXING SHALL BE PER CURRENT A.C.I. SPECIFICATIONS.
- ALL CONCRETE FOOTINGS SHALL DEVELOP A MINIMUM @ 28 DAYS COMPRESSIVE STRENGTH (1%) OF 3,000 PSI (UNO).
- CONCRETE EXPOSED TO WEATHER SHALL BE 6% AIR ENTRAINED.
- ALL REINF. STEEL SHALL COMPLY WITH ASTM A-65, GRADE 60.
- PROVIDE (2) #4 X3'-0" LONG BARS AT ALL RE-ENTRANT CORNERS.
- ALL CONCRETE FOOTINGS SHALL BEAR ON FIRM UNDISTURBED SOIL OR ENGINEERED BACKFILL OF 2,000 PSF MIN. BEARING CAPACITY. CONTRACTOR TO VERIFY.
- TYPICAL SLAB-ON-GRADE FLOOR CONSTRUCTION  
 4" 4000 PSI CONG. SLAB W/ 6x6 W/AXIA W/WF. OVER 6 ML VAPOR BARRIER ON 4" MIN. COMPACTED GRANULAR FILL.
- SPECIAL INSPECTION TO BE PROVIDED BY INDEPENDENT QUALIFIED TESTING LABORATORY FOR THE FOLLOWING:
  - TESTING OF CONCRETE FOR FOOTINGS, SLAB AND WALKS FOR VERIFICATION OF MINIMUM DESIGN COMPLIANCE.
  - TESTING OF COMPACTED FILLS IN ACCORDANCE W/ ASTM 698 (STANDARD PROCTER TEST)

**FOOTING SCHEDULE**

MARK	SIZE (WxLxD)	REINFORCING	T.O.F.
WF-1	1'-6" x CONT. x 2'-6" MIN. BELOW GRADE	(2) #5 CONT. T. & B.	(-1'-4")
WF-2	1'-0" x CONT. x 2'-6" MIN. BELOW GRADE	(1) #5 CONT. T & B	(-1'-4")
WF-3	1'-6" x CONT. x 1'-4"	(2) #5 CONT. BTM. ONLY	(-0'-8")
F-1	2'-0" x 2'-0" x 2'-6" MIN. BELOW GRADE	(2) #4 EW. T & B	(-1'-4")
F-2	2'-6" x 2'-6" x 2'-6" MIN. BELOW GRADE	(3) #4 EW. T & B	(-1'-4")
F-3	3'-0" x 3'-0" x 2'-6" MIN. BELOW GRADE	(3) #5 EW. T & B	(-1'-4")
F-4	3'-6" x 3'-6" x 2'-6" MIN. BELOW GRADE	(4) #5 EW. T & B	(-1'-4")
F-5	4'-0" x 4'-0" x 2'-6" MIN. BELOW GRADE	(5) #5 EW. T & B	(-1'-4")
F-6	2'-6" x 2'-6" x 1'-4"	(3) #4 EW. BOTTOM	(-0'-8")
F-7	3'-0" x 3'-0" x 1'-4"	(3) #5 EW. BOTTOM	(-0'-8")
F-8	3'-6" x 3'-6" x 1'-4"	(4) #5 EW. BOTTOM	(-0'-8")
F-9	4'-0" x 4'-0" x 1'-4"	(5) #5 EW. BOTTOM	(-0'-8")
F-10	4'-6" x 4'-6" x 1'-4"	(6) #5 EW. BOTTOM	(-0'-8")
F-11	5'-0" x 5'-0" x 1'-4"	(5) #6 EW. BOTTOM	(-0'-8")

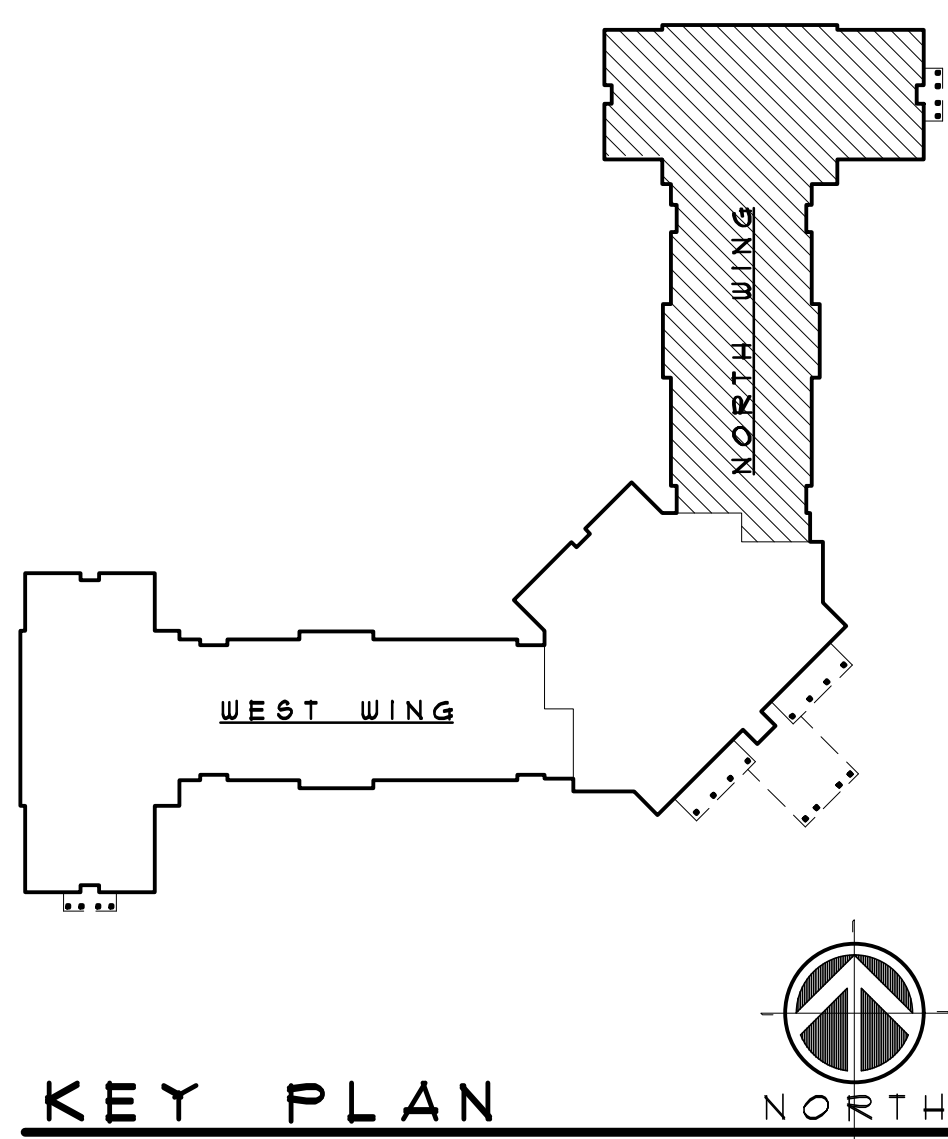
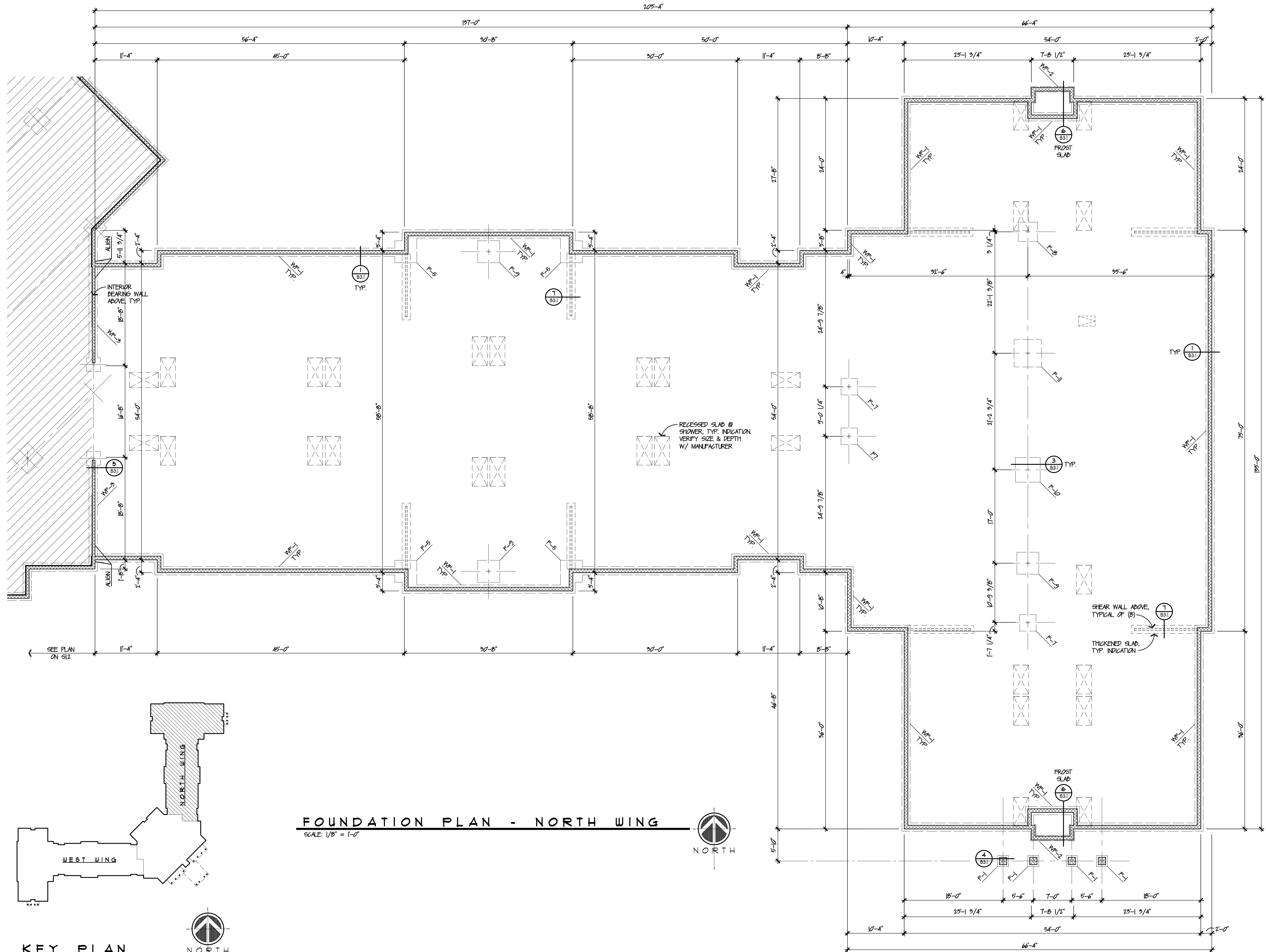
**FOUNDATION PLAN**  
 SCALE: 1/8" = 1'-0"



**KEY PLAN**



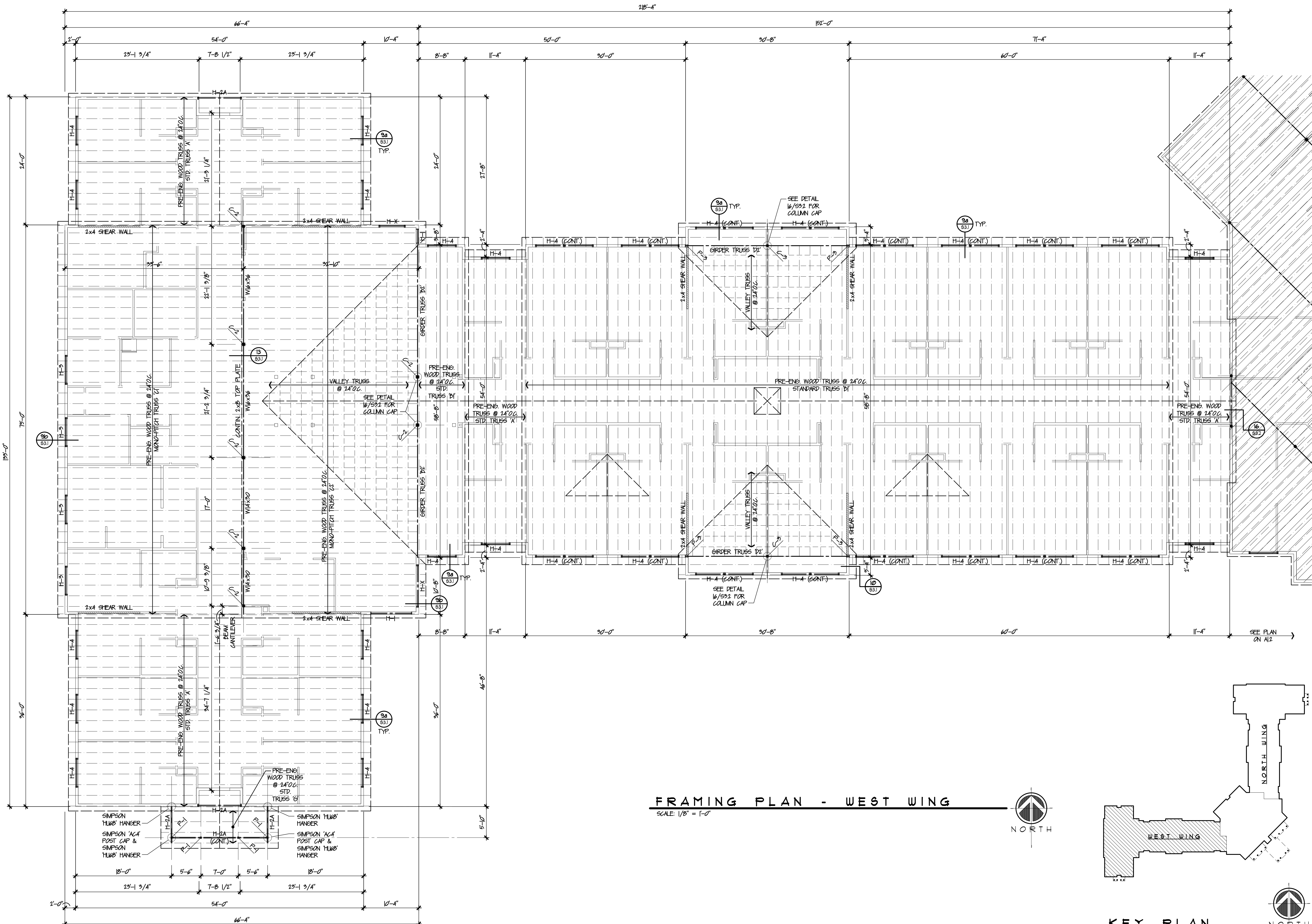
**PRELIMINARY**  
 NOT FOR CONSTRUCTION



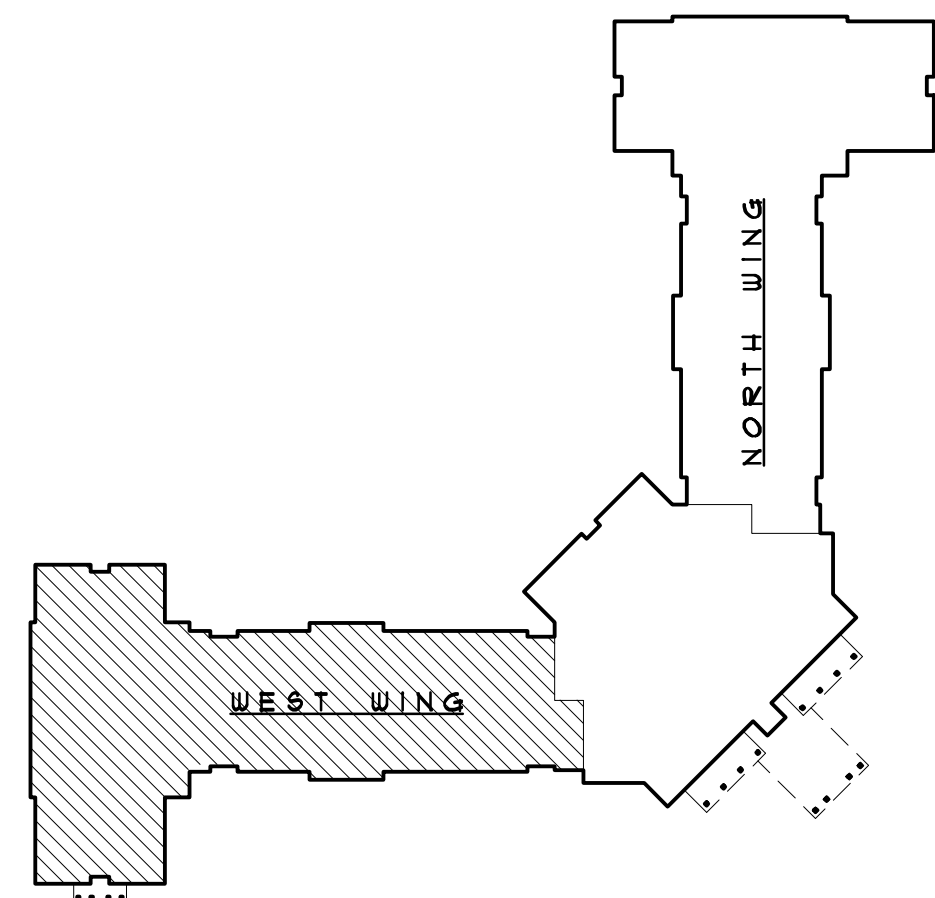
**FOUNDATION PLAN - NORTH WING**  
 SCALE: 1/8" = 1'-0"  
 NORTH

NEW 90 BED SKILLED NURSING FACILITY  
**SMITH MOUNTAIN LAKE HEALTH & REHAB CENTER**  
 STATE RTE 616  
 MONETA, FRANKLIN COUNTY, VIRGINIA

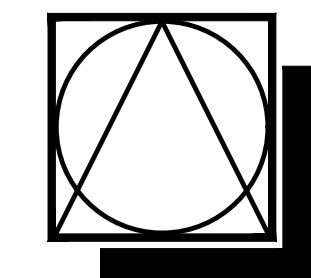
**PRELIMINARY**  
 NOT FOR CONSTRUCTION



**FRAMING PLAN - WEST WING**  
SCALE: 1/8" = 1'-0"



**KEY PLAN**  
KEY PLAN



**DSC ARCHITECTS**  
401 FRONT STREET  
BEREA, OHIO 44017  
PHONE: 440.835.3957  
mail@dscarchitects.com

DATE:  
PRINCIPAL: 03/11/24

NEW 90 BED SKILLED NURSING FACILITY  
**SMITH MOUNTAIN LAKE HEALTH & REHAB CENTER**  
STATE RTE 616  
MONETA, FRANKLIN COUNTY, VIRGINIA

**PRELIMINARY**  
NOT FOR CONSTRUCTION

DSCA PROJECT NO.  
23.046

**S2.1**

STEEL COLUMN SCHED.	
C-1	HSS 6x6x3/8" SQ. STEEL TUBE
C-2	HSS 4x4x5/16" SQ. STEEL TUBE
C-3	4" STD. STEEL PIPE
C-4	3-1/2" STD. STEEL PIPE

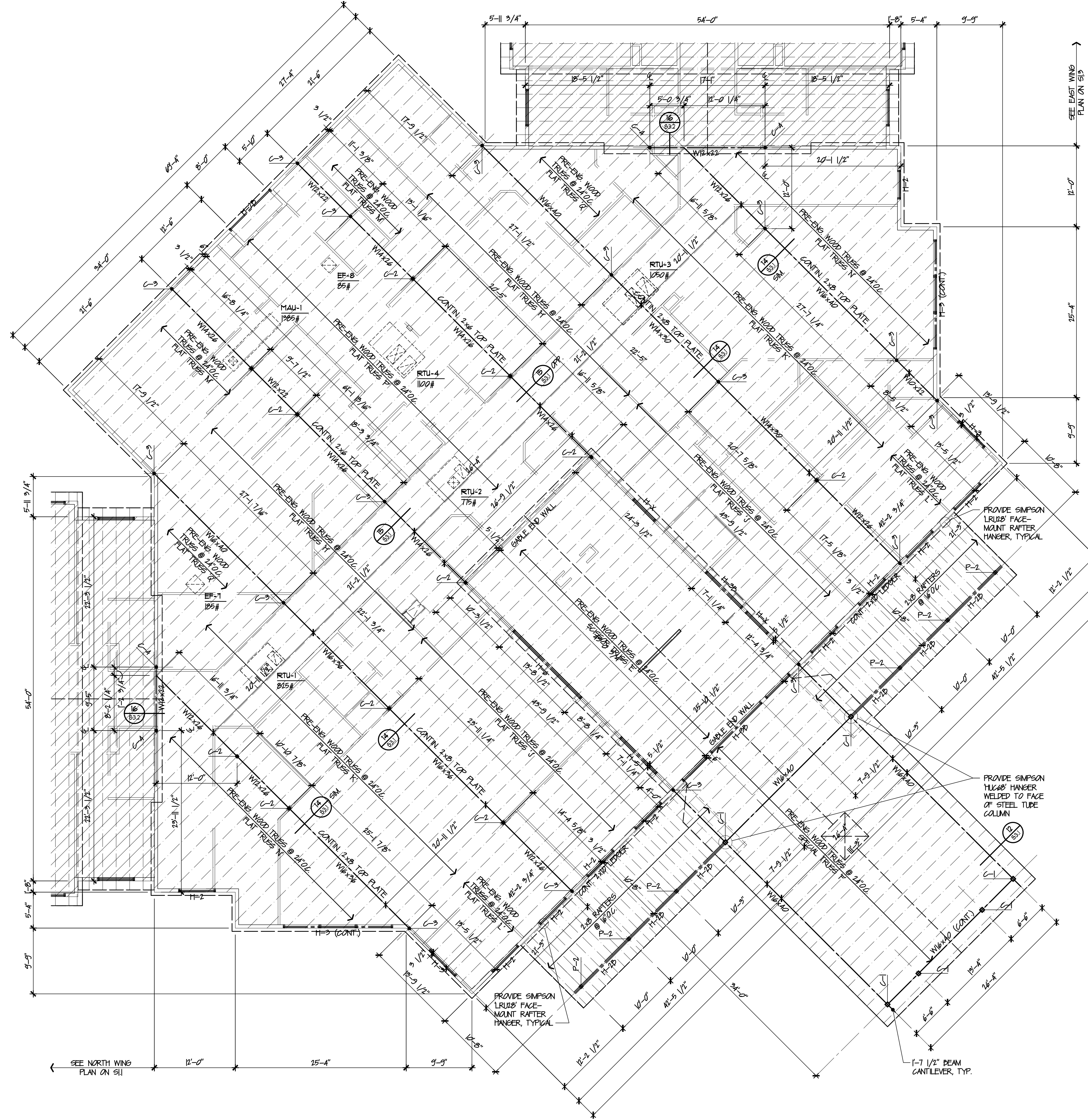
  

WOOD COL./POST SCHED.	
P-1	4x4 W/ PAIR SIMPSON 'AC4' POST CAPS & SIMPSON 'ADUMAZ' POST BASE
P-2	6x6 W/ PAIR SIMPSON 'AC6' POST CAPS & SIMPSON 'ADUMAZ' POST BASE
P-3	12E PARALLAM PSL 5-1/4"x7"

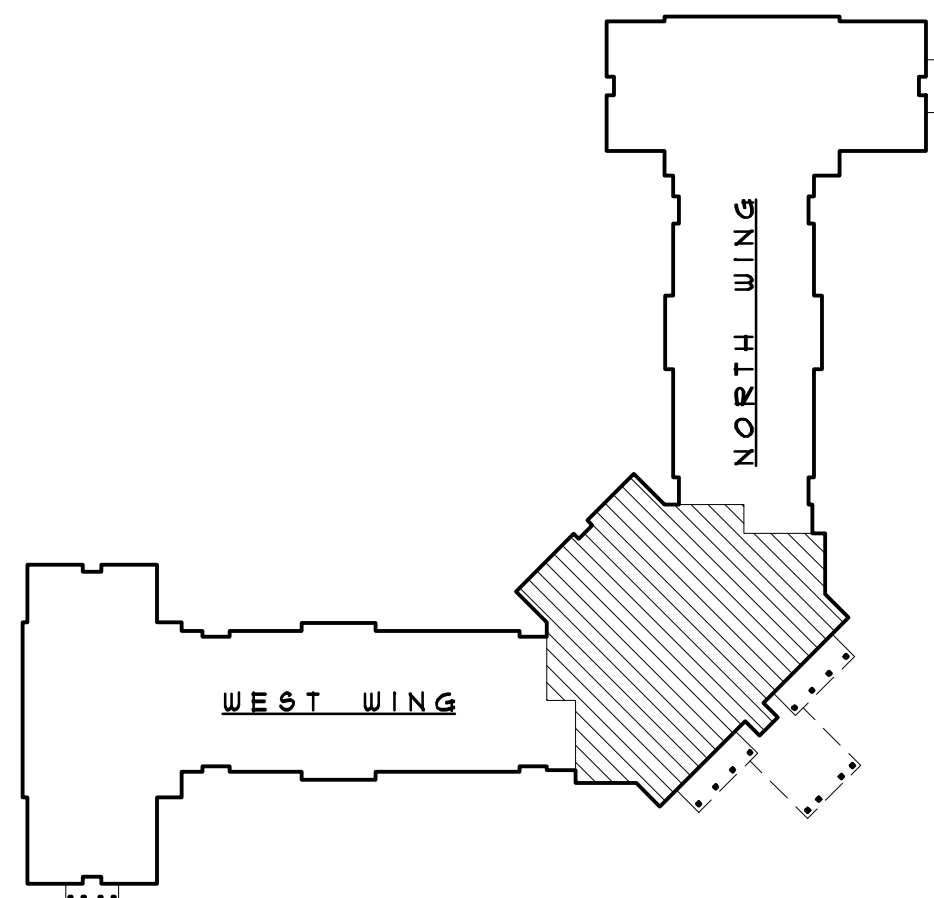
WOOD HEADER/ BEAM SCHEDULE		
H-1	(2) 2x6s MIN.	(1) 2x6 MIN. END BRG.
H-1A	(2) 2x6s W/ 1/2" PLYMD.	(1) 2x6 MIN. END BRG.
H-2	(2) 2x8s MIN.	(1) 2x6 MIN. END BRG. (2) 2x6 MIN. CENTER BRG.
H-2A	(2) 2x8s W/ 1/2" PLYMD.	(1) 2x6 MIN. END BRG.
H-2B	(2) 2x8s W/ 1/2" PLYMD.	(2) 2x6 MIN. END BRG.
H-3	(2) 2x10s MIN.	(2) 2x6s MIN. END BRG. (2) 2x6s MIN. CENTER BRG.
H-3B	(2) 2x10s W/ 1/2" PLYMD.	(2) 2x6s MIN. END BRG.
H-4	(2) 2x10s MIN.	(2) 2x6s MIN. END BRG. (2) 2x6s MIN. CENTER BRG.
H-5	5 1/4"x9 1/2" MICROLAM LVL.	(2) 2x6s MIN. END BRG.
H-6	5 1/4"x14" MICROLAM LVL.	(2) 2x6s MIN. END BRG.

**FRAMING NOTES**

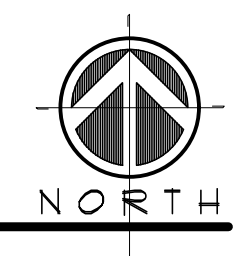
- ALL ELEVATIONS REFERENCED TO FINISH FLOOR ELEVATION +0'-0" UNLESS NOTED OTHERWISE (UNO).
- ALL DIMENSIONAL FRAMING LUMBER SHALL BE NO. 2 OR BETTER GRADE SOUTHERN PINE OR DOUGLAS FIR. LAMINATED VENEER LUMBER TO BE MICROLAM LVL. PARALLEL STRAND LUMBER TO BE IBE PARALLAM PSL BY WEYERHAEUSER OR EQUAL.
- |                                    |                       |
|------------------------------------|-----------------------|
| FLOOR DESIGN LOADS:                |                       |
| SLAB UNIFORM LIVE LOAD             | 100 PSF               |
| SLAB CONCENTRATED LIVE LOAD        | 1000 LBS              |
| ROOF DESIGN LOADS:                 |                       |
| ROOF LIVE LOAD (L)                 | 20 PSF                |
| ROOF DEAD LOAD (D)                 | 10 PSF                |
| CEILING DEAD LOAD                  | 50 PSF + DRIFT        |
| TOTAL LOAD (DL)                    | 25 PSF                |
| GROUND SNOW LOAD (Pg)              | 10                    |
| SNOW EXPOSURE FACTOR (Ce)          | 1.0                   |
| SNOW IMPORTANCE FACTOR (Is)        | 1.0                   |
| THERMAL FACTOR (Ct)                | 1.0                   |
| LIVE LOAD DEFLECTION LIMIT         | 1/360                 |
| TOTAL LOAD DEFLECTION LIMIT        | 1/240                 |
| WIND LOADS:                        |                       |
| BASIC WIND SPEED (V)               | 115 MPH               |
| WIND LOAD IMPORTANCE FACTOR (Ie)   | 1.15                  |
| WIND EXPOSURE CATEGORY             | D                     |
| SEISMIC DESIGN DATA:               |                       |
| SEISMIC IMPORTANCE FACTOR (Ie)     | 1.25                  |
| OCCUPANCY CATEGORY                 | D                     |
| SITE CLASS                         | D                     |
| SEISMIC DESIGN CATEGORY            | D                     |
| SEISMIC ANALYSIS:                  |                       |
| EQUIVALENT LATERAL FORCE PROCEDURE |                       |
| HANDRAILS & GUARDS:                |                       |
|                                    | 50 PLF                |
|                                    | 200 LBS ANY DIRECTION |
- STRUCTURAL STEEL DETAILING, FABRICATION AND ERECTION SHALL BE PER CURRENT AISC SPECIFICATIONS.
- ALL STRUCTURAL STEEL TO BE ASTM A-36 STEEL.
- LAMINATED WOOD BEAM (MICROLAM) & ROOF TRUSS MANUFACTURER SHALL FURNISH ADDITIONAL ENGINEERING SERVICES TO VERIFY ALL CONDITIONS AND DETAILS TO MEET THE PERFORMANCE GUIDELINES FOR A MINIMUM 25 YEAR INSTALLATION. MANUFACTURER SHALL FURNISH CONTRACTOR WITH INSTALLATION AND CONNECTION INFORMATION PER THEIR RECOMMENDATIONS. TRUSS DESIGN DRAWINGS SEALED BY A CERTIFIED VIRGINIA PROFESSIONAL ENGINEER TO BE SUBMITTED FOR REVIEW & APPROVAL PRIOR TO INSTALLATION PER V.C.C. 1303-41.
- WALL SHEATHING:  
1/2" EXTERIOR APA - STRUCTURAL I GRADE OSB. NAIL 4" O.C. @ EDGE & 8" O.C. @ INTERMEDIATES W/ 2" 6d COMMON OR DEFORMED SHANK NAILS
- ROOF SHEATHING:  
5/8" EXTERIOR APA - STRUCTURAL I GRADE OSB. NAIL 4" O.C. @ EDGE & 8" O.C. @ INTERMEDIATES W/ 2-1/2" 8d COMMON OR 2" 6d DEFORMED SHANK NAILS
- FLAT ROOF DECK:  
3/4" EXTERIOR APA - STRUCTURAL I GRADE OSB. NAIL 4" O.C. @ EDGE & 8" O.C. @ INTERMEDIATES W/ 2-1/2" 8d COMMON OR DEFORMED SHANK NAILS
- 6" TO PROVIDE 3/4"x1'-0" MIN. PLYWOOD CATWALKS FULL LENGTH ALONG CENTER & UNDER RIDGE LINE OF ALL PITCHED ROOF ATTIC SPACES.



**FRAMING PLAN**  
SCALE: 1/8" = 1'-0"

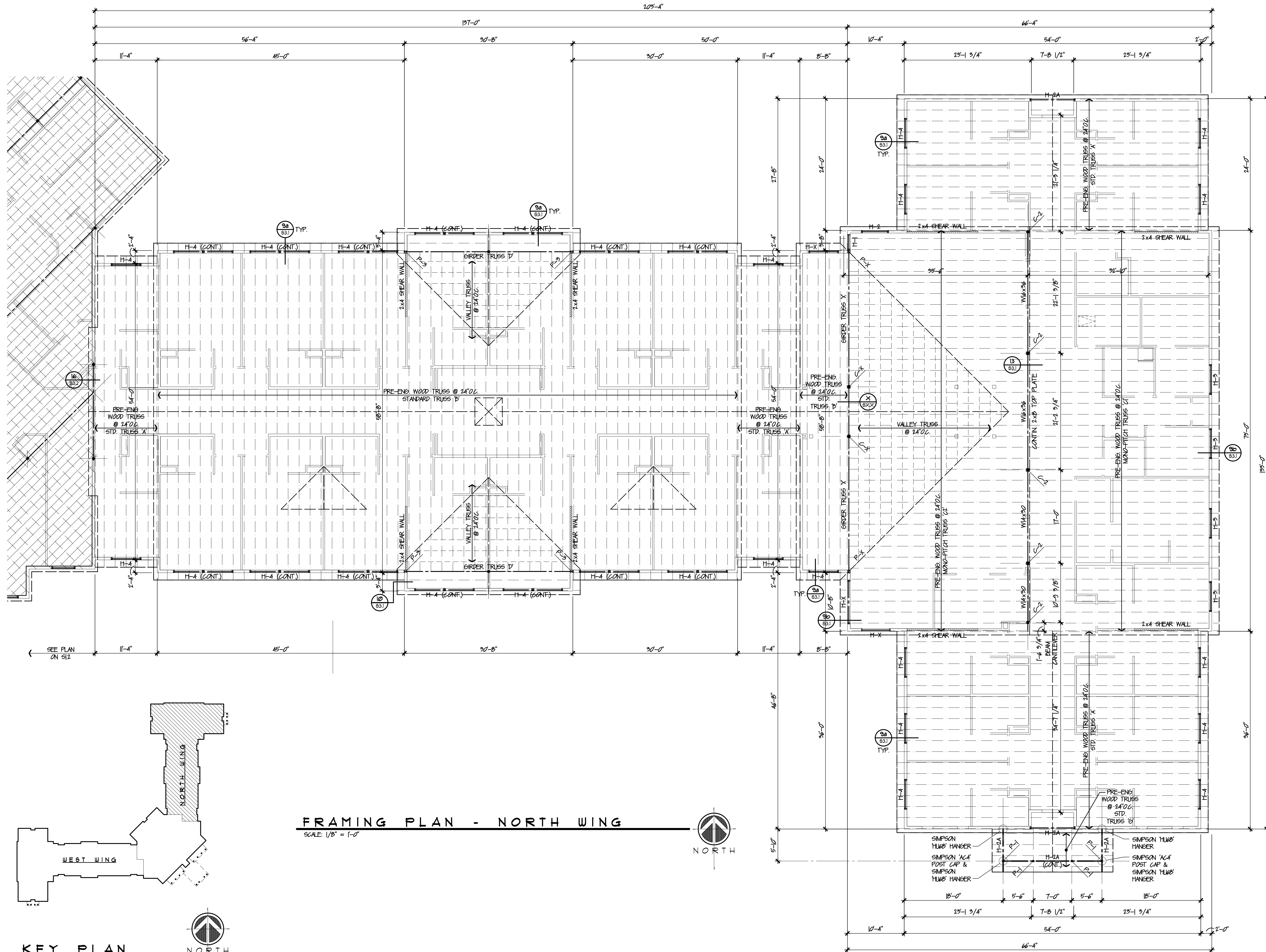


**KEY PLAN**

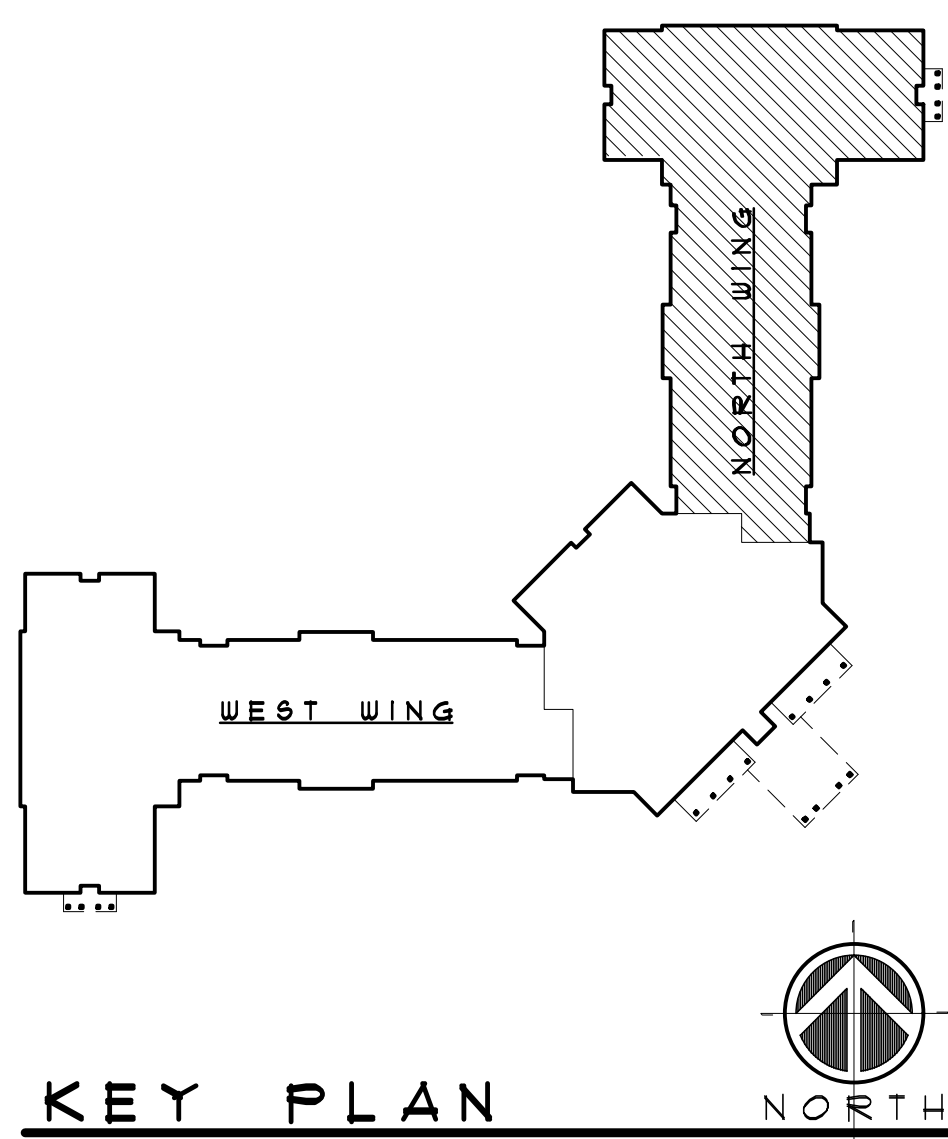


NEW 90 BED SKILLED NURSING FACILITY  
**SMITH MOUNTAIN LAKE HEALTH & REHAB CENTER**  
STATE RTE 616  
MONETA, FRANKLIN COUNTY, VIRGINIA

**PRELIMINARY**  
NOT FOR CONSTRUCTION

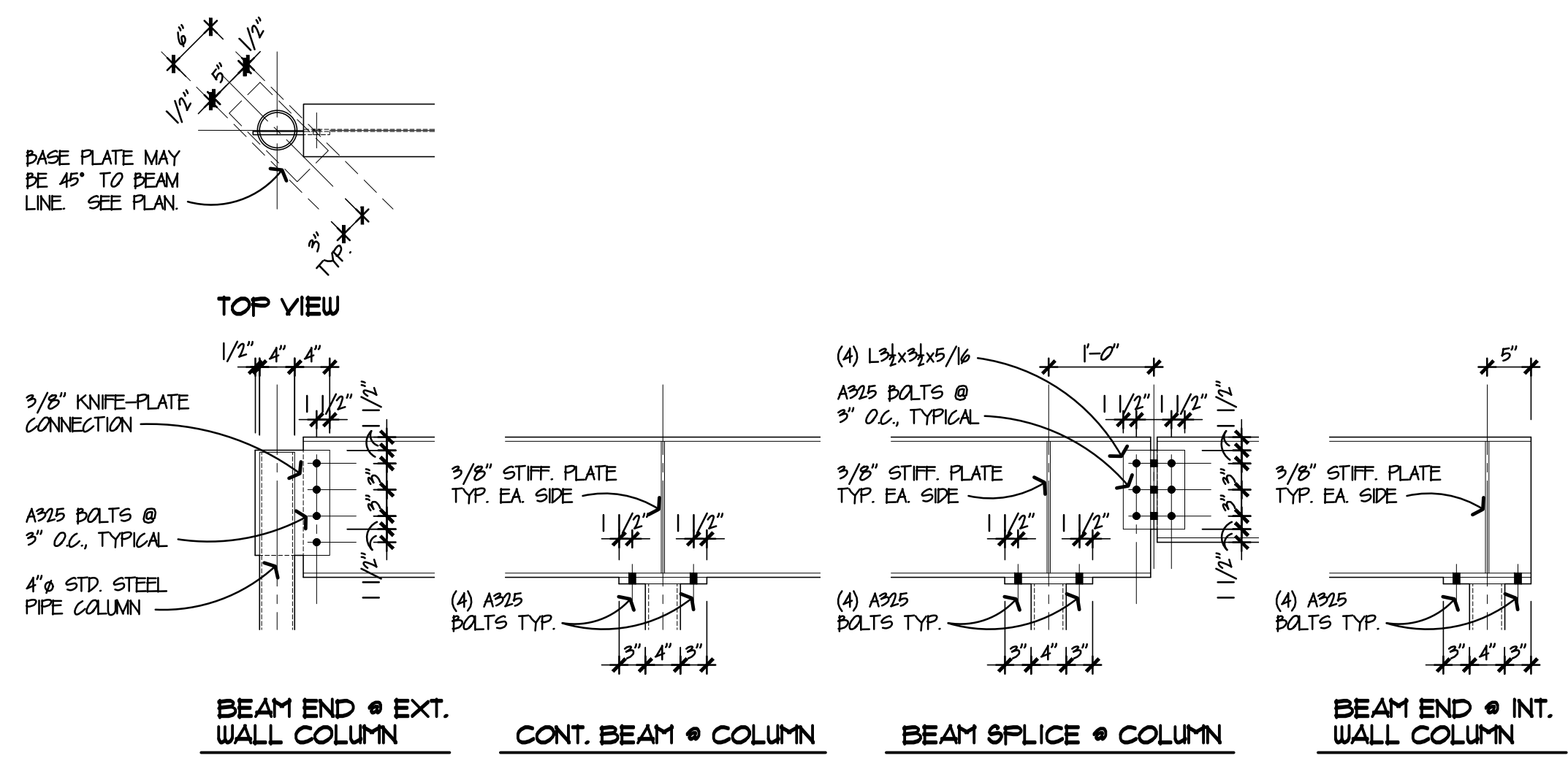


**FRAMING PLAN - NORTH WING**  
 SCALE: 1/8" = 1'-0"

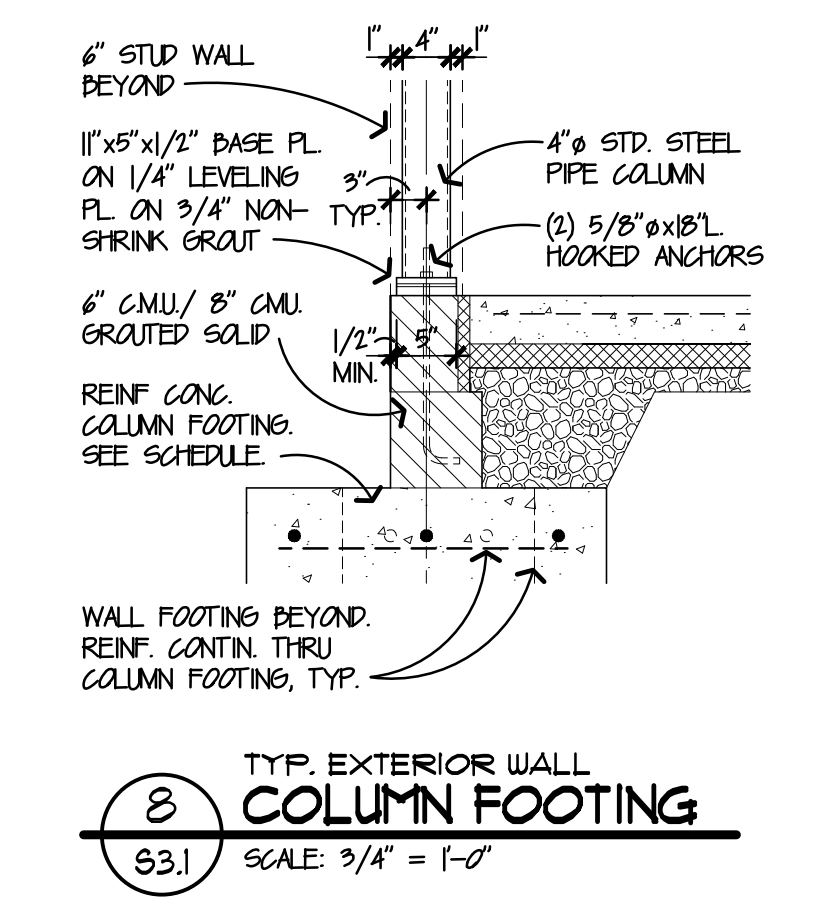
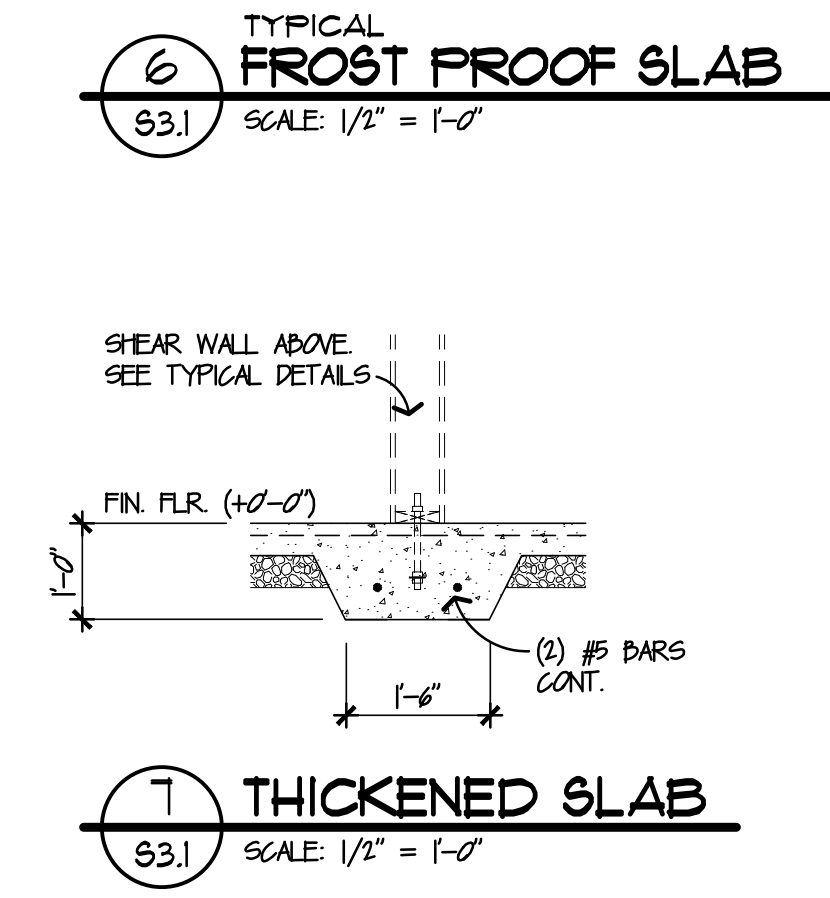
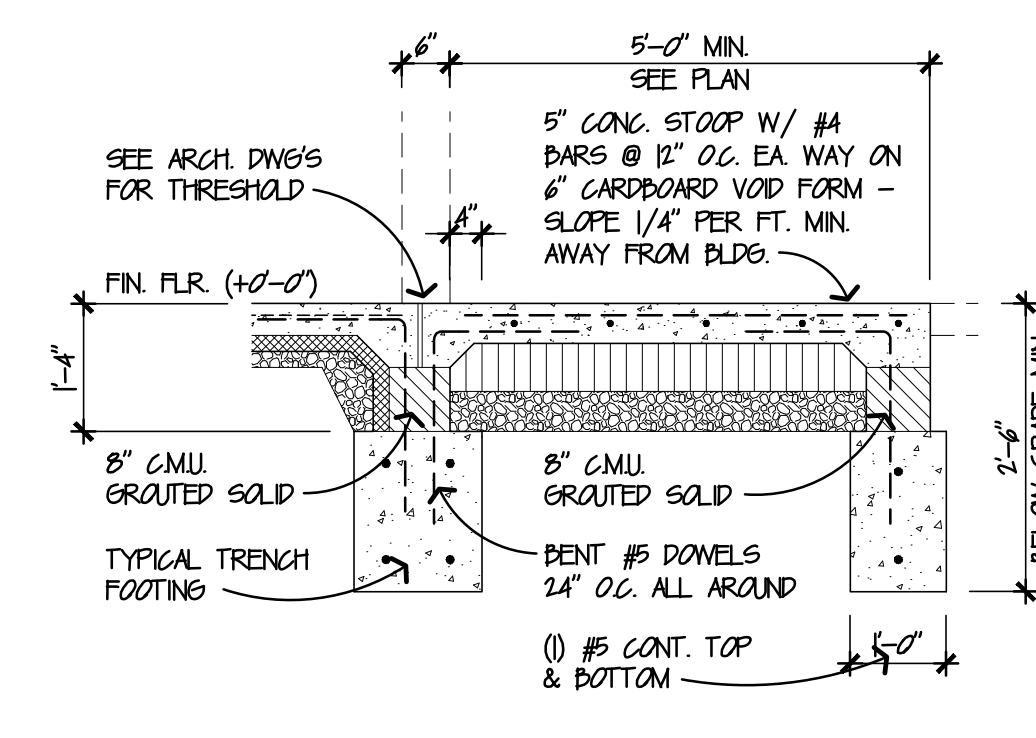
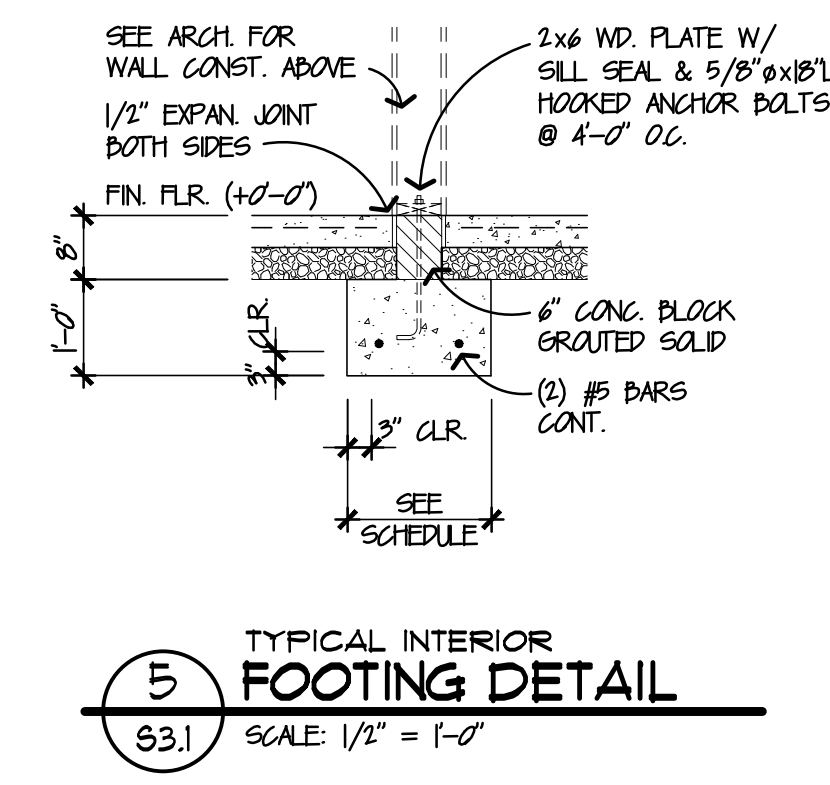


NEW 90 BED SKILLED NURSING FACILITY  
**SMITH MOUNTAIN LAKE HEALTH & REHAB CENTER**  
 STATE RTE 616  
 MONETA, FRANKLIN COUNTY, VIRGINIA

**PRELIMINARY**  
 NOT FOR CONSTRUCTION



**TYPICAL COLUMN/ BEAM CONNECTIONS**  
SCALE: 3/4" = 1'-0"

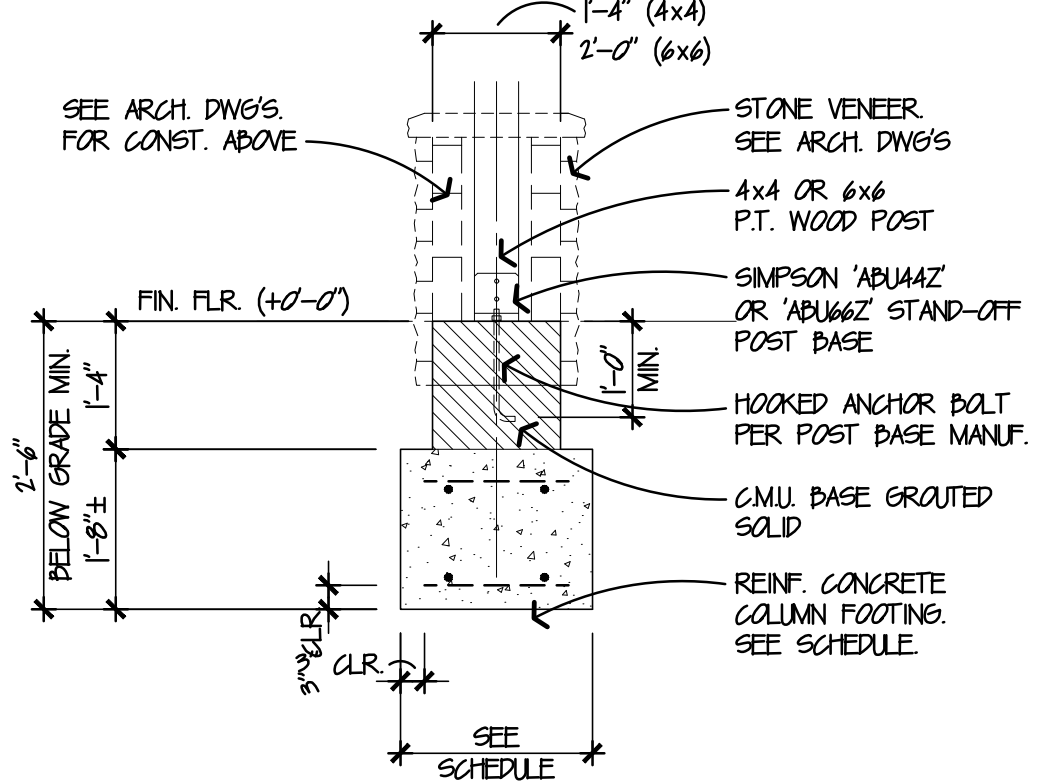
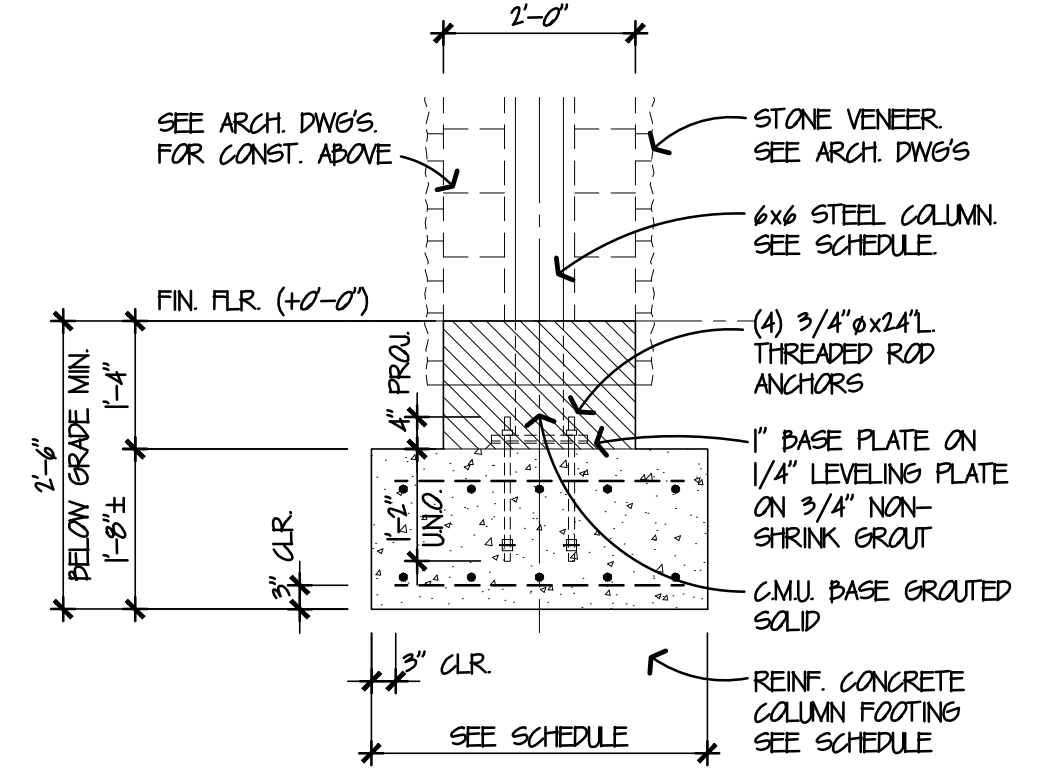


**1 TYPICAL FOOTING DETAIL**  
SCALE: 1/2" = 1'-0"

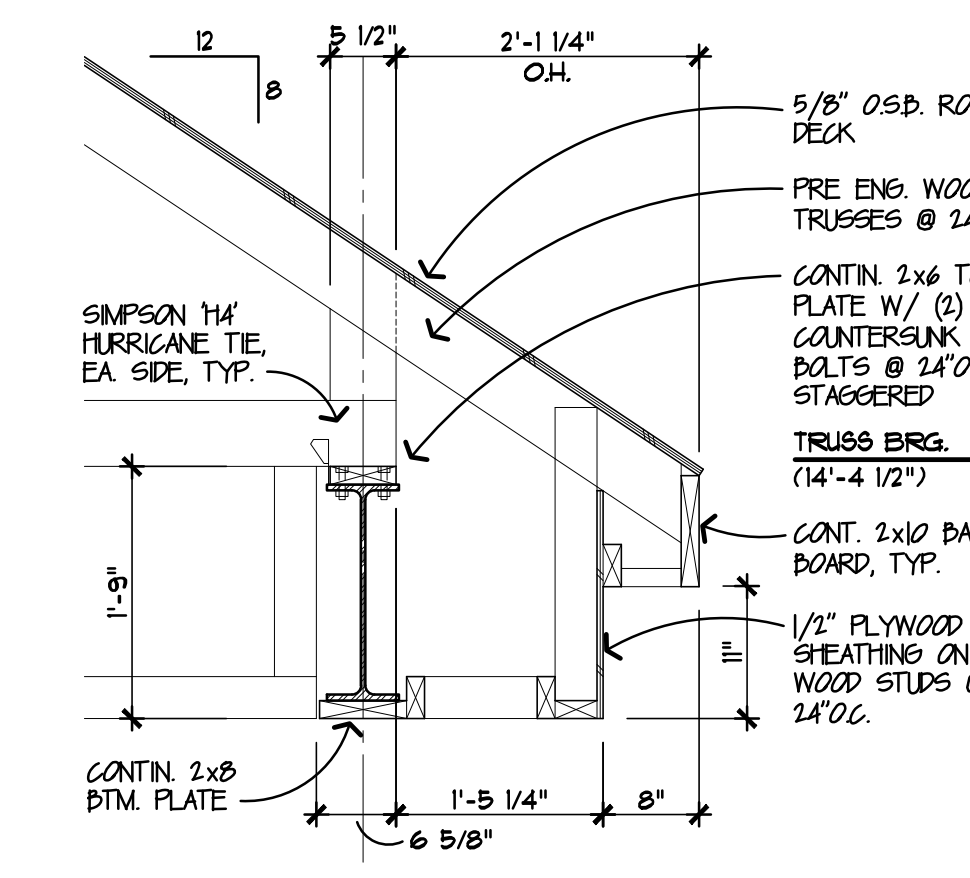
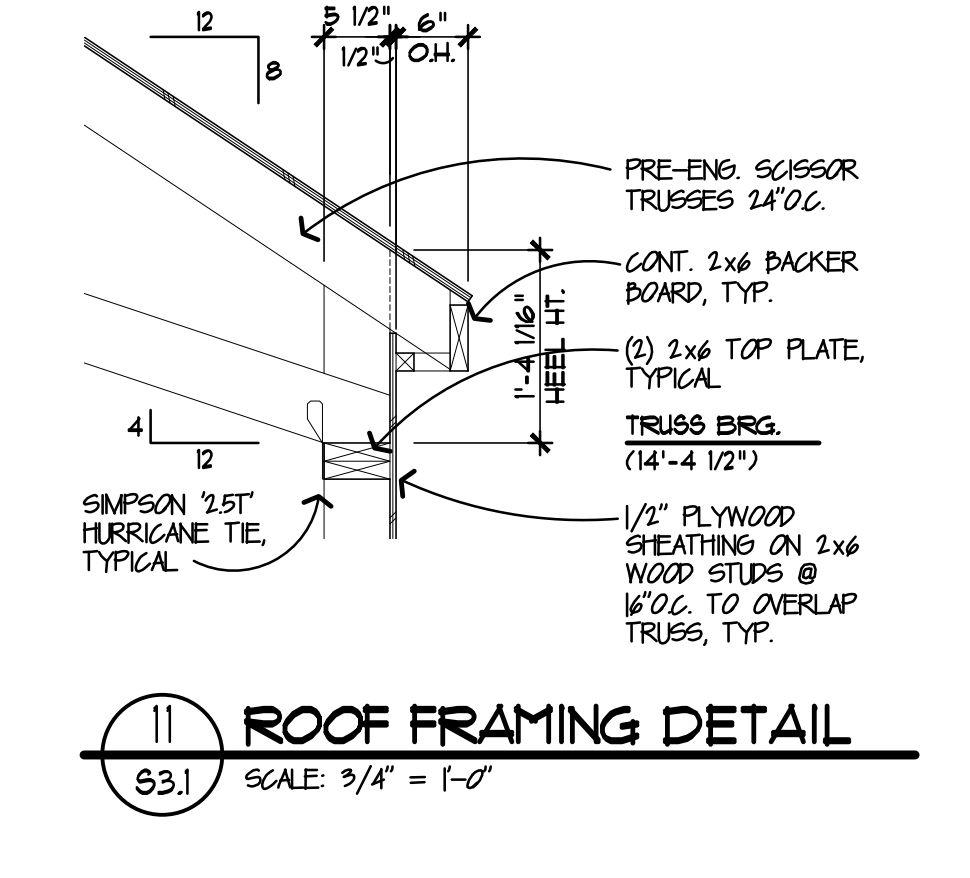
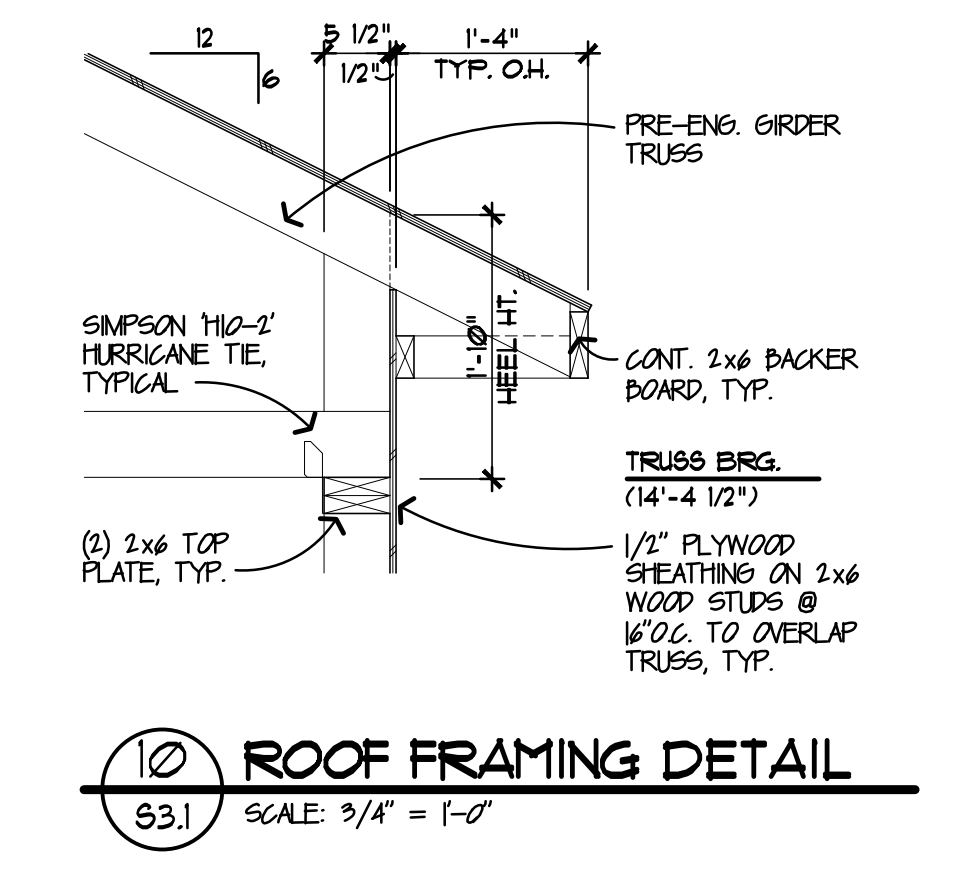
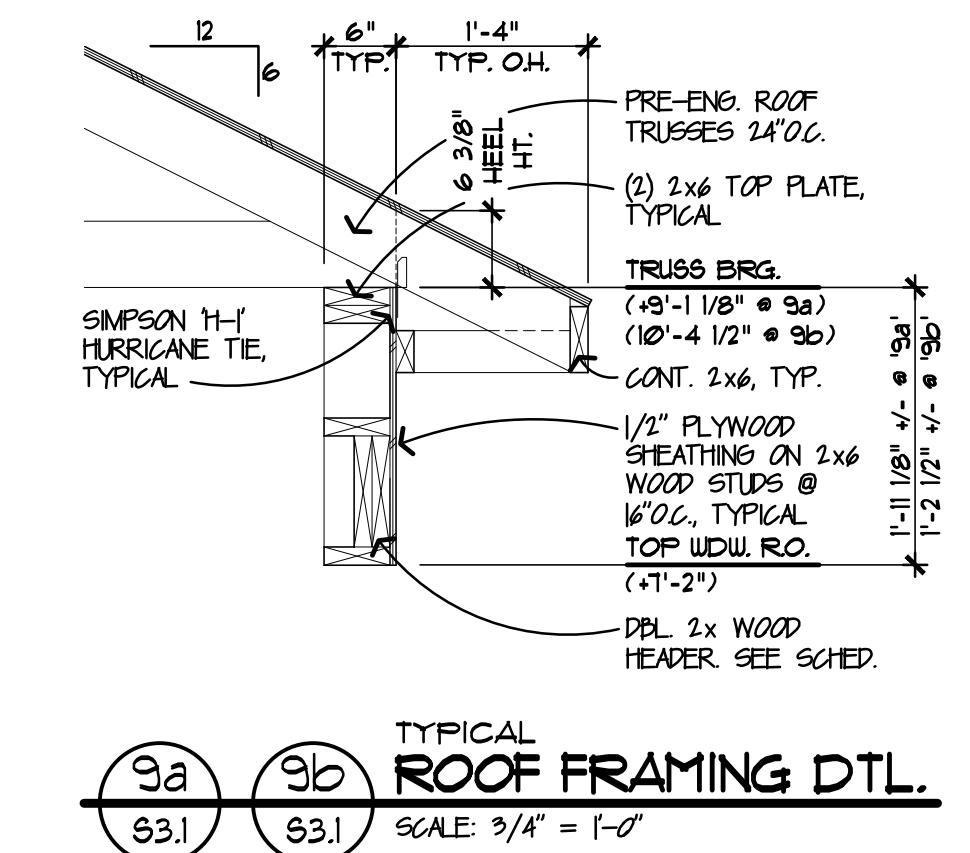
**3 TYPICAL INTERIOR COLUMN FOOTING**  
SCALE: 1/2" = 1'-0"

**7 TYPICAL THICKENED SLAB**  
SCALE: 1/2" = 1'-0"

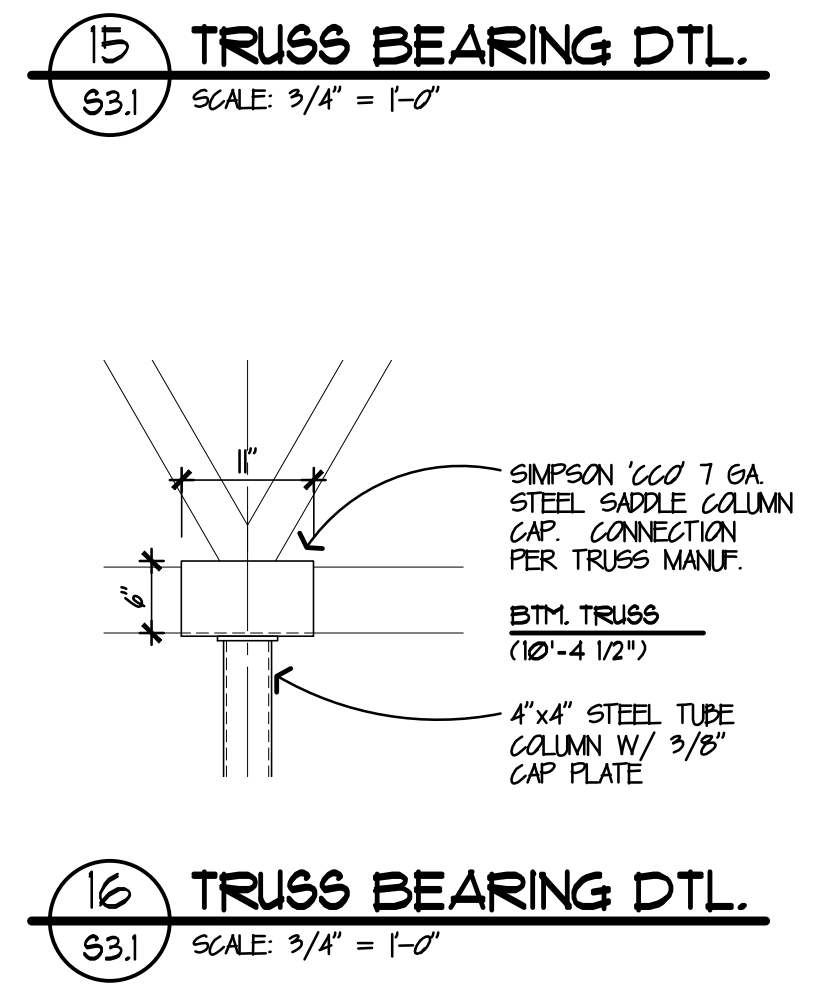
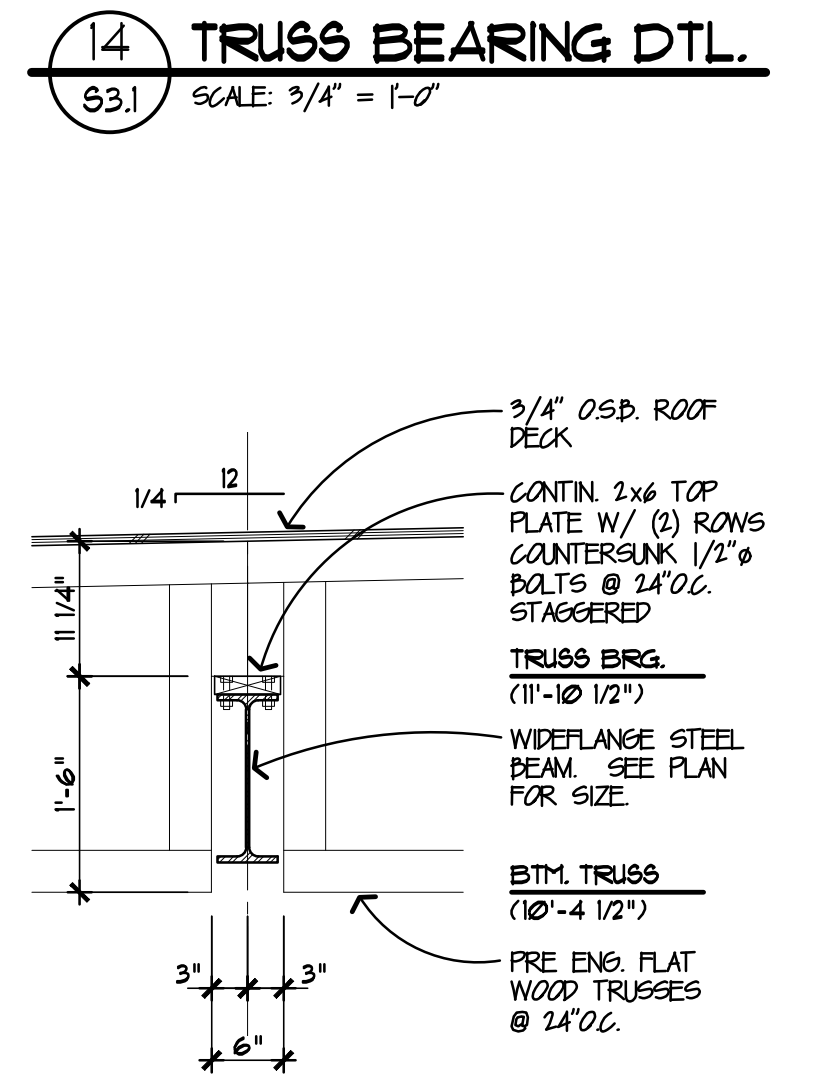
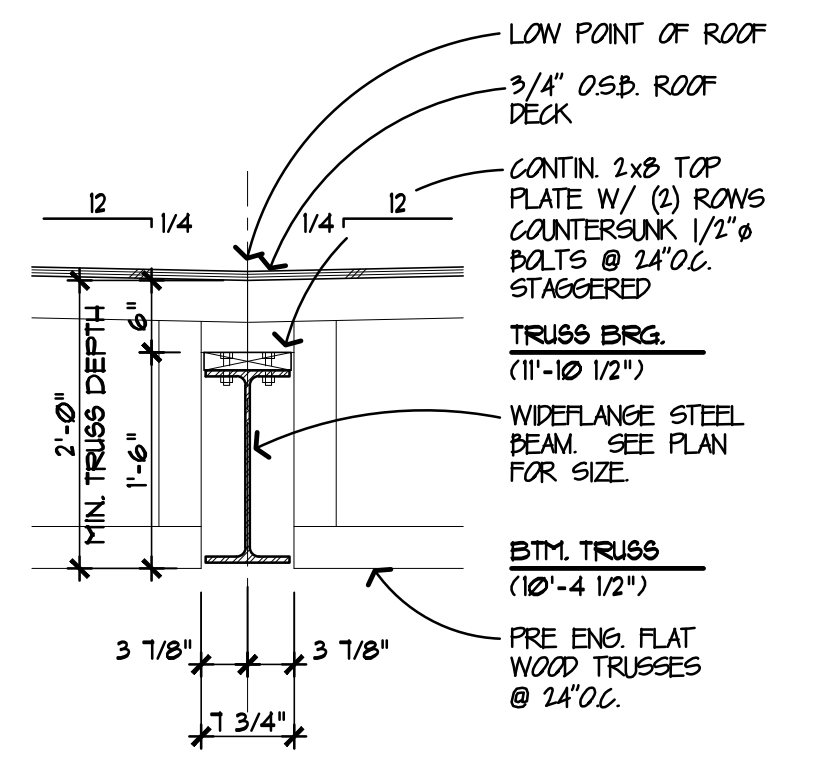
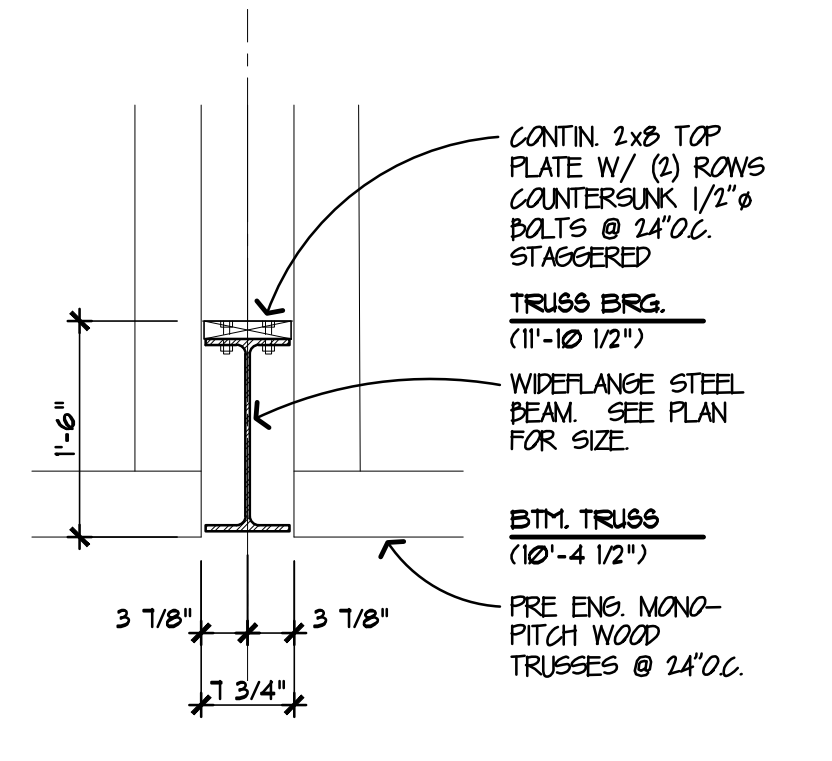
**8 TYP. EXTERIOR WALL COLUMN FOOTING**  
SCALE: 3/4" = 1'-0"



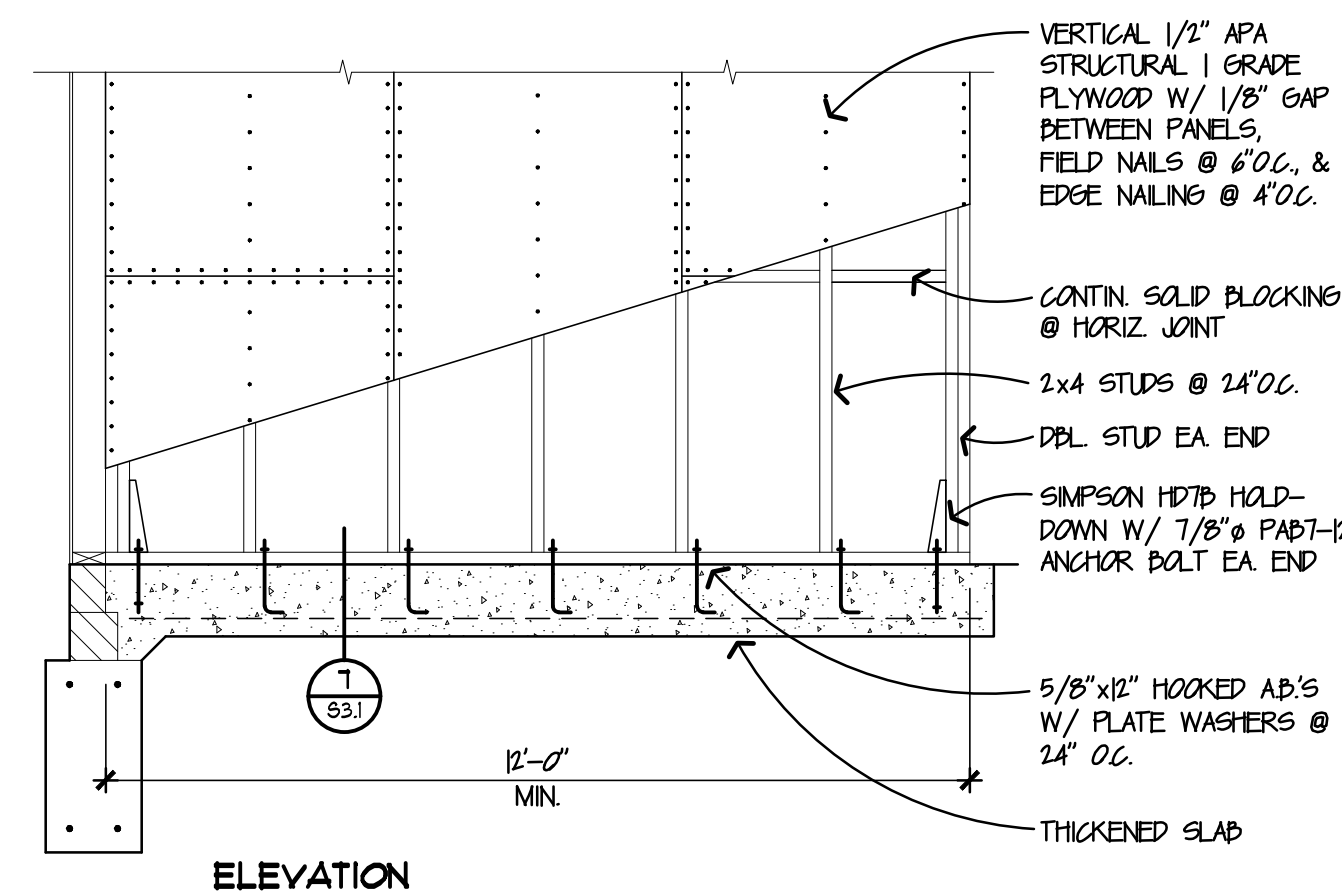
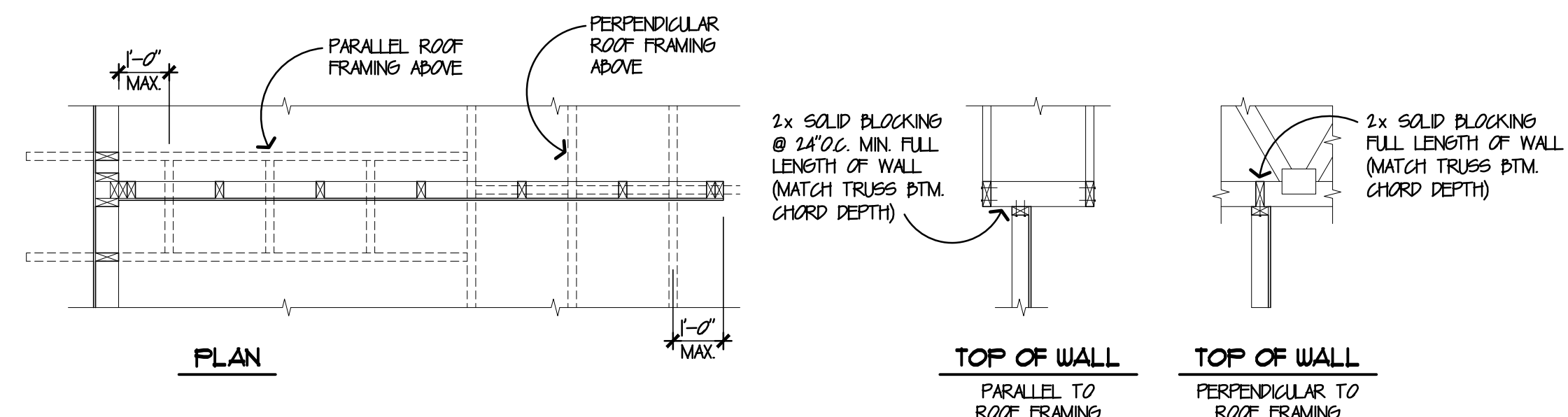
**4 PORCH COLUMN FOOTING**  
SCALE: 1/2" = 1'-0"



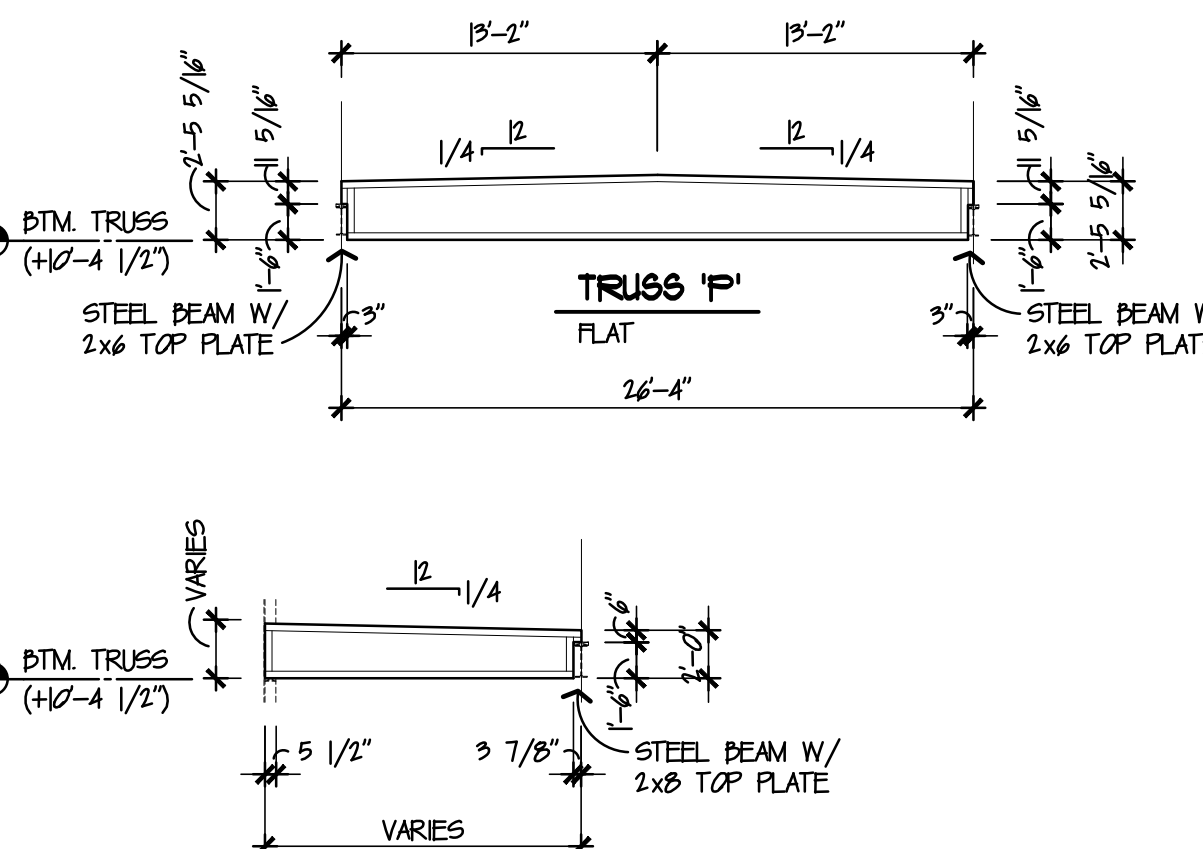
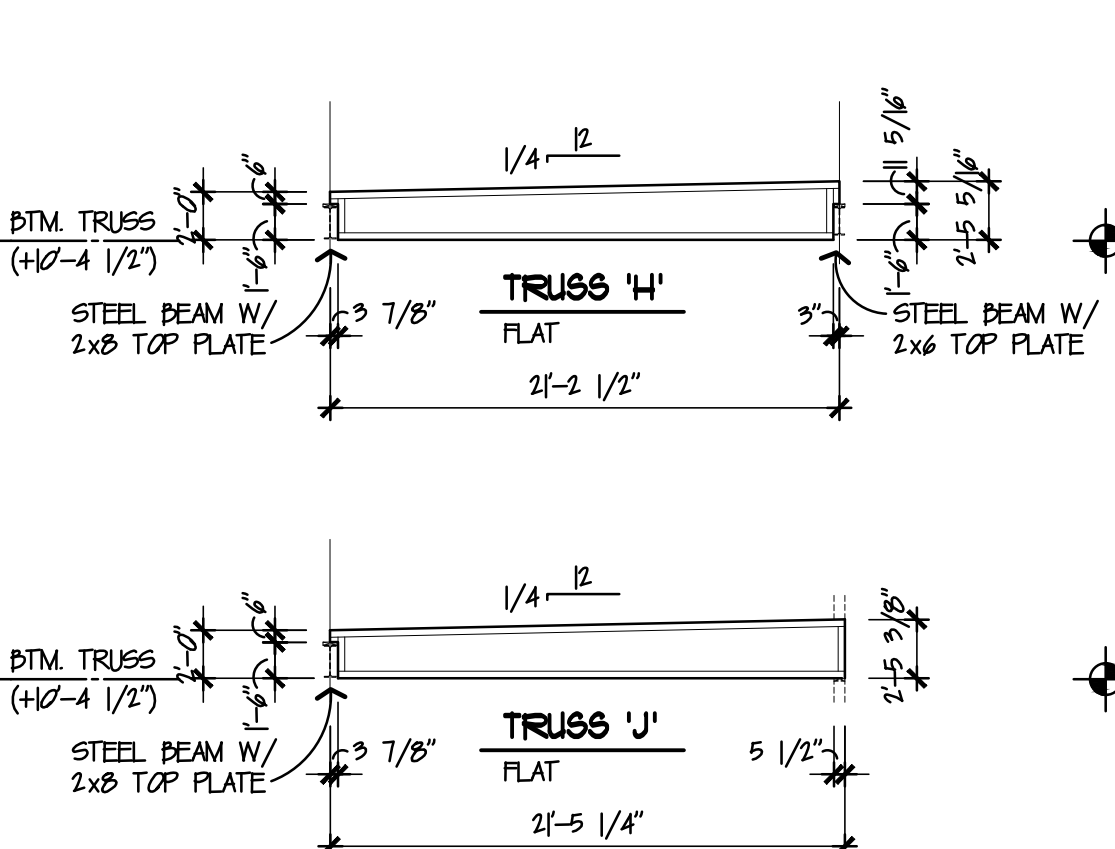
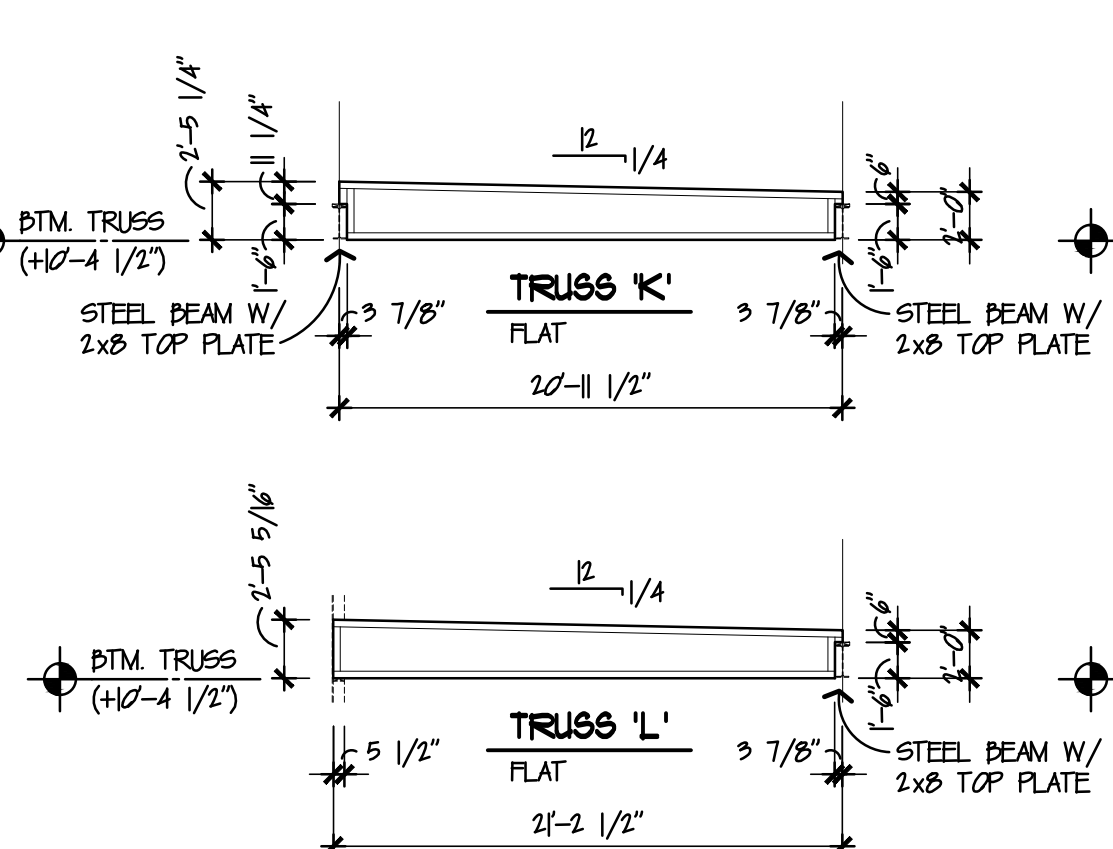
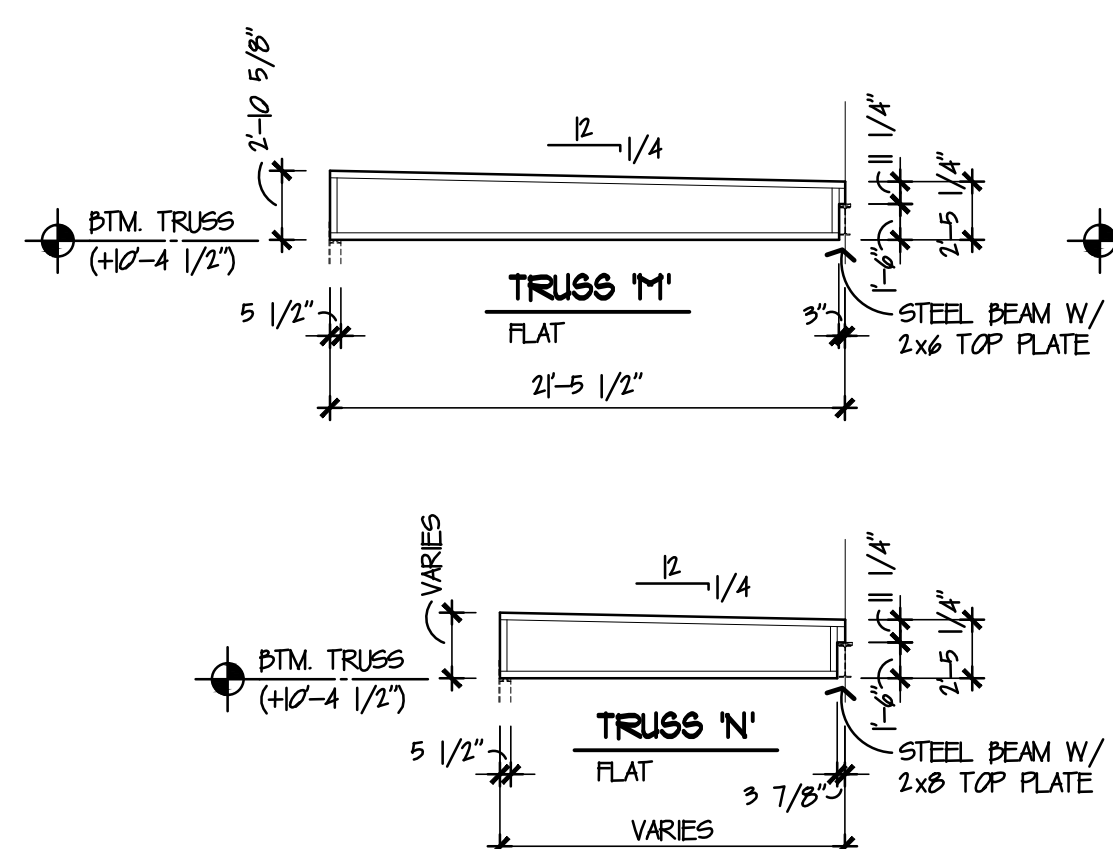
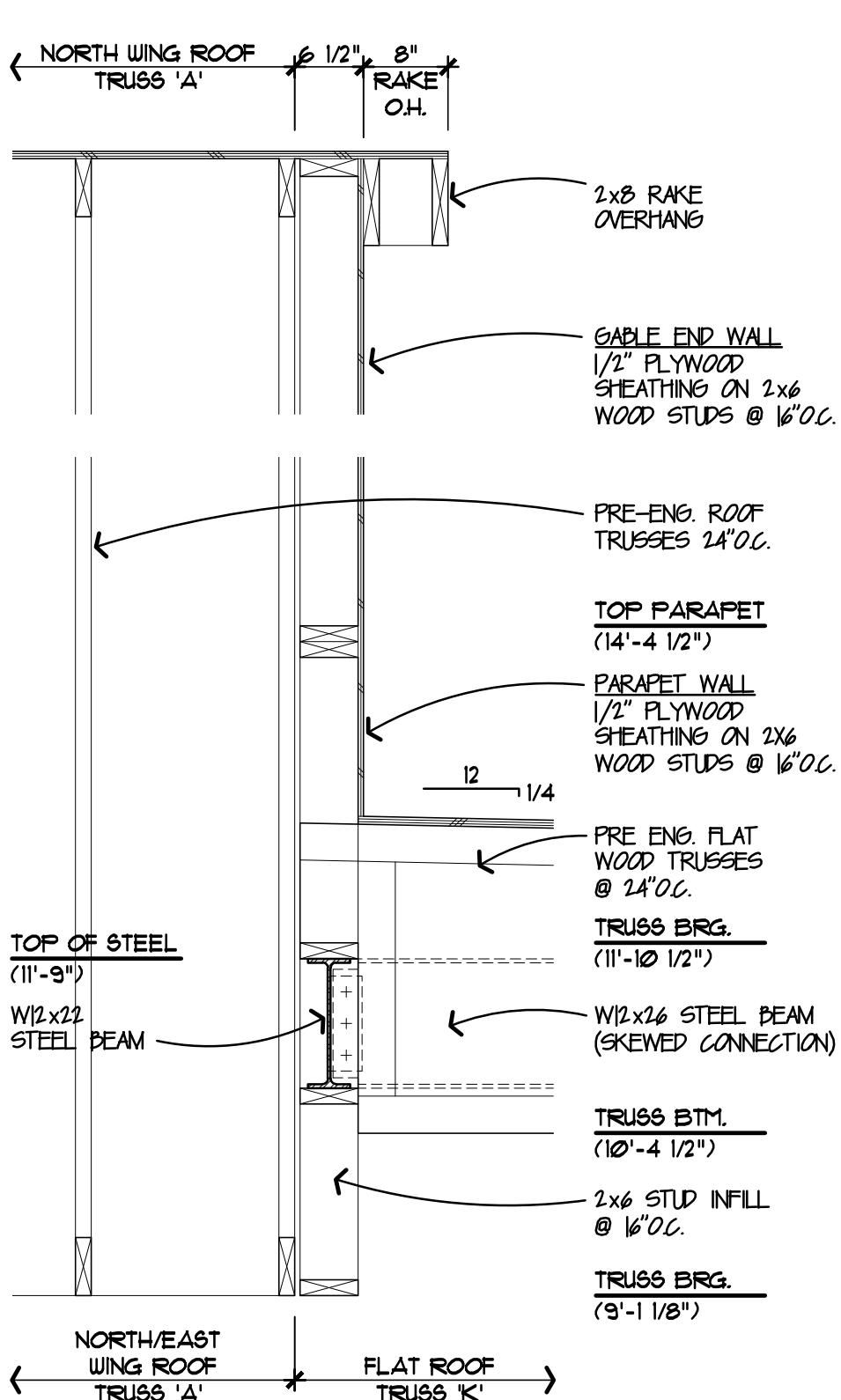
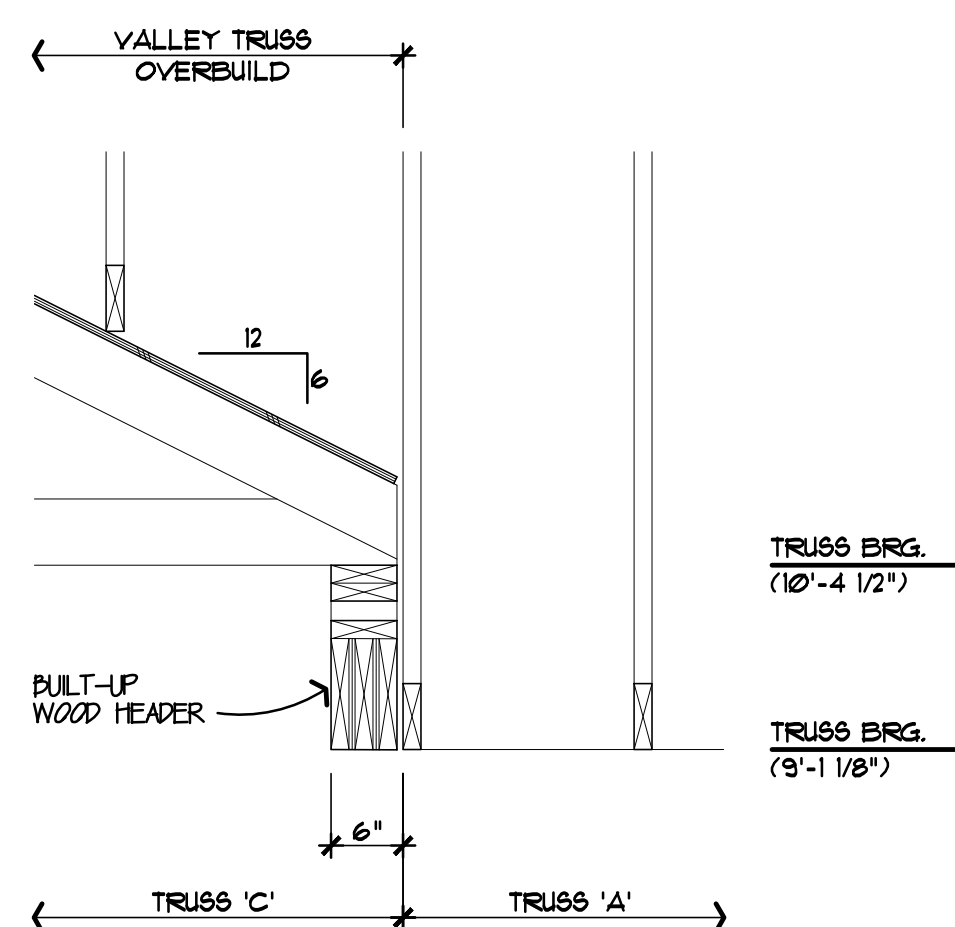
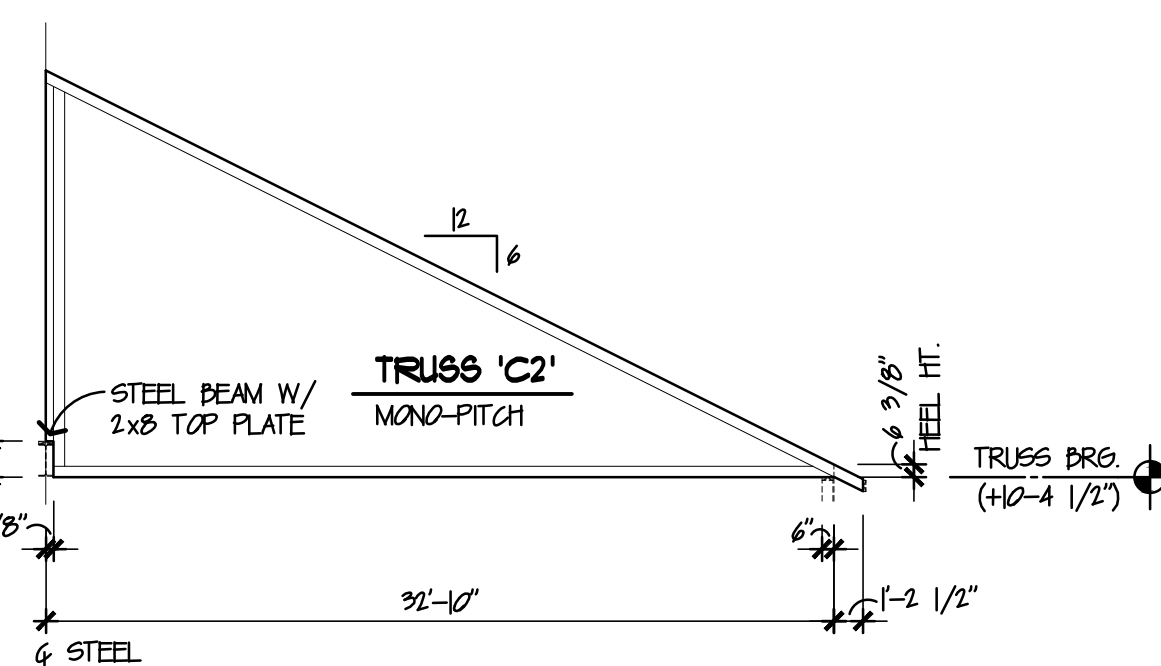
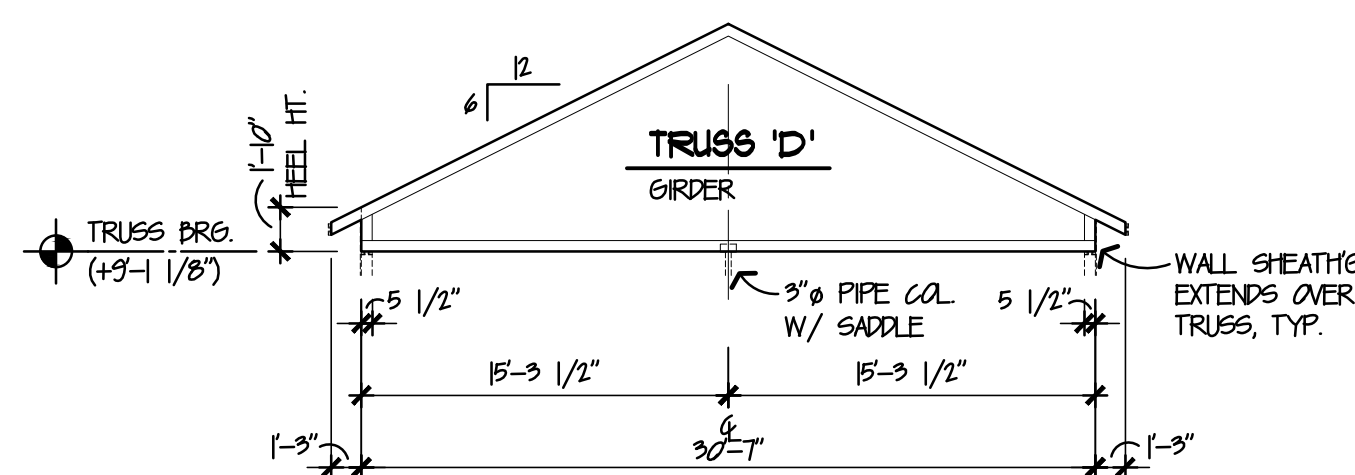
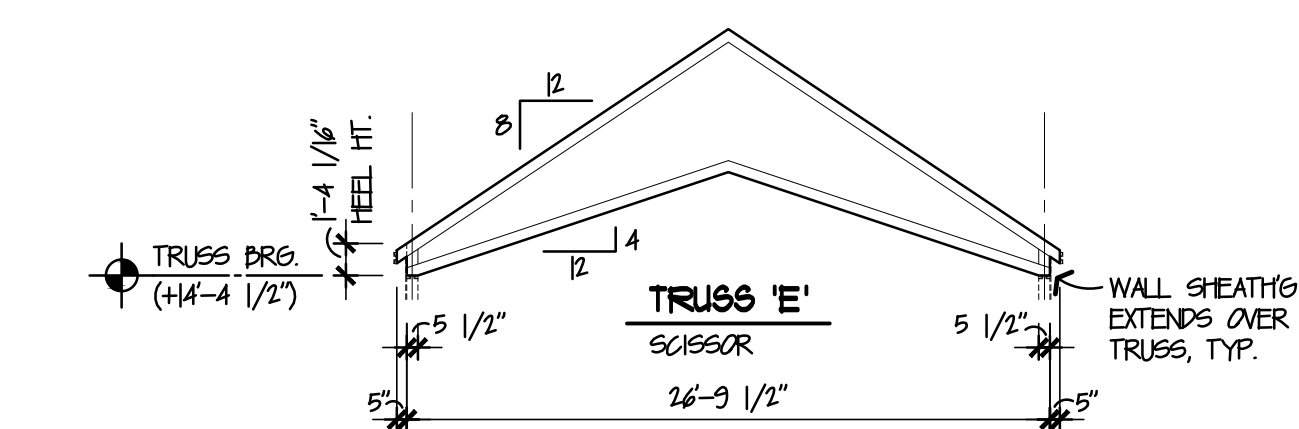
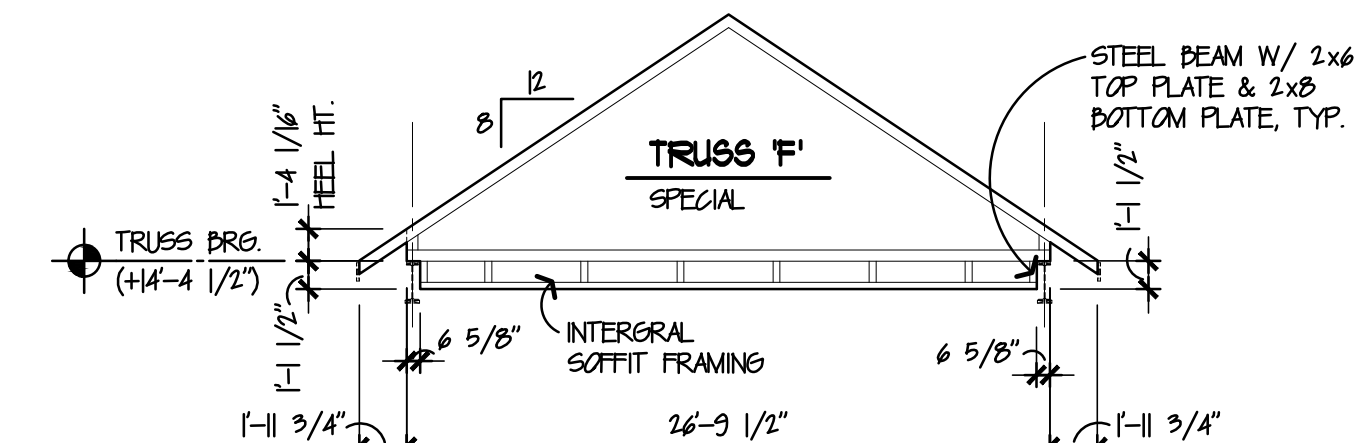
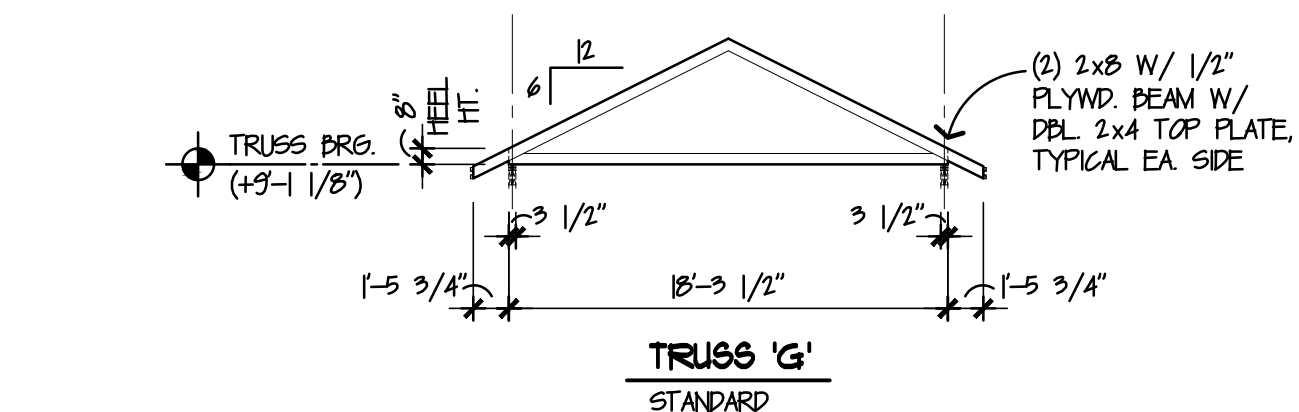
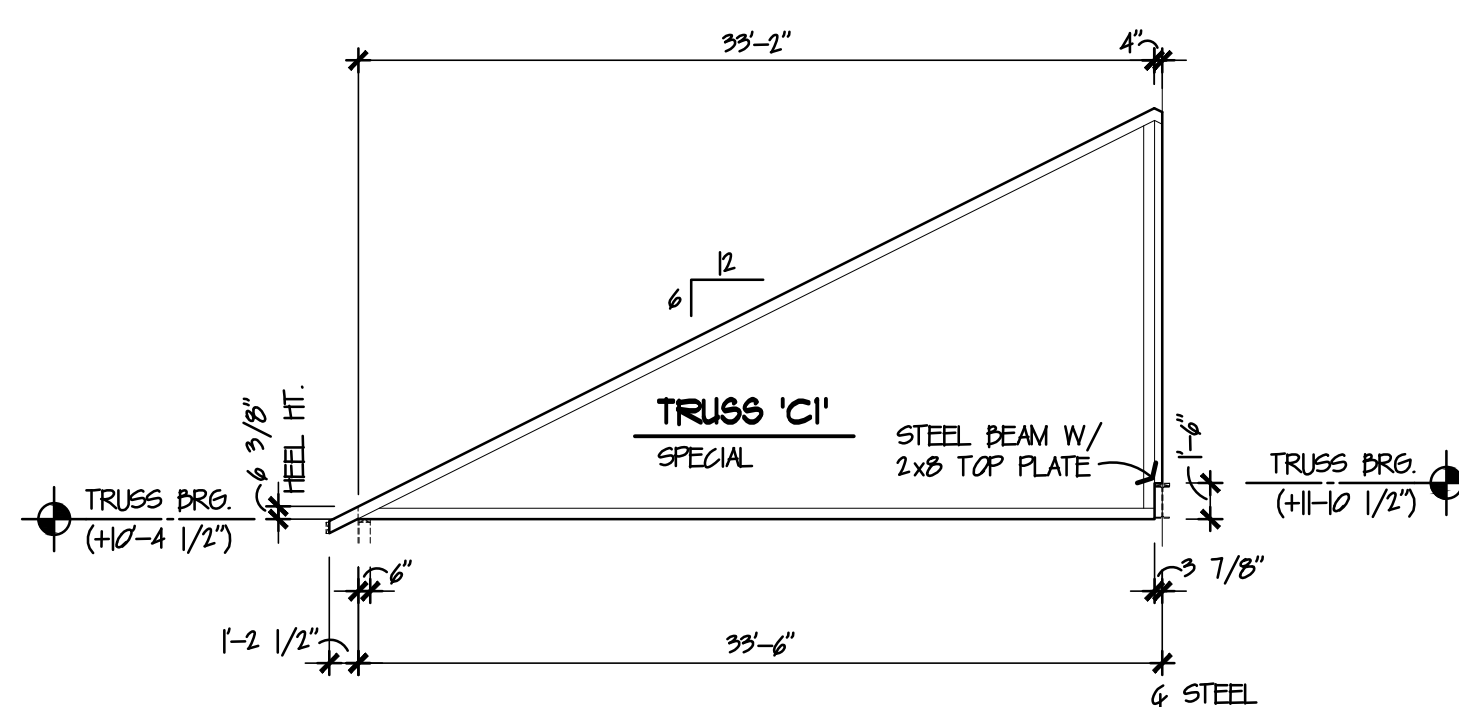
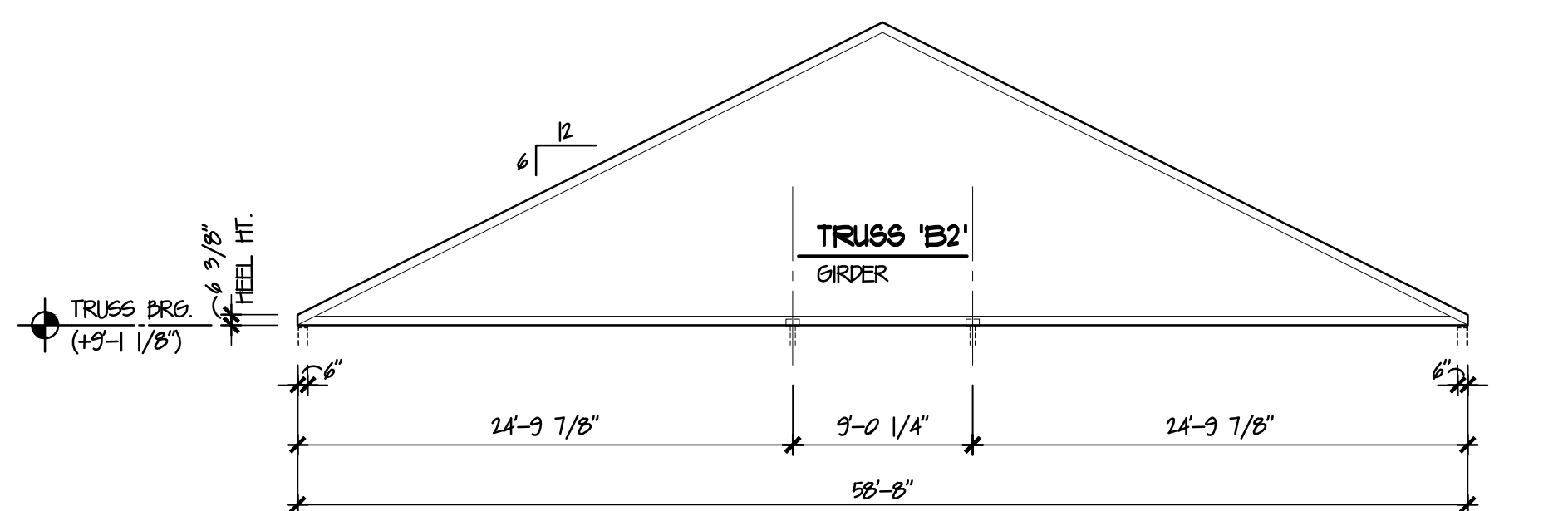
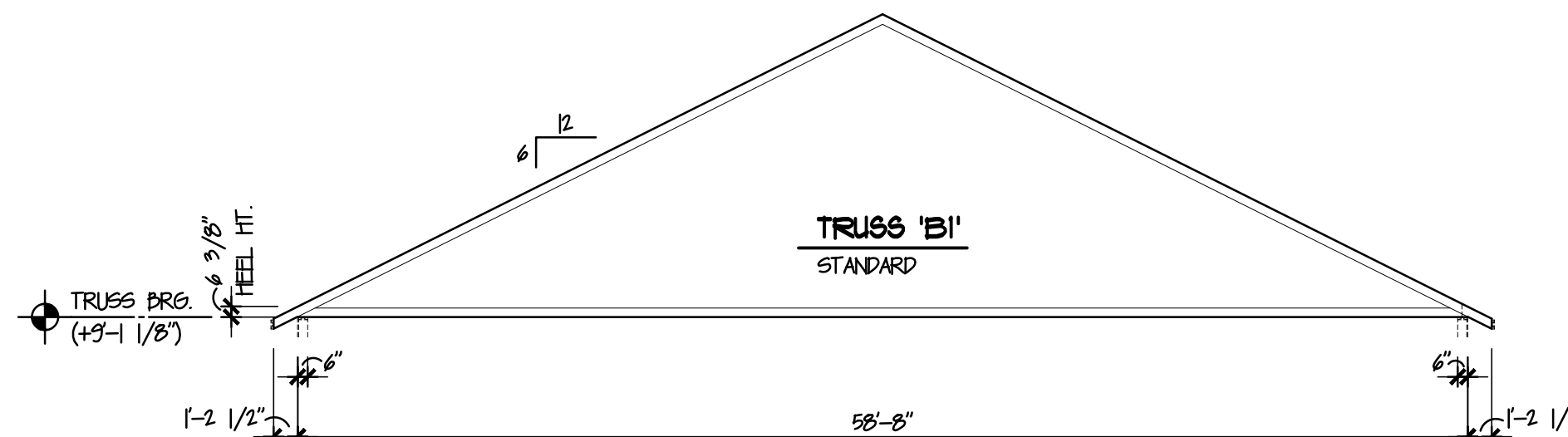
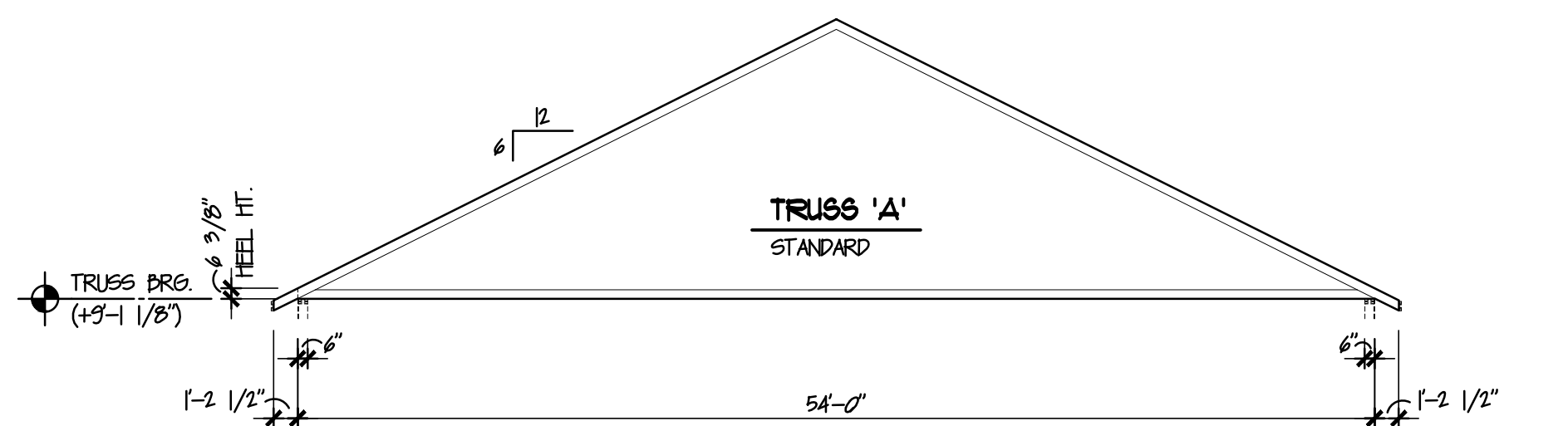
**12 ROOF FRAMING DETAIL**  
SCALE: 3/4" = 1'-0"



**16 TRUSS BEARING DTL.**  
SCALE: 3/4" = 1'-0"



**TYPICAL SHEAR WALL DETAILS**  
 SCALE: 3/8" = 1'-0"



**TRUSS BEARING DTL.**  
 S31 SCALE: 3/8" = 1'-0"

**TYPICAL TRUSS CONFIGURATIONS**  
 SCALE: 1/8" = 1'-0"

