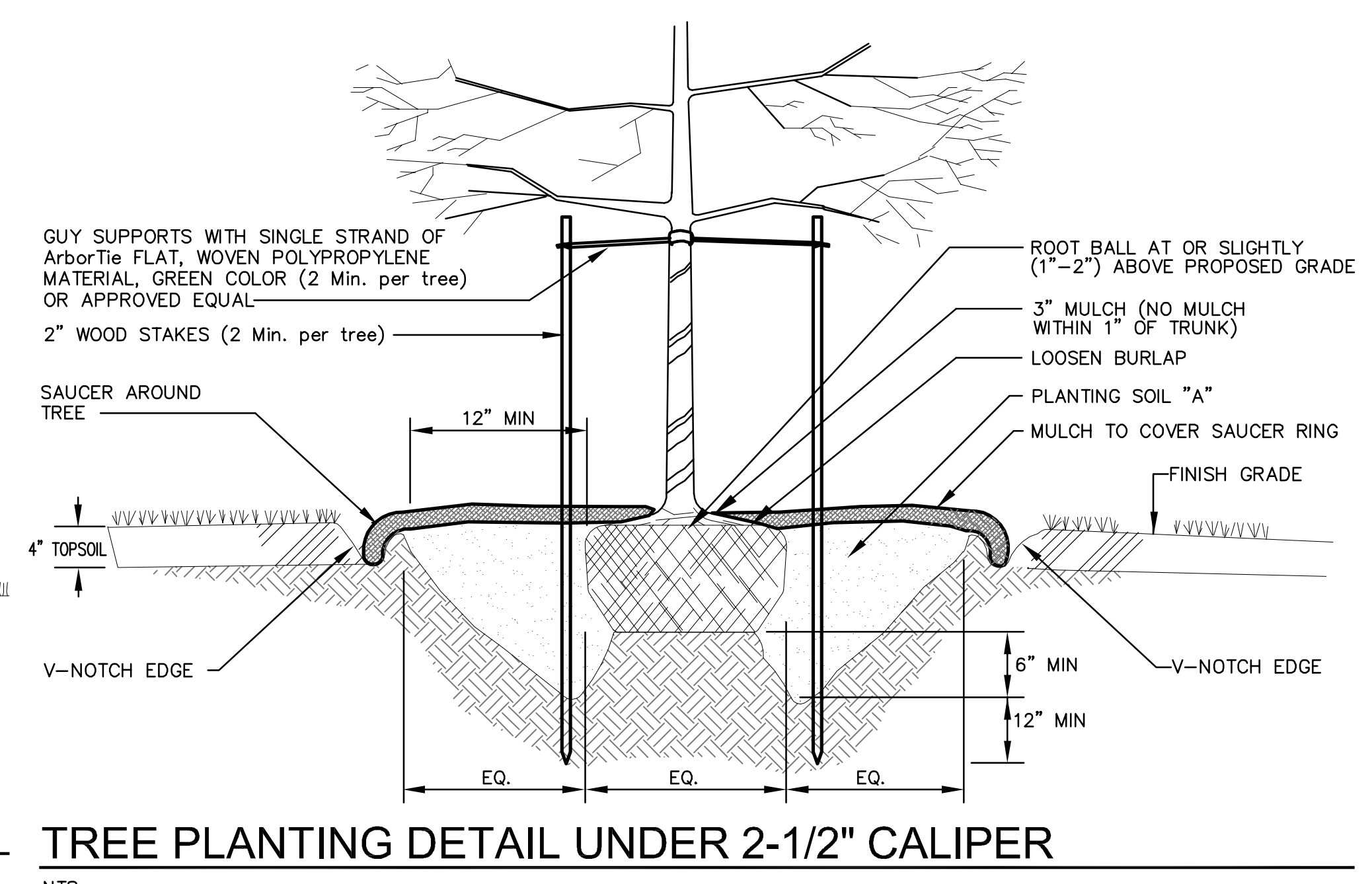
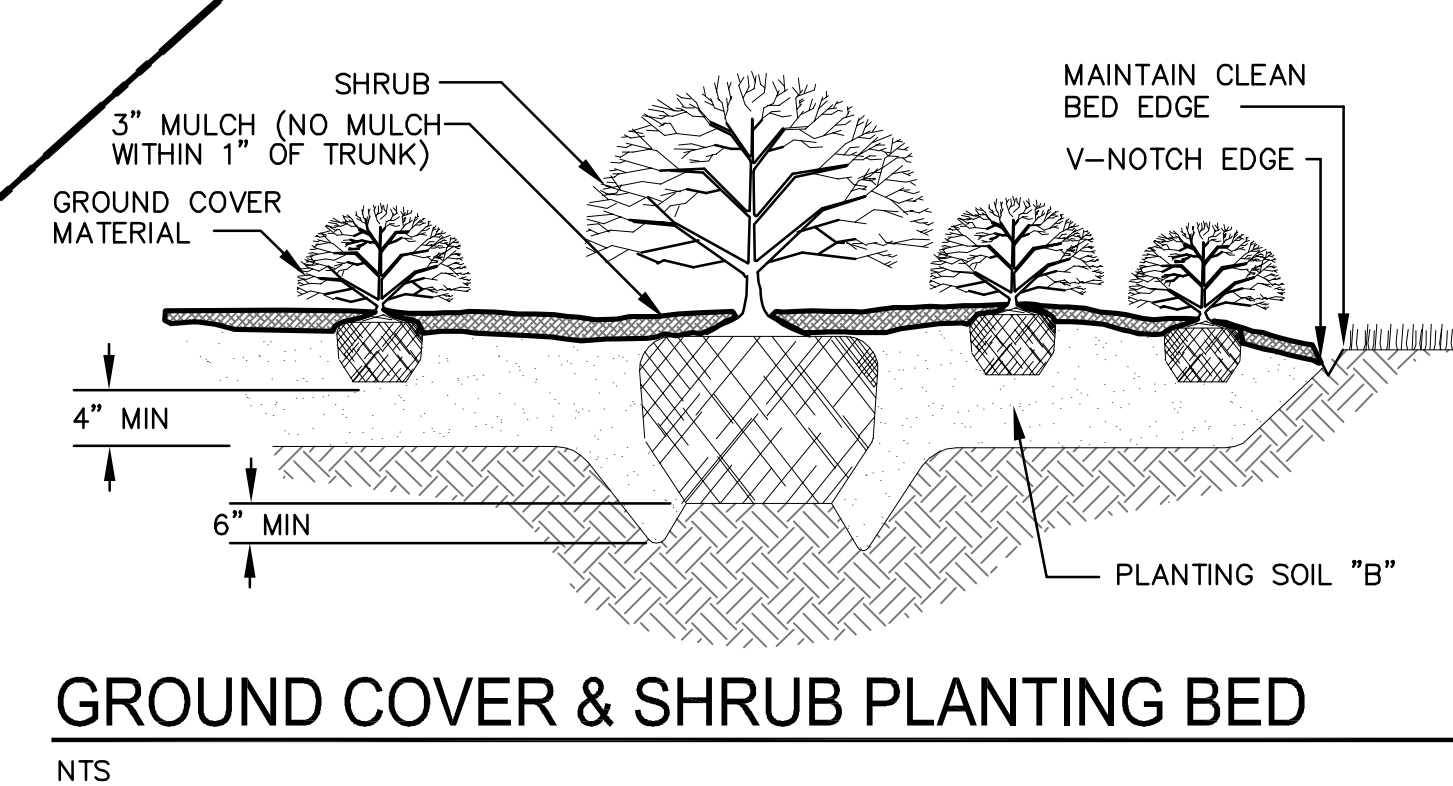
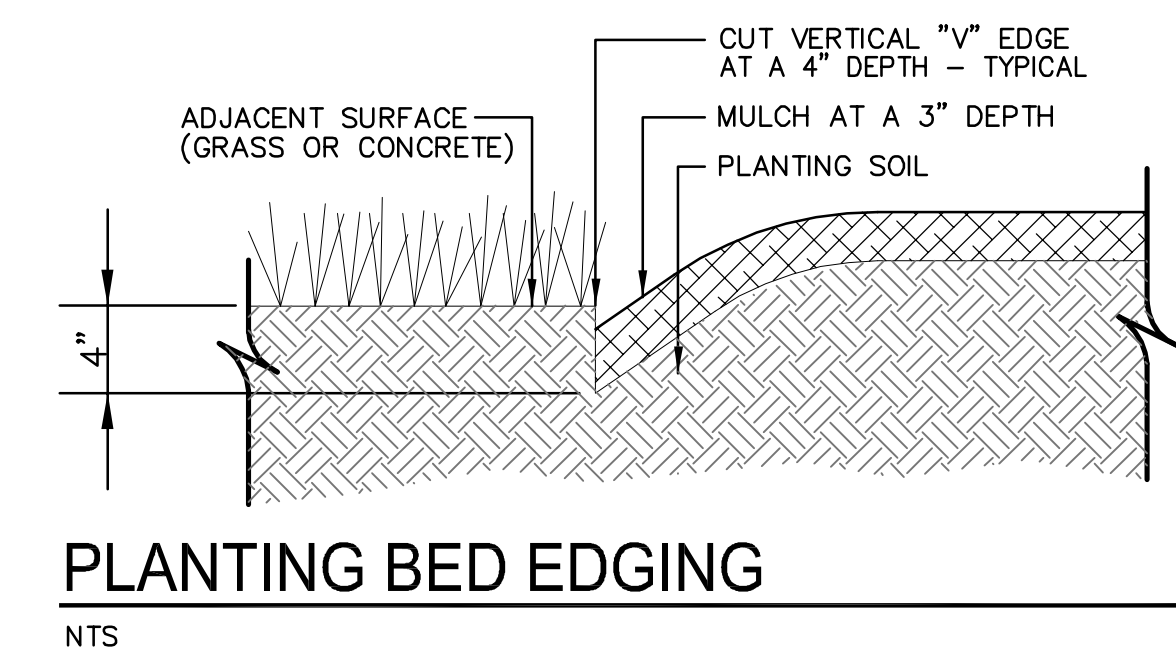


LARGE DECIDUOUS TREES

- AR ACER RUBRUM RED MAPLE
 - AS ACER SACCHARINUM SUGAR MAPLE
 - EWP PINUS STROBES EASTERN WHITE PINE
- LARGE SHRUBS**
- AV ILEX VERTICILLATA WINTERBERRY

- 1 1/2" - 2" MIN. CAL., B&B @ 30' O.C.
- 1 1/2" - 2" MIN. CAL., B&B @ 30' O.C.
- 2.5' TALL
- 24" - 30" MIN. HT. & SPD., #3 CONT. @ 5' O.C.



WALLER ENGINEERING & LAND SURVEYING, INC.
 PO BOX 44 Collinsville, Virginia 24078
 Phone: 1-276-647-3506 - chwaller@vt.edu
 Boundary & Topographic Surveys
 Residential & Commercial Site Design
 Construction Stakeout
 Grading And Erosion Control Plans

**SMITH MOUNTAIN LAKE
 HEALTH AND REHAB
 SABER HEALTHCARE
 FRANKLIN COUNTY, VIRGINIA**

DATE	
BY	
REVISION	

COMMONWEALTH OF VIRGINIA
**PRICING
 BID SET**
3/11/24
 PROFESSIONAL ENGINEER

DATE: February 26, 2024
 SCALE: AS NOTED
 DRAWN BY: CHW
 CHECKED BY: TAW
 APPROVED BY: CHW
 COMMISSION NO.: 1836
 SHEET NO.: **1 OF 1**