

WAC LIGHTING

Volo

Pendant 3000K

Fixture Type: _____

Catalog Number: _____

Project: _____

Location: _____

Model & Size	Color Temp	Finish	LED Watts	LED Lumens	Delivered Lumens
PD-22744 44"	3000K	AL Brushed Aluminum BK Brushed Black	23W	1988	1491

Example: **PD-22744-BK**

For custom requests please contact customs@wacighting.com

DESCRIPTION

Wishful lighting. Ultra thin pendant for the discerning minimalist.

FEATURES

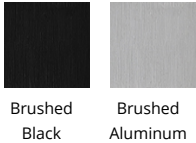
- Ultra thin pendant for the discerning minimalist
- Frosted diffuser provides even illumination
- Cable suspension carrying low voltage may be field shortened
- TRIAC dimming not available for PD-22775
- Driver concealed within the canopy
- 5 Year warranty

SPECIFICATIONS

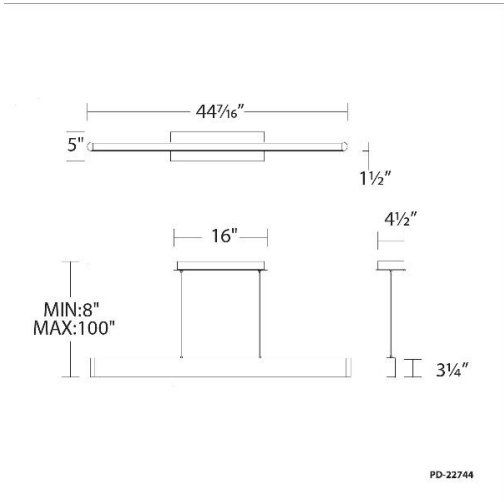
Color Temp:	3000K
Input:	120-277V,50/60Hz
CRI:	90
Dimming:	ELV: 100-10% , 0-10V: 100-5%,TRIAC: 100-10%
Rated Life:	54000 Hours
Standards:	ETL, cETL,Title 24 JA8 Compliant,Energy Star 2.0 Damp Location Listed
Construction:	Aluminum hardware with polycarbonate diffuser



FINISHES:



LINE DRAWING:



WAC LIGHTING

Volo

Pendant 3000K

Fixture Type: _____

Catalog Number: _____

Project: _____

Location: _____

Model & Size	Color Temp	Finish	LED Watts	LED Lumens	Delivered Lumens
PD-22754 54"	3000K	AL Brushed Aluminum BK Brushed Black	30W	3387	2540

Example: **PD-22754-BK**

For custom requests please contact customs@wacighting.com

DESCRIPTION

Wishful lighting. Ultra thin pendant for the discerning minimalist.

FEATURES

- Ultra thin pendant for the discerning minimalist
- Frosted diffuser provides even illumination
- Cable suspension carrying low voltage may be field shortened
- TRIAC dimming not available for PD-22775
- Driver concealed within the canopy
- 5 year warranty

SPECIFICATIONS

Color Temp:	3000K
Input:	120-277V,50/60Hz
CRI:	90
Dimming:	ELV: 100-10% , 100-5%,100-10
Rated Life:	54000 Hours
Standards:	ETL, cETL,Title 24 JA8 Compliant,Energy Star 2.0 Damp Location Listed
Construction:	Aluminum hardware with polycarbonate diffuser

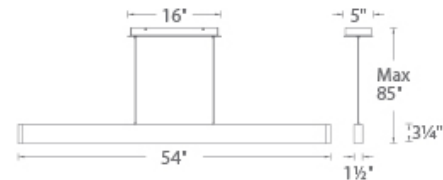


FINISHES:



Brushed Black Brushed Aluminum

LINE DRAWING:



WAC LIGHTING

Volo

Pendant 3000K

Fixture Type: _____

Catalog Number: _____

Project: _____

Location: _____

Model & Size	Color Temp	Finish	LED Watts	LED Lumens	Delivered Lumens
PD-22775 75"	3000K	AL Brushed Aluminum BK Brushed Black	44W	4087	3045

Example: **PD-22775-BK**

For custom requests please contact customs@wacighting.com

DESCRIPTION

Wishful lighting. Ultra thin pendant for the discerning minimalist.

FEATURES

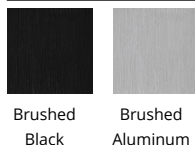
- Ultra thin pendant for the discerning minimalist
- Frosted diffuser provides even illumination
- Cable suspension carrying low voltage may be field shortened
- TRIAC dimming not available for PD-22775
- Driver concealed within the canopy
- 5 Year warranty

SPECIFICATIONS

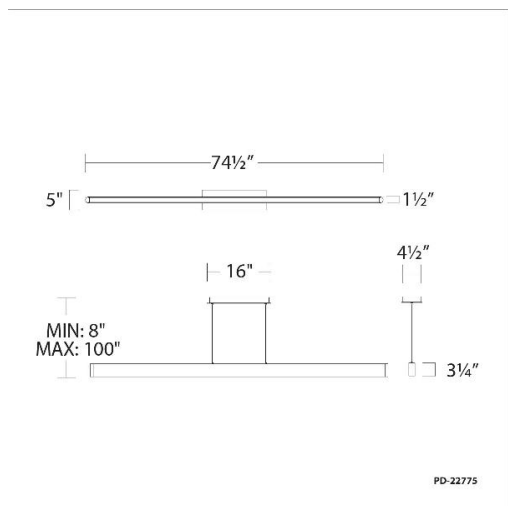
Color Temp:	3000K
Input:	120-277V,50/60Hz
CRI:	90
Dimming:	ELV: 100-10% , 0-10V: 100-5%
Rated Life:	54000 Hours
Standards:	ETL, cETL, Title 24 JA8 Compliant Damp Location Listed
Construction:	Aluminum hardware with polycarbonate diffuser



FINISHES:



LINE DRAWING:



FEATURES & SPECIFICATIONS

INTENDED USE — Typical applications include corridors, lobbies, conference rooms and private offices.

CONSTRUCTION — Galvanized steel mounting/plaster frame; galvanized steel junction box with bottom-hinged access covers and spring latches. Reflectors are retained by torsion springs. Vertically adjustable mounting brackets with commercial bar hangers provide 3-3/4" total adjustment. Two combination 1/2"-3/4" and four 1/2" knockouts for straight-through conduit runs. Capacity: 8 (4 in, 4 out). No. 12 AWG conductors, rated for 90°C. Accommodates 12"-24" joist spacing.

Passive cooling thermal management for 25°C standard. Light engine and drivers are accessible from above or below ceiling.

Ceiling thickness range 1/2" to 1-1/2".

OPTICS — 55° cutoff to source and source image.

80CRI standard (90CRI optional)

LEDs are binned to a 3-step MacAdam Ellipse

A+ CAPABLE LUMINAIRE — This item is an A+ capable luminaire, which has been designed and tested to provide consistent color appearance and out-of-the-box control compatibility with simple commissioning when used with Acuity Brands controls products. All configurations of this luminaire are calibrated and tested to meet the Acuity Brands' specifications for chromatic consistency – including color rendering, color fidelity and color temperature tolerance around standard CIE chromaticity coordinates. To learn more about A+ standards, specifications, and testing visit www.acuitybrands.com/aplus.

UGR — UGR is zero for fixtures aimed at nadir with a cut-off equal to or less than 60deg per CIE 117-1996 Discomfort Glare in Interior Lighting. [UGR FAQs](#)

ELECTRICAL — Adjustable lumen output with four module options.

MVOLT 120/277V 50/60Hz driver (0-10V & 120V Phase Dimming to 10% or 1% min dimming level). DALI driver dimming to 1% also available

FCC CFR Title 47 Part 15 Class A for 277V. FCC CFR Title 47 Part 15 Class B for 120V.

LUMEN MAINTENANCE —

L80 @ 60,000 hours

LISTINGS — Certified to US and Canadian safety standards. Title 24 compliant (90CRI, up to 1000lm) Wet location, requires covered ceiling. Wallwash suitable for damp locations only. Some configurations are Energy Star certified, please visit www.energystar.gov for specific products.

WARRANTY — 5-year limited warranty. This is the only warranty provided and no other statements in this specification sheet create any warranty of any kind. All other express and implied warranties are disclaimed. Complete warranty terms located at: www.acuitybrands.com/support/warranty/terms-and-conditions

Note: Actual performance may differ as a result of end-user environment and application. All values are design or typical values, measured under laboratory conditions at 25 °C. Specifications subject to change without notice.

PERFORMANCE DATA

LDN6 AR LS	Wattage	80CRI							
		30K/80CRI		35K/80CRI		40K/80CRI		50K/80CRI	
Lumen Output		Delivered Lumens	LPW	Delivered Lumens	LPW	Delivered Lumens	LPW	Delivered Lumens	LPW
ALO1 (500LM)	6	605	100	615	101	623	102	630	102
ALO1 (750LM)	9	909	101	925	102	936	103	948	104
ALO1 (1000LM)	13	1268	98	1290	99	1306	100	1322	100
ALO2 (1000LM)	12	1360	112	1383	113	1400	113	1418	114
ALO2 (1500LM)	19	2004	108	2038	109	2063	110	2089	110
ALO2 (2000LM)	25	2547	103	2590	104	2622	104	2655	105
ALO3 (2000LM)	25	2655	106	2700	107	2733	108	2768	108
ALO3 (2500LM)	32	3214	101	3269	102	3309	103	3351	103
ALO3 (3000LM)	38	3670	96	3732	97	3778	98	3825	98
ALO4 (4000LM)	39	4035	104	4117	107	4199	109	4241	110
ALO4 (4500LM)	44	4453	101	4544	103	4635	105	4680	107
ALO4 (5000LM)	49	5345	108	5454	111	5563	113	5617	114

Notes

Tested in accordance with IESNA LM-79-08

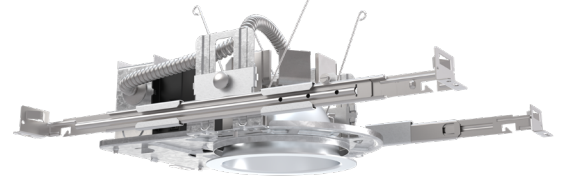
Tested to current IES and NEMA standards under stabilized laboratory conditions

CRI: 80 typical.

Catalog Number
Notes
Type

LDN6 SWITCHABLE

6" OPEN
New Construction Downlight

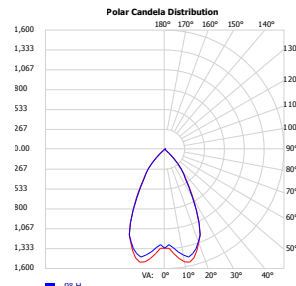


Open Trim

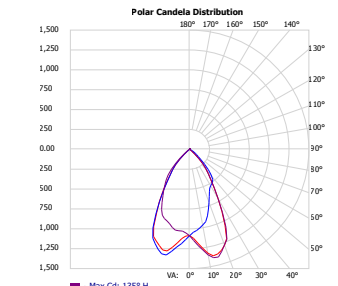


Wallwash Trim

DISTRIBUTIONS



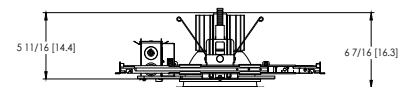
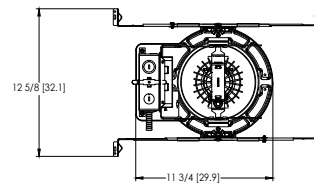
Open



Wallwash

DIMENSIONS


LDN6 500-3000 Lumens



Aperture: \varnothing 6-1/4" [15.9]
Ceiling Cutout: \varnothing 7-1/8" [18.1] Self-flanged
Overlap Trim: \varnothing 7-1/2" [19.1]



LDN6 SWW

 Design Select options indicated by this color background.

ORDERING INFORMATION

Lead times will vary depending on options selected. Consult with your sales representative.

Example: LDN6 ALO2 SWW1 L06AR LSS MVOLT UGZ

LDN6								
Series	Lumens ‡	Color temperature ‡	Trim Style	Trim Color	Flange Color	Trim Finish	Distribution	Voltage
LDN6 6" Round	Adjustable Lumen Output ALO1 500/750/1000lm ALO2 1000/1500/2000lm ALO3 2000/2500/3000lm ALO4 4000/4500/5000lm Fixed Lumen Output 05LM 500lm 07LM 750lm 10LM 1000lm 15LM 1500lm 20LM 2000lm 25LM 2500lm 30LM 3000lm 40LM 4000lm 45LM 4500lm 50LM 5000lm	Switchable CCT SWW1 3000K-3500K-4000K-5000K Fixed CCT 30K 3000K 35K 3500K 40K 4000K 50K 5000K	L06 Downlight LW6 Wallwash	AR Clear WR ‡ White painted BR ‡ Black painted TRALTBD ‡ RAL paint trim TCPC ‡ Custom paint trim	(blank) Self-flange TRW ‡ White TRBL ‡ Black FRALTBD ‡ RAL paint flange only FCPC ‡ Custom paint flange only	LSS Semi-specular LD Matte diffused LS Specular	(blank) Medium Wide (1.0s/mh) WD Wide (1.2s/mh)	MVOLT 120V - 277V 347 347V step-down transformer supplied

Driver	Emergency ‡	Control Input ‡	Options
UGZ Universal dimming to 10% 0-10V; line voltage dimming (120V)	Blank No emergency option	Blank No control option	90CRI High CRI (90+)
UGZ1 Universal dimming to 1% 0-10V; line voltage dimming (120V)	EL ‡ Batterypack (10W constant power) Non-T20 Compliant, integral test switch	NPS80EZ ‡ nLight® network power/relay pack with 0-10V dimming NPS80EZER ‡ nLight® network power/relay pack with 0-10V dimming; ER controls fixtures on emergency circuit.	AT ‡ Airtight (IP55) CP ‡ Chicago Plenum
DALI ‡ DALI dimming to 1%	ELR ‡ Batterypack (10W constant power) Non-T20 Compliant remote test switch	NLTAIR2 ‡ nLight® Air enabled	
D10 Minimum dimming 10% driver for use with JOT D1 Minimum dimming 1% driver for use with JOT	E10WCP ‡ Batterypack (10W constant power) T20 Compliant, integral test switch	NLTAIRER2 ‡ nLight® AIR Dimming Pack Wireless Controls. Controls fixtures on emergency circuit	
D1 Minimum dimming 1% driver for use with JOT	E10WCPR ‡ Batterypack (10W constant power) T20 Compliant, remote test switch E10WRSTAR Emergency battery pack, 10W with remote test switch and Iota STAR technology ETS ‡ Iota Emergency Transfer System	NLTAIREM2 ‡ nLight® AIR Dimming Pack Wireless Controls. UL924 Emergency Operation, via power interrupt detection. JOT ‡ Wireless room control with "Just One Touch" pairing	

‡ Option Restrictions

Options	Restriction
	Lumens and Color Temp restriction note: Fixed Lumens and CCT must be specified together (for example: 10LM 30K).
AT	Standard for CP and IP55, not available with WW
E10WCPR	Not available EC1, EC6, QDS, CP, 347V, NPS80EZ ER, NLTAIRER2, NLTAIREM2, or ALO3 (2000-3000L) DALI.
E10WCP	Not available with EC1, EC6, AT, QDS, CP, 347V, NPS80EZ ER, NLTAIRER2, NLTAIREM2, ALO3 (2000-3000L) DALI, OR WL.
ELR	Not available EC1, EC6, QDS, CP, 347V, NPS80EZ ER, NLTAIRER2, NLTAIREM2, or ALO3 (2000-3000L) DALI.
EC6	Not Available with CP,QDS, ELR, E10WCP, or E10WCPR.
WL	Not available with WW, All CP is wet location, except WW (Damp). IP55 rated.
QDS	Not Available with CP, ELR, E10WCP, or E10WCPR.
EC1	Not Available with CP,QDS, ELR, E10WCP, or E10WCPR.
JOT	Not available with CP, NPS80EZ, NPS80EZ ER, NLTAIR2, NLTAIRER2, NLTAIREM2, UGZ, or DALI drivers. Max 4500 lumens. Fixed lumens and CCT only.
NPS80EZ	Not available with CP, QDS, DALI, D1, OR D10 drivers. 120V OR 277V only. Not available with 347V.
NPS80EZER	Not available with CP, QDS, ELR, E10WCP, E10WCPR, DALI, D1, OR D10 drivers. 120V OR 277V only. Not available with 347V.
NLTAIR2	Not available with CP, QDS, DALI, D1, OR D10 drivers. Non-emergency luminaires with this option can be used as a normal power sensing device for nLight AIR devices and luminaires with EM emergency options.
NLTAIRER2	Not available with CP, QDS, ELR, E10WCP, E10WCPR, DALI, D1, OR D10 drivers. Not available with 347V.
NLTAIREM2	Not available with CP, QDS, ELR, E10WCP, E10WCPR, DALI, D1, OR D10 drivers. See UL 924 Sequence of Operation table.
CP	Not available with, QDS, EC1, EC6, ELR, E10WCP, E10WCPR, 347V, JOT, NPS80EZ, NPS80EZ ER, NLTAIR2, NLTAIRER2, NLTAIREM2, D1, OR D10 drivers. Not available with square trim.
ETS	Not available with, QDS, ELR, E10WCP, E10WCPR, 347V, JOT, NPS80EZ, NPS80EZ ER, NLTAIR2, NLTAIRER2, NLTAIREM2, DALI, D1, OR D10 driver
DALI	Not available with fixed lumens or CCT. Max 4500 lumens.
WW	Not available with WL, EL, E10WCP.
TRW, TRBL	Available with clear (AR) reflector only.
WR, BR	Not available with a reflector finish
347V	Not available with CP, QDS, EL, ELR, E10WCP, E10WCPR, NLTAIRER2, ETS, NPS80EZ, NPS80EZER, ALO1 ROUND TRIM, 05 LUMENS ROUND TRIM, AND 07 ROUND TRIM.
TRALTBD, FRALTBD	RALTBD for pricing only. Replace with applicable RAL number and finish when ready to order. See the RAL BROCHURE for available color options.
TCPC, FCPC	CPC options for pricing only. Custom color chip needs to be sent in to your Customer Resolution specialist before order can be processed. Click HERE for more details

Accessories: Order as a separate catalog number.	
L06AR ** TRIM	6" clear, specular reflector (** specify finish LS, LSS, or LS)
L06WR TRIM	6" white reflector
L06BR TRIM	6" black reflector
LW6AR ** TRIM	6" wallwash clear, specular reflector (** specify finish LS, LSS, or LS)
LW6WR TRIM	6" wallwash white reflector
LW6BR TRIM	6" wallwash black reflector
GRA68 JZ	Oversized trim ring with 8" outside diameter
SCA6	Sloped Ceiling Adapter. Degree of slope must be specified (5D, 10D, 15D, 20D, 25D, 30D). Ex: SCA6 10D.



Items marked by a shaded background qualify for the Design Select program and ship in 15 days or less. To learn more about Design Select, visit www.acuitybrands.com/designselect.
*See ordering tree for details

(Maximum order quantity for design select lead times is 256)

EMERGENCY BATTERY PACK OPTIONS - FIELD INSTALLABLE

Battery Model Number	Wattage	Runtime (Minutes)	Lumen Output* @ 120 Lumens/Watt	Other
ILB CP07 2H A	7W	120	840	Storm Shelter / 2 Hour Runtime
ILB CP10 A	10W	90	1200	
ILBLP CP10 HE SD A ⁺	10W	90	1200	Title 20, Self Diagnostic
ILBLP CP15 HE SD A ⁺	15W	90	1800	Title 20, Self Diagnostic
ILB CP20 HE A	20W	90	2400	Title 20
ILB CP20 HE SD A	20W	90	2400	Title 20, Self Diagnostic
ILBHI CP10 HE SD A ⁺	10W	90	1200	347-480V AC Input, Title 20, Self Diagnostic
ILBHI CP15 HE SD A ⁺	15W	90	1800	347-480V AC Input, Title 20, Self Diagnostic

All the above are UL Listed products that are certified for field install external/remote to the fixture.

* Minimum delivered lumen output to assist in product selection for increased fixture mounting height.

⁺ The CP10 delivered emergency illumination outperforms legacy 1400 lumen fluorescent emergency ballast.

Please contact us at productsupportemergency@acuitybrands.com for any Emergency Battery related questions.

PHOTOMETRY

LDN6 AR LS		90CRI							
Lumen Output	Wattage	30K/90CRI		35K/90CRI		40K/90CRI		50K/90CRI	
		Delivered Lumens	LPW	Delivered Lumens	LPW	Delivered Lumens	LPW	Delivered Lumens	LPW
ALO1 (500LM)	6	525	87	540	89	554	90	568	92
ALO1 (750LM)	9	790	88	811	90	833	92	854	93
ALO1 (1000LM)	13	1102	85	1132	87	1162	89	1191	90
ALO2 (1000LM)	12	1181	97	1213	99	1245	101	1277	103
ALO2 (1500LM)	19	1741	94	1788	96	1835	98	1882	99
ALO2 (2000LM)	25	2212	89	2272	91	2332	93	2392	95
ALO3 (2000LM)	25	2306	92	2369	94	2431	96	2494	97
ALO3 (2500LM)	32	2792	88	2868	89	2944	91	3019	93
ALO3 (3000LM)	38	3188	83	3274	85	3361	87	3447	88
ALO4 (4000LM)	39	3349	87	3417	88	3485	90	3520	91
ALO4 (4500LM)	44	3696	84	3771	86	3847	88	3885	88
ALO4 (5000LM)	49	4436	90	4527	92	4617	94	4662	95

LDN6WW AR LS		80CRI							
Lumen Output	Wattage	30K/80CRI		35K/80CRI		40K/80CRI		50K/80CRI	
		Delivered Lumens	LPW	Delivered Lumens	LPW	Delivered Lumens	LPW	Delivered Lumens	LPW
ALO1 (500LM)	6	602	100	612	101	620	101	628	102
ALO1 (750LM)	9	905	101	921	102	932	103	944	103
ALO1 (1000LM)	13	1263	98	1284	99	1300	99	1316	100
ALO2 (1000LM)	12	1354	111	1377	112	1394	113	1411	113
ALO2 (1500LM)	19	1995	108	2029	109	2054	109	2080	110
ALO2 (2000LM)	25	2536	102	2579	103	2610	104	2643	104
ALO3 (2000LM)	25	2643	105	2688	106	2721	107	2755	108
ALO3 (2500LM)	32	3200	100	3255	101	3294	102	3336	103
ALO3 (3000LM)	38	3654	96	3716	97	3761	97	3808	98
ALO4 (4000LM)	39	4007	104	4089	106	4171	108	4212	109
ALO4 (4500LM)	44	4423	101	4513	103	4603	105	4648	106
ALO4 (5000LM)	49	4810	98	4908	100	5006	102	5055	103

LDN6WW AR LS		90CRI							
Lumen Output	Wattage	30K/90CRI		35K/90CRI		40K/90CRI		50K/90CRI	
		Delivered Lumens	LPW	Delivered Lumens	LPW	Delivered Lumens	LPW	Delivered Lumens	LPW
ALO1 (500LM)	6	523	86	537	88	551	90	566	92
ALO1 (750LM)	9	787	88	808	89	829	91	850	93
ALO1 (1000LM)	13	1097	85	1127	87	1156	88	1186	90
ALO2 (1000LM)	12	1176	96	1208	98	1240	100	1272	102
ALO2 (1500LM)	19	1733	93	1780	95	1827	97	1874	99
ALO2 (2000LM)	25	2203	89	2262	91	2322	92	2382	94
ALO3 (2000LM)	25	2296	91	2358	93	2421	95	2483	97
ALO3 (2500LM)	32	2780	87	2855	89	2931	91	3006	93
ALO3 (3000LM)	38	3174	83	3260	85	3346	86	3432	88
ALO4 (4000LM)	39	3326	86	3394	88	3462	90	3496	90
ALO4 (4500LM)	44	3671	84	3746	85	3821	87	3858	88
ALO4 (5000LM)	49	3992	81	4073	83	4155	84	4196	85

LUMEN OUTPUT MULTIPLIERS - FINISH	
Specular (LS)	1.05
Semi-specular (LSS)	1.00
Matte diffuse (LD)	0.85

LUMEN OUTPUT MULTIPLIERS - CCT			
3000K	3500K	4000K	5000K
0.98	1.0	1.01	1.03

LUMEN OUTPUT MULTIPLIERS - CRI	
80	1.0
90	0.874

HOW TO ESTIMATE DELIVERED LUMENS IN EMERGENCY MODE

Use the formula below to estimate the delivered lumens in emergency mode

$$\text{Delivered Lumens} = 1.25 \times P \times \text{LPW}$$

P = Output power of emergency driver. P = 10W for PS1055CP

LPW = Lumen per watt rating of the luminaire. This information is available on the ABL luminaire spec sheet.

The LPW rating is also available at Designlight Consortium.

Notes

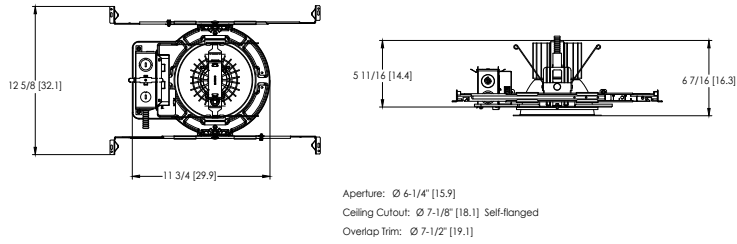
- Tested in accordance with IESNA LM-79-08.
- Tested to current IES and NEMA standards under stabilized laboratory conditions.
- CRI: 80 typical.

LDN6 SWW

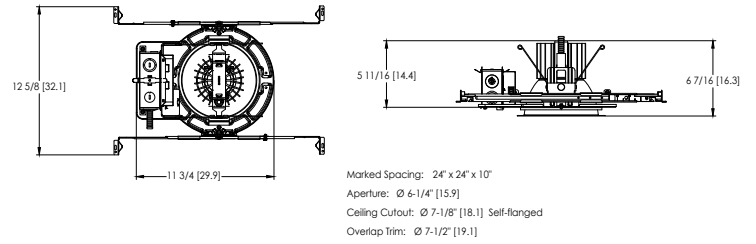
* All dimensions are inches (centimeters) unless otherwise noted.

LDN6 SWW1 IC RATING	
AL01	IC
AL02	NON-IC
AL03	NON-IC

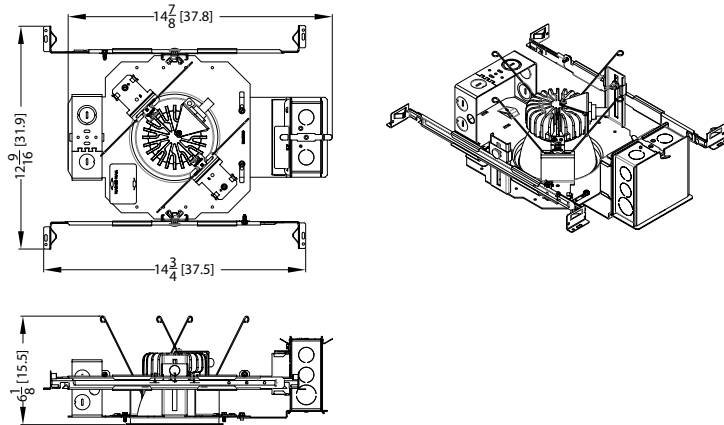
LDN6 SWW1 500-3000 Lumens



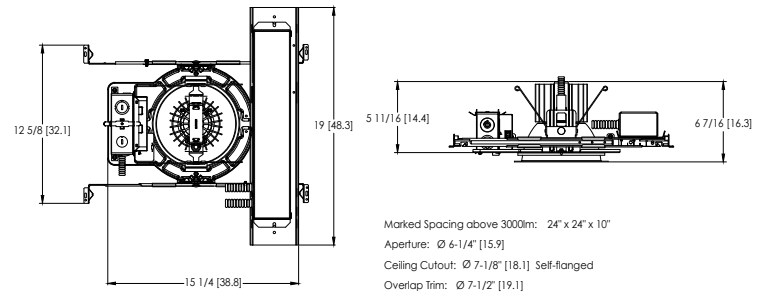
LDN6 SWW1 4000-5000 Lumens



LDN6 SWW1 CP 500-3000 Lumens



LDN6 SWW1 EL



DIMMER COMPATIBILITY

Not compatible with DALI or DMX dimmers. For specific compatible dimmers see below.

COMPATIBLE LINE VOLTAGE DIMMERS:						
Type	Forward Phase	ALO1 (500-1000lm)	ALO2 (1000-2000lm)	ALO3 (2000-3000lm)	ALO4 (3000-5000lm)	Comment
MLV	Sensorswitch WPD	YES	YES	YES	YES	
MLV	Sensorswitch CMR PDT10 ADC VLP	YES	YES	YES	YES	
MLV	Synergy ISD 600LV	YES, 2x *	YES	YES	YES	* min 2 fixtures
INC	Synergy ISD 600 I	YES, 2x *	YES	YES	YES	* min 2 fixtures
MLV	Lutron Glyder GLV-600	YES	YES	YES	YES	
INC	Leviton SureSlide 6633	YES	YES	YES	YES	
MLV	Lutron Diva DVLV-600P	YES	YES	YES	YES	
MLV	Lutron Skylark SLV-600P	YES	YES	YES	YES	
INC	Lutron RadioRA 2 10ND	YES	YES	YES	YES	
MLV	Leviton SureSlide 6613-PLW	YES	YES	YES	YES	
INC	Lutron Diva DVCL-153P	YES	YES	YES	YES	
MLV	Leviton IPM06	YES, 2x *	YES	YES	YES	* min 2 fixtures
Type	Reverse Phase Dimmer Bank	ALO1 (500-1000lm)	ALO2 (1000-2000lm)	ALO3 (2000-3000lm)	ALO4 (3000-5000lm)	
ELV	Lutron Nova T NTELV-600	YES	YES	YES	YES	
ELV	Lutron Diva DVELV 600P	YES	YES	YES	YES	
ELV	Lutron Maestro MAELV 600	YES	YES	YES	YES	
ELV	Leviton Vizia VPE06-1LX	YES	YES	YES	YES	
ELV	Leviton Illumatech IPE04	YES	YES	YES	YES	
ELV	Control4 C4-APD 120 REVERSE PHASE	YES	YES	YES	YES	
Type	Miscellaneous Dimmers	ALO1 (500-1000lm)	ALO2 (1000-2000lm)	ALO3 (2000-3000lm)	ALO4 (3000-5000lm)	
PHA	Lutron RadioRA2 RRD-6NA	YES	YES	YES	YES	
PHA	Lutron Maestro PRO LED+ RRD-PRO	YES	YES	YES	YES	
Type	Control Systems	ALO1 (500-1000lm)	ALO2 (1000-2000lm)	ALO3 (2000-3000lm)	ALO4 (3000-5000lm)	
MLV	Lutron LP-RPM-4U	YES	YES	YES	YES	
PHA	Lutron LP-RPM-4A	YES	YES	YES	YES	
MLV	Lutron GRAPHIC EYE QSGRJ-3P	YES	YES	YES	YES	
PHA	Lutron PA Power Module PHPM-PA-120	YES	YES	YES	YES	
ELV	Lutron nLight nSP5PCD ELV	YES	YES	YES	YES	

COMPATIBLE 0-10V DIMMERS:							
Manufacturer	System Type	Description	P/N	ALO1 (500-1000lm)	ALO2 (1000-2000lm)	ALO3 (2000-3000lm)	ALO4 (3000-5000lm)
ACUITY	Wall Box	sensorswitch, dimming switch with multi-way option	SPODMRA	YES	YES	YES	YES
ACUITY	Wall Box	sensorswitch, wall switch sensor, occupancy controlled dimming	WSX D WH	YES	YES	YES	YES
ACUITY	Control System	nLight	nPP16D	YES	YES	YES	YES
ACUITY	Control System	nLight	nPS 80 EZ	YES	YES	YES	YES
ACUITY	Control System	nLight Air	rPP20 D	YES	YES	YES	YES
Lutron	Other	0-10V (sink or source) PowPak wireless dimming module	RMJ-ST-DV-B	YES	YES	YES	YES
Wattstopper	Control System	Digital single relay room controller (0-10V)	LMRC-211	YES	YES	YES	YES
Crestron	Control System	DIN Rail 0-10V fluorescent dimmer, 4 feeds, 4 channels (Green Light System)	DIN-4DIMFLV4	YES	YES	YES	YES
Lutron	Other	Grafik Eye 0-10V adapter	GRX-TV1	YES	YES	YES	YES
Leviton	Wall Box	Illumatech 0-10V	IP710-DLX	YES	YES	YES	YES
Lutron	Control System	Mounted in the Homeworks QS panel - 0-10V dimmer (sink or source)	GRX-TVM2	YES	YES	YES	YES
Lutron	Wall Box	Nova 0-10V wallbox dimmer (use with PP-120-H line voltage relay)	NTFTV	YES	YES	YES	YES
Lutron	Wall Box	Nova 0-10V wallbox dimmer (use with PP-120-H line voltage relay)	NTSTV-DV	YES	YES	YES	YES
Lutron	Wall Box	Nova T	NFTV	YES	YES	YES	YES
Leviton	Wall Box	Renior II 0-10V	AWSMG-7DW	YES	YES	YES	YES

ADDITIONAL DATA



The Sensor Switch JOT enabled solution offers a wireless, app-free approach to single room lighting control. JOT enabled products use Bluetooth® Low Energy (BLE) technology to enable wireless dimming and switching.

Diagram



LDN4 Series



Sensor Switch
WSXA JOT

- 1. Power:** Install JOT enabled fixtures and controls as instructed.
- 2. Pair:** Insert the pairing tool into the pinhole on the wall switch; press and hold any button for 6 seconds.
- 3. Play:** Once paired, each fixture will individually dim down to 10% brightness. All products will be fully functional.

COMPATIBLE 0-10V WALL-MOUNT DIMMERS

MANUFACTURER	PART NO.	POWER BOOSTER AVAILABLE
Lutron®	Diva® DVTV	
	Diva® DVSCTV	
	Nova T® NTFTV	
	Nova® NFTV	
Leviton®	AWSMT-7DW	CN100
	AWSMG-7DW	PE300
	AMRMG-7DW	
	Leviton Centura Fluorescent Control System	
	IllumaTech® IP7 Series	
Synergy®	ISD BC	RDMFC
	SLD LPCS	
	Digital Equinox (DEQ BC)	
Douglas Lighting Controls	WPC-5721	
Entertainment Technology	Tap Glide TG600FAM120 (120V)	
	Tap Glide Heatsink TGH1500FAM120 (120V)	
	Oasis OA2000FAMU	
Honeywell	EL7315A1019	EL7305A1010 (optional)
	EL7315A1009	
HUNT Dimming	Preset slide: PS-010-IV and PS-010-WH	
	Preset slide: PS-010-3W-IV and PS-010-3W-WH	
	Preset slide, controls FD-010: PS-IFC-010-IV and PS-IFC-010-WH-120/277V	
	Preset slide, controls FD-010: PS-IFC-010-3W-IV and PS-IFC-010-3W-WH-120/277V	
	Remote mounted unit: FD-010	
Lehigh Electronic Products	Solitaire	PBX
PDM Electrical Products	WPC-5721	
Starfield Controls	TR61 with DALI interface port	RT03 DALInet Router
WattStopper®	LS-4 used with LCD-101 and LCD-103	

EXAMPLE

Group Fixture Control*

*Application diagram applies for fixtures with eldoLED drivers only.

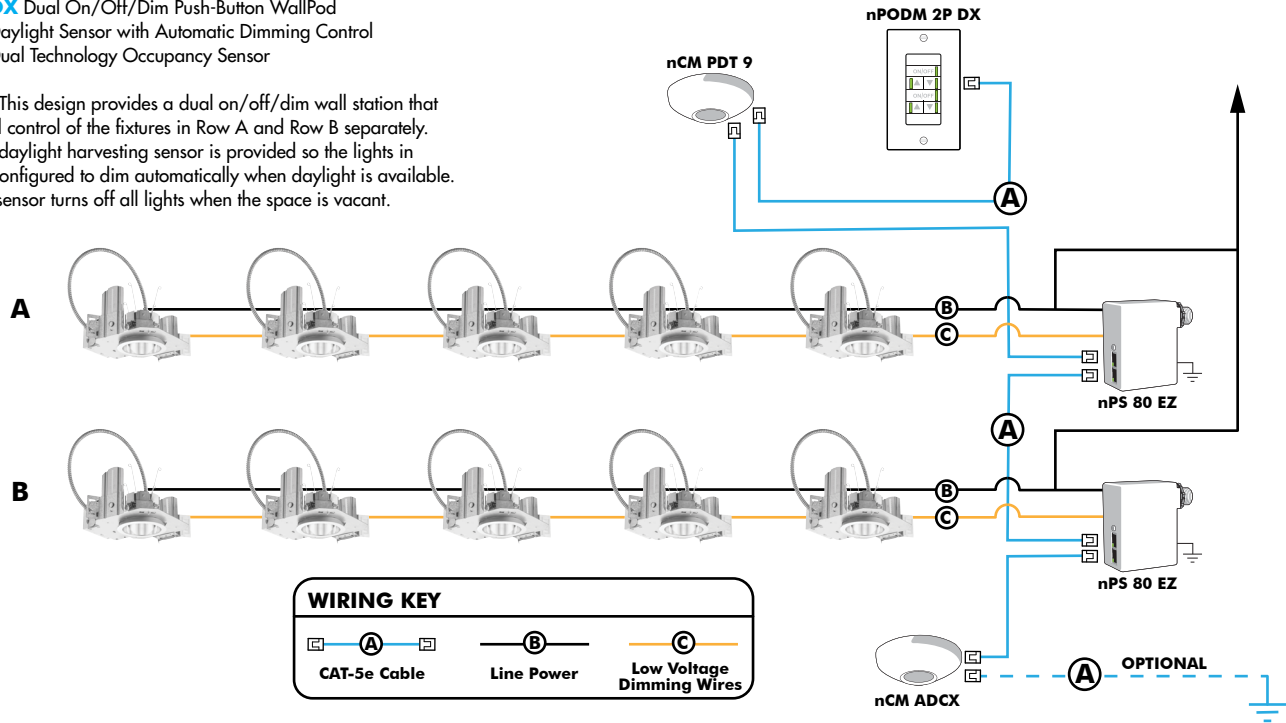
nPS 80 EZ Dimming/Control Pack (qty: 2 required)

nPODM 2P DX Dual On/Off/Dim Push-Button WallPod

nCM ADCX Daylight Sensor with Automatic Dimming Control

nCM PDT 9 Dual Technology Occupancy Sensor

Description: This design provides a dual on/off/dim wall station that enables manual control of the fixtures in Row A and Row B separately. Additionally, a daylight harvesting sensor is provided so the lights in Row B can be configured to dim automatically when daylight is available. An occupancy sensor turns off all lights when the space is vacant.



Choose Wall Controls

nLight offers multiple styles of wall controls - each with varying features and user experience.



Push-Button Wallpod

Traditional tactile buttons and LED user feedback



Graphic Wallpod

Full color touch screen provides a sophisticated look and feel

nLight® Wired Controls Accessories:

Order as separate catalog number. Visit www.acuitybrands.com/products/controls/nlight for complete listing of nLight controls.

WallPod Stations	Model number	Occupancy sensors	Model Number
On/Off	nPODM (Color)	Small motion 360°, ceiling (PIR/dual Tech)	nCM 9 / nCM PDT 9
On/Off & Raise/Lower	nPOD DX (Color)	Large motion 360°, ceiling (PIR/dual tech)	nCM 10 / nCM PDT 10
Graphic Touchscreen	nPOD GFX (Color)	Wide View (PIR/dual tech)	nWV 16 / nWV PDT 16
Photocell controls	Model Number	Wall Switch w/ Raise/Lower (PIR/dual tech)	nWSX LV DX / nWSX PDT LV DX
Dimming	nCM ADCX	Cat-5 cables (plenum rated)	Model Number
		10', CAT5 10FT	CAT5 10FT J1
		15, CAT5 15FT	CAT5 15FT J1

nLight® AIR Control Accessories:

Order as separate catalog number. Visit www.acuitybrands.com/products/controls/nlightair.

Wall switches	Model number
On/Off single pole	rPODB [color]
On/Off two pole	rPODB 2P [color]
On/Off & raise/lower single pole	rPODB DX [color]
On/Off & raise/lower two pole	rPODB 2P DX [color]
On/Off & raise/lower single pole	rPODBZ DX WH ¹

Notes

1 Can only be ordered with the RES7Z zone control sensor version.

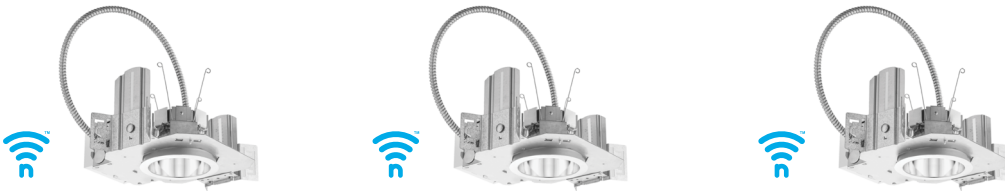
UL924 Sequence of Operation

The below information applies to all nLight AIR devices with an EM option.

- EM devices will remain at their high-end trim and ignore wireless lighting control commands, unless a normal-power-sensed (NPS) broadcast is received at least every 8 seconds.
- Using the CLAIRITY+ mobile app, EM devices must be associated with a group that includes a normal power sensing device to receive NPS broadcasts.
- Only non-emergency rPP20, rLSXR, rSBOR, rSDGR, and nLight AIR luminaires with version 3.4 or later firmware can provide normal power sensing for EM devices. See specification sheets for control devices and luminaires for more information on options that support normal power sensing.

nLight AIR

nLight AIR is the ideal solution for retrofit or new construction spaces where adding communication is cost prohibitive. The integrated nLight AIR rPP20 Power Pack is part of each Lithonia LDN Luminaire. These individually addressable controls offer the ultimate in flexibility during initial setup and for space repurposing.



Simple as 1,2,3

1. Install the nLight® AIR fixtures with embedded smart sensor
2. Install the wireless battery-powered wall switch
3. With CLAIRITY app, pair the fixtures with the wall switch and if desired, customize the sensor settings for the desired outcome



OCULARC – model: 7011

H/L/J Track Luminaire

WAC LIGHTING

Responsible Lighting®

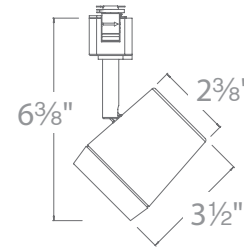


Fixture Type:

Catalog Number:

Project: _____

Location: _____



PRODUCT DESCRIPTION

Ideal for residential spaces and lower-mounted commercial applications, the OCULARC 7011 combines high-output COB LED with easy-to-use films for three separate beam-spreads, along with an adjustable base to accommodate a variety of user preferences. With the driver and thermal/optical management encased in the die-casting housing, this compact unit offers a clean, efficient, versatile design that works with almost any décor.

FEATURES

• **3 beam angle options included:**

- 50° beam film pre-installed, interchangeable 30° film supplied, remove film for 17° spot beam
- Integral driver and high output COB LED
- Outperforms halogen 65W MR16
- 350° horizontal and 90° vertical aiming
- 50,000 rated life
- 5 year warranty

REPLACEMENT OPTICS

17° Spot TIR Lens	TIR-CLM9-OD50-S
30° Narrow Flood Film	FILM-16-N
50° Flood Film	FILM-16-F

SPECIFICATIONS

Construction: Die-cast aluminum with baffled front cover for glare control

Input Power: 11W at 120VAC, 50/60Hz

Power Factor: 0.98

THD(A): < 20% Total Harmonic Distortion (Current)

Light Source: High output 3 Step Mac Adam, Ellipse COB, 90+ CRI
Rated Life of 50,000 hours at L70

Dimming: ELV or Forward Phase: 100 - 10%
Reference dimming report for compatibility.

Standards: ETL & cETL Dry Location Listed, Energy Star® 2.0,
Title 24 JA8-2016 Compliant

Finish: Electrostatically powder coated Black, Dark Bronze, and White

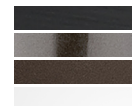
Operating Temperature: -4°F to 104°F (-20°C to 40°C)

EXTENSION OPTIONS

Sold Separately. Ceiling Mount and H-Track compatible only

H H Track	18 18"	BK Black
	24 24"	BN Brushed Nickel
	36 36"	DB Dark Bronze
	48 48"	WT White

System	Model	Beam	Max Lumens	Max CBCP	Color Temp	CRI	T24	Energy Star	Finish
H H Track	7011	17°	890	4972	930 3000K	90	Yes	Yes	BK Black
L L Track		30°	855	1961					BN Brushed Nickel
J J/J2 Track		50°	830	789					DB Dark Bronze
									WT White



-7011-930-

Example: **H-7011-930-BN**

wacighting.com

Phone (800) 526.2588
Fax (800) 526.2585

Headquarters/Eastern Distribution Center

44 Harbor Park Drive
Port Washington, NY 11050

Central Distribution Center

1600 Distribution Ct
Lithia Springs, GA 30122

Western Distribution Center

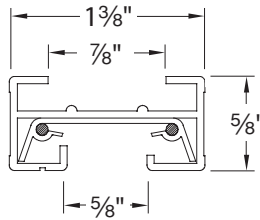
1750 Archibald Avenue
Ontario, CA 91760

J TRACK

120V Single Circuit Track System

WAC LIGHTING

Responsible Lighting®



Fixture Type:

Catalog Number:

Project:

Location:

PRODUCT DESCRIPTION

Designed for nearly every application and interior environment, our extensive 120V Track collection offers hundreds of luminaires that integrate cutting edge design and aerospace detailing with designer glass and metal finishes. Versatile yet sturdy, the track systems can be surface mounted or suspended from the ceiling, liberating luminaires from the constraints of rigid mountings and enabling the lighting design to adapt to changing styles and spaces.

FEATURES

- May be field cut and easily installed on a variety of surfaces
- Available extension accessories
- Use compatible Quick Connect™ pendants and fixtures with each system
- End caps and mounting hardware included
- Retrofits into many popular track systems on the market today.

SPECIFICATIONS

Materials: Aluminum extrusion with copper bus wire.

Electrical: 20 Amps rated, 120V. It is common practice to use tracks at 80% capacity to insure compatibility with dimmers and connectors (1920W maximum).

Mounting: Can be installed on drywall, or suspended ceilings.

Standards: UL & CUL listed

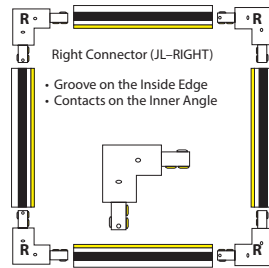
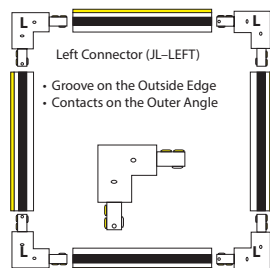
Selecting Connectors (example using J Track)

In order to select the appropriate connectors to maintain electrical continuity, start at your power source and walk the length of the track. If you turn left, use a left connector. If you turn right, use a right connector.

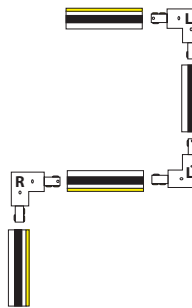
Polarity is just a matter of matching ends
One side of an "J" Track has an indicator groove running its length

• Using a left connector, the track would run with the groove along the outside

• Using a right connector, the track would run with the groove along the inside



■ = Electrical Continuity



ORDER NUMBER

Model	Length	Finish
JT J Track	2 2'	BK Black BN Brushed Nickel WT White
	4 4'	
	6 6'	
	8 8'	

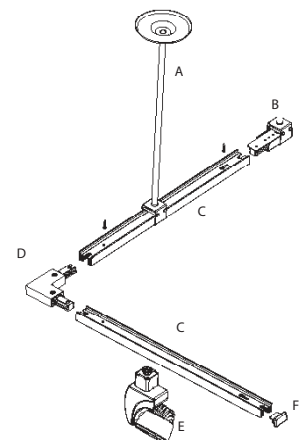
Each section includes two matching end caps.



Example: **JT6-BN**

Sample Layout

A	SK18	18" Track suspension rod
B	JLE	Live end connector
C	JT2	2 foot Section of J Track
D	JL-LEFT	"J" Connector (Left)
E	J-LED17S-27	LEDme™ LED track head
F	J-ENDCAP	End Cap (included with track section)



WAC Lighting

www.waclighting.com
Phone (800) 526.2588 • Fax (800) 526.2585

Headquarters/Eastern Distribution Center

44 Harbor Park Drive • Port Washington, NY 11050
Phone (516) 515.5000 • Fax (516) 515.5050

Western Distribution Center

























1750 Archibald Avenue • Ontario, CA 91760
Phone (800) 526.2588 • Fax (800) 526.2585

JTRACK

120V Single Circuit Track System

WAC LIGHTING

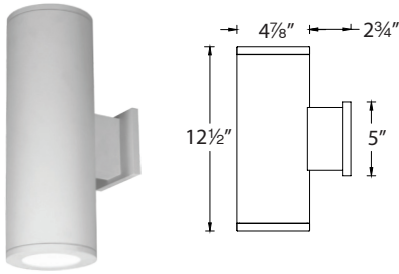
Responsible Lighting®

Accessories		Model	Finish	Description	Adapters		Model	Finish	Description	
Live End Connector		JLE	BK BN WT	4¾" × 1¼" × ¾" <i>Use for direct wiring through ceiling. Canopy plate required when using with a junction box.</i>	Quick Connect™ Adapter		EN-JQ50AR	BK BN WT	Connects pendant or fixture to track.	
Live End BX Connector		JBXLE	BK BN WT	6¼" × 1⅜" × 1¼" <i>Use with surface mounted BX or non-metallic sheathed cable. Also provides through the ceiling connection.</i>	Monopoint Canopy Adapter		JMP	BK BN WT	Mount a single system track fixture to a junction box.	
"I" Power Connector		JI-PWR	BK BN WT	7⅞" × 1⅜" × ¾" <i>Power entry point at the connection of 2 tracks.</i>	Track Suspension					
"L" Connector Left		JL-LEFT	BK BN WT	4¼" × 4¼" × ¾" <i>Use to join 2 track sections to make power feedable 90° left polarity turns.</i>						
"L" Connector Right		JL-RIGHT	BK BN WT		All Track Suspension Kit		SK	18 18" 24 24" 36 36" 48 48"	BK BN WT	Extends track from ceiling. Includes track bracket, rod and ceiling canopy.
"T" Connector		JT	BK BN WT	7⅞" × 4¼" × ¾" <i>Use to join 3 track sections. Power feedable on H and J only. "T" Connector with opposite polarity can be custom ordered.</i>	Suspension Kit Extender		R	18 18" 24 24" 36 36" 48 48" 72 72"	BK BN WT	Use with Rod Coupler (RI) to further extend track from ceiling.
"X" Connector		JX	BK BN WT	7⅞" × 7⅞" × ¾" <i>Use to join 4 track sections. Power feedable on H and J only.</i>	Sloped Ceiling Adapter		SK14		BK BN WT	Use with suspension kits for sloped ceilings
"I" Connector		JI	BK BN WT	3" × 1⅜" × ¾" <i>Use to join two sections of track with electrical continuity.</i>	Rod Coupler		RI		BK BN WT	Join two rods for suspensions longer than 48".
"I" Dead End Connector		JI-DEC	BK BN WT	3" × 1⅜" × ¾" <i>Joins two sections of track without electrical continuity.</i>	Suspension Adjustment Collar kit					
Flexible Track Connector		JFLX	BK BN WT	8½" × 1⅜" × ¾" <i>Connects two track sections at variable angles. Use as a transition from wall-to-wall, wall-to-ceiling, or ceiling-to-ceiling. Power feedable.</i>						
Suspension Loop		J-LOOP	BK BN WT	1⅜" × 1⅜" × 3" <i>3" electrical loop accepts chain hung fixtures up to 35lbs. Contains compartment for electrical connections.</i>	Suspension		SK05		BK BN WT	Used when suspension rod is field cut to custom lengths. One kit of two required for each rod. Includes two collars
15' Cord, Male Plug		HCORD	BK WT	15' <i>Maximum capacity: 7A, 800W, 120V.</i>	Low Voltage Track Head Extension					
T-Bar Drop Ceiling Attach		T-BARCLIP		1½" × 1¼" <i>Attaches track to T-bar drop ceilings. Use two for 2 foot or 4 foot tracks, three for 6 foot or 8 foot tracks.</i>						
Canopy Plate		CP	BK BN WT	4½" × 4½" <i>Covers a standard 4" junction box. Use with any powerable connectors.</i>	Low Voltage Track Head Extension		X	6 6" 12 12" 18 18" 24 24" 36 36" 48 48"	BK BN WT	Extends low voltage track heads from track. Specify extension, fixture and finish. Only available as complete unit.
Floating Canopy Connector		JFC	BK BN WT	4⅝" × 4⅝" × 1⅜" <i>Connects to octagon box. Allows track to be powered anywhere along the length of the track.</i>	Wall Mount Suspension Bracket		TBKT	18"	BK BN WT	Extends track 24" from wall. Use two per 4' length, three per 8' length.

TUBE ARCHITECTURAL DS-WD05

WAC LIGHTING

LED Wall Mounts



Fixture Type:

Catalog Number:

Project:

Location:

PRODUCT DESCRIPTION

The latest energy efficient LED technology in an appealing cylindrical profile delivers accent and wall wash lighting. Comes in various light distribution and beam angle options.

FEATURES

- High performance exterior rated LED wall mount light
- Fixture can install upside down to alter light distribution
- Solid aluminum construction
- 5 year warranty

SPECIFICATIONS

Input: Universal voltage 120V - 277VAC, 50/60Hz
Dimming: Electronic low voltage (ELV) : 100% - 5%
 0-10V: 100% - 1%
Light Source: High output 3 Step Mac Adam Ellipse COB
 Rated life of 60,000 hours at L70
Finish: Electrostatically powder coated, white, black, bronze and graphite IP65 rated, ETL & cETL wet location listed
Standards: Title 24 JA8-2016 Compliant
Operating Temp: -13°F to 122°F (-25°C to 50°C)

ORDERING NUMBER

Diameter	Watt	Beam	Beam Angle	Color	Temp	CRI	Reference Output ¹		Efficacy (lm/w)	Light Distribution	Finish
							Lumen	CBCP			
DS-WD05	5" 25W x2	S Straight up and down	16°	927S	2700K	90	1825 x 2	10050 x 2	73 x 2		
				27S	2700K	85	2190 x 2	12057 x 2	88 x 2		
				930S	3000K	90	1895 x 2	10427 x 2	76 x 2		
				30S	3000K	85	2300 x 2	12644 x 2	92 x 2		
				35S	3500K	85	2350 x 2	12937 x 2	94 x 2		
	40S	4000K	85	2375 x 2	13062 x 2	95 x 2					
	5" 17W x2	N Straight up and down	25°	927S	2700K	90	1810 x 2	5280 x 2	72 x 2		
				27S	2700K	85	2170 x 2	6335 x 2	87 x 2		
				930S	3000K	90	1880 x 2	5478 x 2	75 x 2		
				30S	3000K	85	2275 x 2	6643 x 2	91 x 2		
				35S	3500K	85	2330 x 2	6797 x 2	93 x 2		
	40S	4000K	85	2350 x 2	6863 x 2	94 x 2					
	5" 17W x2	F Straight up and down	33°	927S	2700K	90	1900 x 2	4515 x 2	76 x 2		
				27S	2700K	85	2280 x 2	5417 x 2	91 x 2		
				930S	3000K	90	1970 x 2	4685 x 2	79 x 2		
30S				3000K	85	2390 x 2	5681 x 2	96 x 2			
35S				3500K	85	2445 x 2	5812 x 2	98 x 2			
40S				4000K	85	2470 x 2	5870 x 2	99 x 2			
5" 17W x2	F Away from the wall	N/A	927A	2700K	90	2000 x 2		80 x 2			
			27A	2700K	85	2400 x 2		96 x 2			
			930A	3000K	90	2075 x 2	N/A	83 x 2			
			30A	3000K	85	2520 x 2		101 x 2			
			35A	3500K	85	2575 x 2		103 x 2			
			40A	4000K	85	2600 x 2		104 x 2			
5" 17W x2	F Towards the wall	N/A	927B	2700K	90	2000 x 2		80 x 2			
			27B	2700K	85	2400 x 2		96 x 2			
			930B	3000K	90	2075 x 2	N/A	83 x 2			
			30B	3000K	85	2520 x 2		101 x 2			
			35B	3500K	85	2575 x 2		103 x 2			
			40B	4000K	85	2600 x 2		104 x 2			
5" 17W x2	F One side each	N/A	927C	2700K	90	2000 x 2		80 x 2		One side away from wall, one side towards the wall	
			27C	2700K	85	2400 x 2		96 x 2			
			930C	3000K	90	2075 x 2	N/A	83 x 2			
			30C	3000K	85	2520 x 2		101 x 2			
			35C	3500K	85	2575 x 2		103 x 2			
			40C	4000K	85	2600 x 2		104 x 2			

BK	Black	
WT	White	
BZ	Bronze	
GH	Graphite	

DS-WD05-_____ - _____ Example: DS-WD05-F930A-WT ¹Reference output shows 25W output. Multiply by 0.7 to determine output for 17W combinations.

wacighting.com
 Phone (800) 526.2588
 Fax (800) 526.2585

Headquarters/Eastern Distribution Center
 44 Harbor Park Drive
 Port Washington, NY 11050

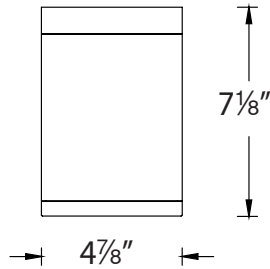
Central Distribution Center
 1600 Distribution Ct
 Lithia Springs, GA 30122

Western Distribution Center
 1750 Archibald Avenue
 Ontario, CA 91760

TUBE ARCHITECTURAL DS-CD05

LED Ceiling Mounts

WAC LIGHTING



Fixture Type:

Catalog Number:

Project:

Location:

PRODUCT DESCRIPTION

The latest energy efficient LED technology in an appealing cylindrical profile delivers accent lighting. Comes in various light beam angle options.

FEATURES

- High performance exterior rated LED ceiling light
- Solid aluminum construction
- 39° visual cutoff angle or glare control
- 5 year warranty

SPECIFICATIONS

- Input:** Universal voltage 120V - 277VAC, 50/60Hz
- Dimming:** Electronic low voltage (ELV) : 100% - 5%
0-10V: 100% - 1%
- Light Source:** High output 3 Step Mac Adam Ellipse COB
Rated life of 60,000 hours at L70
- Finish:** Electrostatically powder coated, white, black, bronze and graphite
- Standards:** IP65 rated, ETL & cETL wet location listed, Energy Star® 2.2 rated Title 24 JA8-2016 Compliant
- Operating Temp:** -13°F to 122°F (-25°C to 50°C)

ORDERING NUMBER

Diameter	Watt	Beam	Angle	Color	Temp	CRI	Reference Output ¹	Efficacy	Light Distribution	Finish			
							Lumens	CBCP	(Lm/W)				
DS-CD05	25W	S Spot	16°	927	2700K	90	1825	10050	73		BK Black WT White BZ Bronze GH Graphite		
				27	2700K	85	2190	12057	88				
				930	3000K	90	1895	10427	76				
				30	3000K	85	2300	12644	92				
				35	3500K	85	2350	12937	94				
				40	4000K	85	2375	13062	95				
		DS-CD0517	17W	N Narrow	25°	927	2700K	90	1810	5280		72	
						27	2700K	85	2170	6335		87	
						930	3000K	90	1880	5478		75	
						30	3000K	85	2275	6643		91	
						35	3500K	85	2330	6797		93	
						40	4000K	85	2350	6863		94	
		DS-CD0517	17W	F Flood	33°	927	2700K	90	1900	4515		76	
						27	2700K	85	2280	5417		91	
						930	3000K	90	1970	4685		79	
30	3000K					85	2390	5681	96				
35	3500K					85	2445	5812	98				
40	4000K					85	2470	5870	99				

DS-CD05- _____ - _____

¹Reference output shows 25W output. Multiply by 0.7 to determine output for 17W combinations.

Example: DS-CD05-N927-BK

wacighting.com
Phone (800) 526.2588
Fax (800) 526.2585

Headquarters/Eastern Distribution Center
44 Harbor Park Drive
Port Washington, NY 11050

Central Distribution Center
1600 Distribution Ct
Lithia Springs, GA 30122

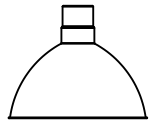
Western Distribution Center
1750 Archibald Avenue
Ontario, CA 91760



SPS-0158 REV G

WILCOX SERIES

JOB NAME: _____ FIXTURE TYPE: _____



BLE - _____ - _____ - _____ - _____ - _____ - _____ - _____ - _____

A B C D E F G

H I J K L

Order Example: BLE - C - DBW16 - 995 - CSBG - NA - 995 - NA - WC - 100 - NA - NA - E26

A - MOUNTING STYLE

C	Cord Hung
CN	Chain Hung
F	Flush Mount ¹
G	Gooseneck
S	Stem Mount

B - SHADE SIZE**WILCOX:**

DBW8	8" Shade ^{1,2}
DBW10	10" Shade ²
DBW12	12" Shade
DBW14	14" Shade
DBW16	16" Shade ³
DBW20	20" Shade ⁴

C - SHADE FINISH**PORCELAIN FINISHES⁵:**

150	Black
250	White
350	Vintage Green
355	Jadite
455	Cherry Red
550	Yellow
650	Bronze
750	Cobalt Blue
765	Delphite Blue
850	Graphite
950	Metallic Chrome

POWDER COAT FINISHES⁶:

100	Black
105	Textured Black
106	Matte Black
200	White
206	Matt White
300	Dark Green
307	Emerald Green
370	Mint
380	Chartreuse
390	Teal
400	Barn Red
420	Orange
470	Watermelon
480	Blush Pink
490	Magenta
495	Sherbet Orange
500	Buttery Yellow
570	Sunflower
600	Bronze
601	Chocolate
605	Rust

C - SHADE FINISH (CONTINUED)**POWDER COAT FINISHES⁶:**

615	Oil-Rubbed Bronze
700	Royal Blue
705	Navy
790	Lavender
800	Industrial Grey
805	Charcoal Granite
975	Galvanized

NATURAL METALS⁷:

995	Raw Copper
996	Weathered Copper
997	Raw Brass
998	Weathered Brass
999	Oil-Rubbed Copper

D - MOUNTINGPlease Note: If Flush Mount [F] is selected in **Section A**, please select **NA****NA** Not Applicable**CSA LISTED CORD OPTIONS:**

SBK	Standard Black
SWH	Standard White
CMG	Grey Cotton
CRZ	Red Chevron
CSB	Black Cloth
CSW	White Cloth
CSR	Red Cloth
CSBB	Black & Brown Cloth
CSRW	Red & White Cloth
CSGW	Gold & White Cloth
CSBG	Black & Gold Cloth
CSBW	Black & White Cloth
CSBP	Black & Pink Cloth
CSUW	Blue & White Cloth

NON-CSA LISTED CORD OPTIONS⁸:

TBK	Black Cotton Twist
TWH	White Cotton Twist
TBR	Brown Cotton Twist
TRD	Red Cotton Twist
TPT	Putty Cotton Twist
TBW	Black & White Twist
TRW	Red & White Twist
TBB	Brown & Beige Twist

D - MOUNTING (CONTINUED)**CHAIN MOUNT OPTIONS⁴:**

CN36	3' of Chain
CN48	4' of Chain
CN60	5' of Chain
CN72	6' of Chain

GOOSENECK OPTIONS:

G1⁴	G9	G17	G35⁴
G2⁴	G10	G19⁴	G36⁴
G3^{4,9}	G11⁴	G22	G40⁴
G4⁹	G12⁴	G24	G64⁴
G5⁴	G13	G25	G65⁴
G6	G14	G26⁴	
G7	G15	G32	
G8	G16⁴	G34⁴	

STEM MOUNT OPTIONS:

ST506	.5" Stem Mount, 6" ⁴
ST512	.5" Stem Mount, 12" ⁴
ST518	.5" Stem Mount, 18" ⁴
ST524	.5" Stem Mount, 24" ⁴
ST536	.5" Stem Mount, 36" ⁴
ST548	.5" Stem Mount, 48" ⁴
ST706	.75" Stem Mount, 6"
ST712	.75" Stem Mount, 12"
ST718	.75" Stem Mount, 18"
ST724	.75" Stem Mount, 24"
ST736	.75" Stem Mount, 36"
ST748	.75" Stem Mount, 48"

E - CORD LENGTH¹⁰Please Note: If GU24 is selected in **Section L**, max Cord Length is 12FT

NA	Not Applicable
7FT	7' of Cord
12FT	12' of Cord
20FT	20' of Cord

F - MOUNTING FINISHPlease Note: See **Section C** for Finish Options. 980-Brushed Aluminum is also available for Gooseneck (except G36, G40, G64 & G65) and Stem mounting styles. If Porcelain Finish is selected, mounting will be powder coat painted-to-match.(I) If Cord Hung [C] or Flush Mount [F]¹ Mounting Style, selection identifies canopy finish(II) If Chain Hung [CN]⁴ Mounting Style, selection identifies chain and canopy finish**F - MOUNTING FINISH (CONT'D.)**

(III) If Stem Mount [S] Mounting Style, selection identifies stem and canopy finish

980 Brushed Aluminum**G - CORDS¹¹**Please Note: See **Section D** for all applicable CSA Listed Cord Options for Chain Hung Mounting Style**NA** Not Applicable**H - SHADE ACCESSORIES⁴**

NA	None
WC	Wire Cage ²
ACR	Acrylic Diffuser ^{2,12,13}
TGG	Heavy Duty Guard
CGG	Cast Guard
WGG	Wire Guard

I - SHADE ACCESSORY FINISHPlease Note: See **Section C** for Finish Options. Natural Metals not applicable. If Porcelain Finish is selected, accessory will be powder coat painted-to-match**NA** Not Applicable**J - GLASS OPTION¹⁴**

NA	Not Applicable
CLR	Clear Glass
FST	Frosted Glass
RIB	Ribbed Glass

K - MOUNTING ACCESSORY

NA	None/Not Applicable
HSC	Hang Straight Canopy ^{4,15}
HDSMC	Heavy Duty Stem Mount Canopy ^{4,15}
HDBP	Heavy Duty Backing Plate ^{4,16,17}
DD	Dusk-to-Dawn Photocell ^{16,17}
DBPC	Decorative Backing Plate Cover ^{16,17}
DCHX	Decorative Backing Plate Cover & Hex Cover ^{16,17}

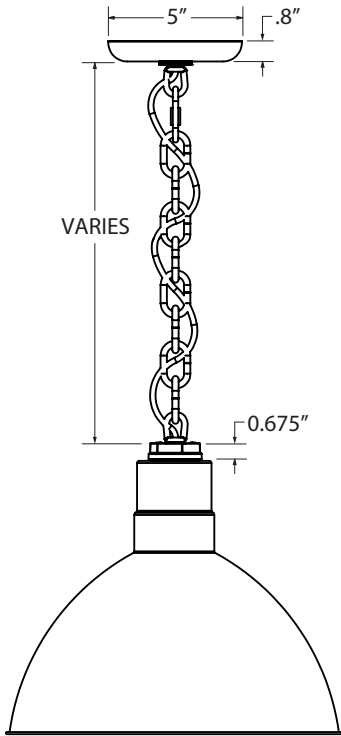
L - LIGHT SOURCE

E26	200 Watt Max
GU24	23 Watt Max ^{1,18}

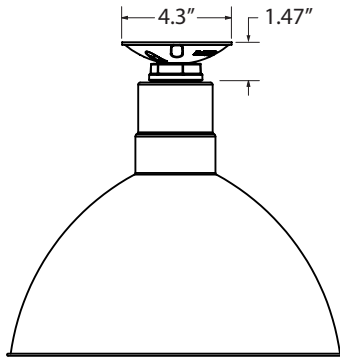
IMPORTANT: (1) Not available with Acrylic Diffuser accessory (2) Not available with the Guard & Glass accessory (3) Not available in Brass (4) Not available in Natural Metals (5) All Porcelain Enamel finished shades feature a white interior and a black outer rim (6) All Powder Coat finished shades, Galvanized excluded, feature a white interior (7) Natural Metals have a longer estimated manufacturing time, please check the website for exact lead time. There are no returns accepted on Natural Metals (8) Not available with Chain Hung [CN] option (9) Not compatible with 16" shade size or larger (10) Only applicable if Cord Hung Mounting Style is selected in Section A, select NA if another Mounting Style is selected in Section A (11) Only applicable if Chain Hung Mounting Style selected in Section A, select NA if another Mounting Style is selected (12) Acrylic Diffuser accessory reduces incandescent wattage to 60W (13) Fixture is UL Listed for Damp Locations with Acrylic Diffuser (14) Guard and Glass accessory reduces incandescent wattage to 100W Max and GU24 Bi-Pin to 18W Max (15) Only applicable if Stem Mounting Style is selected in Section A (16) Only available if Gooseneck Mounting Style is selected in Section A (17) Not available with G19 and G40 Gooseneck (18) Fixtures configured with GU24 socket are non-returnable

MOUNTING STYLES

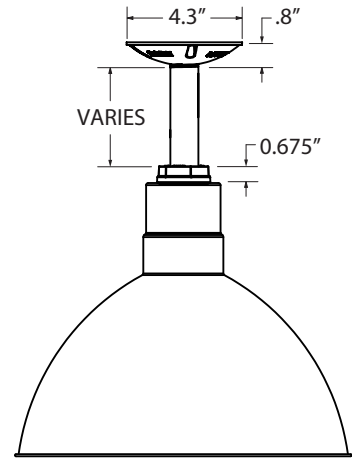
CHAIN HUNG PENDANT (CN)



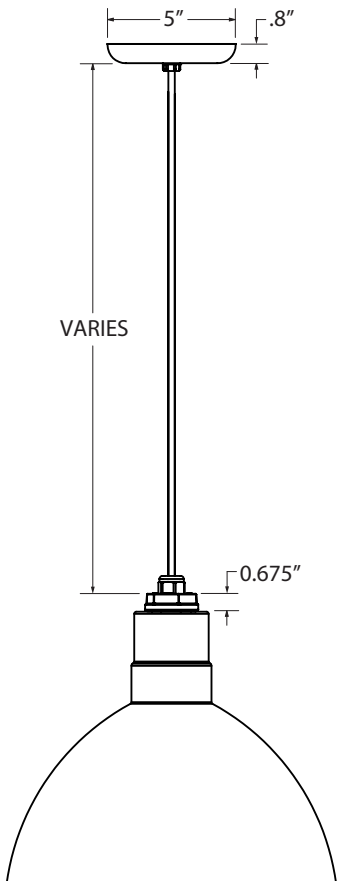
FLUSH MOUNT (F)



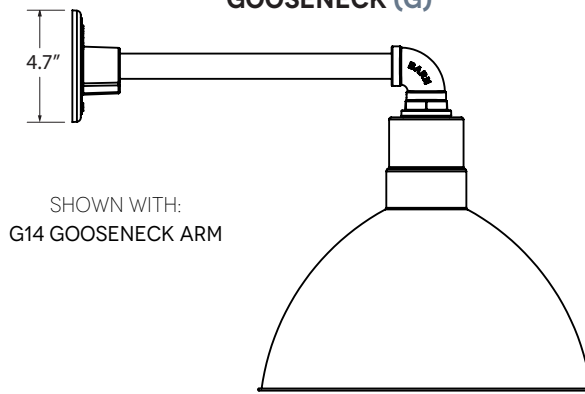
STEM MOUNT PENDANT (S)



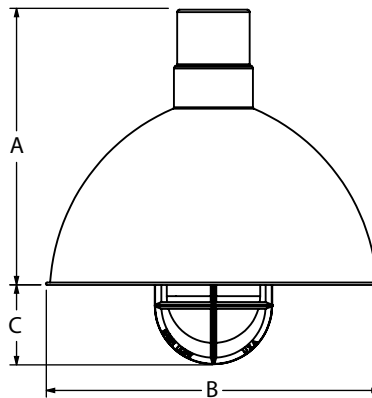
CORD HUNG PENDANT (C)



GOOSENECK (G)



LUMINAIRE DIMENSIONS



SHOWN WITH: OPTIONAL GUARD & GLASS ACCESSORY

SHADE CODE	HEIGHT (A)	DIAMETER (B)	EXTENSION (C)
DBW8	8.25"	8"	4.3"
DBW10	9"	10"	3.6"
DBW12	9.75"	12"	2.8"
DBW14	11.25"	14"	1.3"
DBW16	12.75"	16"	N/A
DBW20	16.25"	20"	N/A

SPECIFICATIONS

CERTIFICATIONS, LISTINGS & WARRANTY

MADE IN THE USA
 Manufactured and Hand-Crafted in Our 60,000 Square Foot Facility
 Located in Titusville, FL

CSA LISTED FOR WET LOCATIONS
 Includes All Gooseneck, Stem and Flush Mounting Styles
 ACR is UL Listed for Damp Locations for Gooseneck and Stem
 Mounting Styles

CSA LISTED FOR DAMP LOCATIONS
 Includes All Chain and Select Cord Hung Mounting Styles
 ACR is UL Listed for Damp Locations

LIMITED WARRANTY
 For Additional Information on Our Limited Warranty, Please See
 Our Terms & Conditions

UL CERTIFICATION
 UL Listed Fixtures Available upon Request. Please Consult Factory
 for Additional Information.

CONSTRUCTION & FINISH (CONT'D.)

CHAIN
 4-Gauge Chain Complete with Quick Link for On-Site Adjustments
 to Chain's Length

LIGHT SOURCE

INCANDESCENT
 Medium Base E26 Socket, 120 VAC, 200W Max

COMPACT FLUORESCENT
 Bi-Pin Base GU24 Socket, 120 VAC, 23W Max

CONSTRUCTION & FINISH

POWDER COAT SHADE
 Hand-Spun from High Purity 3003-O Temper Aluminum

PORCELAIN SHADE
 Hand-Spun from 20 Gauge Porcelain Steel

GALVANIZED SHADE
 Hand Spun from High Quality Galvanized Steel or from High Purity
 3003-O Temper Aluminum for 20" Size Shades

COPPER
 Hand-Spun from High Purity C11000-O60 ETP Copper

BRASS
 Hand-Spun from High Purity C2600-O60 Brass

POWDER COAT FINISHES
 Polyester Powder Coat Finishes Are Electro-Staticly Applied and
 Thermocured

PORCELAIN FINISHES
 Applied by Hand and Fired in a High Temperature Oven

STEM
 1/2" Nominal (0.84" Actual) or 3/4" Nominal (1.05" Actual) Sch 40,
 6063 Aluminum Mounting Stem. Custom Lengths Available upon
 Request.

GOOSENECK
 1/2" Nominal (0.84" Actual) or 3/4" Nominal (1.05" Actual) Sch 40,
 6063 Aluminum Gooseneck

CORD
 Cord Hung Pendants Include 7', 12' or 20' of Cord, Max Cord Length
 for GU24 is 12FT (Overall Cord Length is Measured from Base of
 Socket and Varies Based on Fixture)

WAC LIGHTING

Tube Pendant Downlight

Ceiling Mount 3000K

Fixture Type: _____

Catalog Number: _____

Project: _____

Location: _____

Model & Size	Color Temp & CRI	Watt	Lumens	Finish
PD-W2605 5"	3000K 90	16W	1188 800	AL Brushed Aluminum BK Black BZ Bronze GH Graphite WT White

Example: **PD-W2605-AL**

DESCRIPTION

Precision engineered using advanced proprietary LED technology with a built-in reflector. An appealing cylindrical profile with powerful LED lighting is perfect for accent downlighting applications. Five architectural metallic finishes offered.

FEATURES

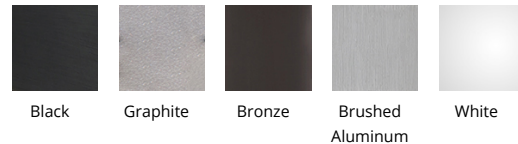
- Hang-straight swivel
- Three 12" and one 6" down rods included
- Title 24 may not be available for all finishes, check for availability
- Driver concealed within the canopy
- 5 year warranty

SPECIFICATIONS

Construction:	Die-cast Aluminum
Power:	16W
Input:	120-277V, 50/60Hz
Dimming:	ELV: 100-10% , 0-10V: 100-5%
Light Source:	Integrated LED
Rated Life:	70000 Hours
Mounting:	Mounts directly to junction box
Finish:	Powder Coat White:White, Powder Coat White::Brushed Aluminum, Powder Coat White::Bronze, Powder Coat White:::Graphite, Powder Coat White:::Black
Operating Temp:	-40°F to 122°F (-40°C to 50°C)
Standards:	ETL, cETL, Wet Location Listed, IP65, Title 24 JA8 Compliant



FINISHES:



LINE DRAWING:

