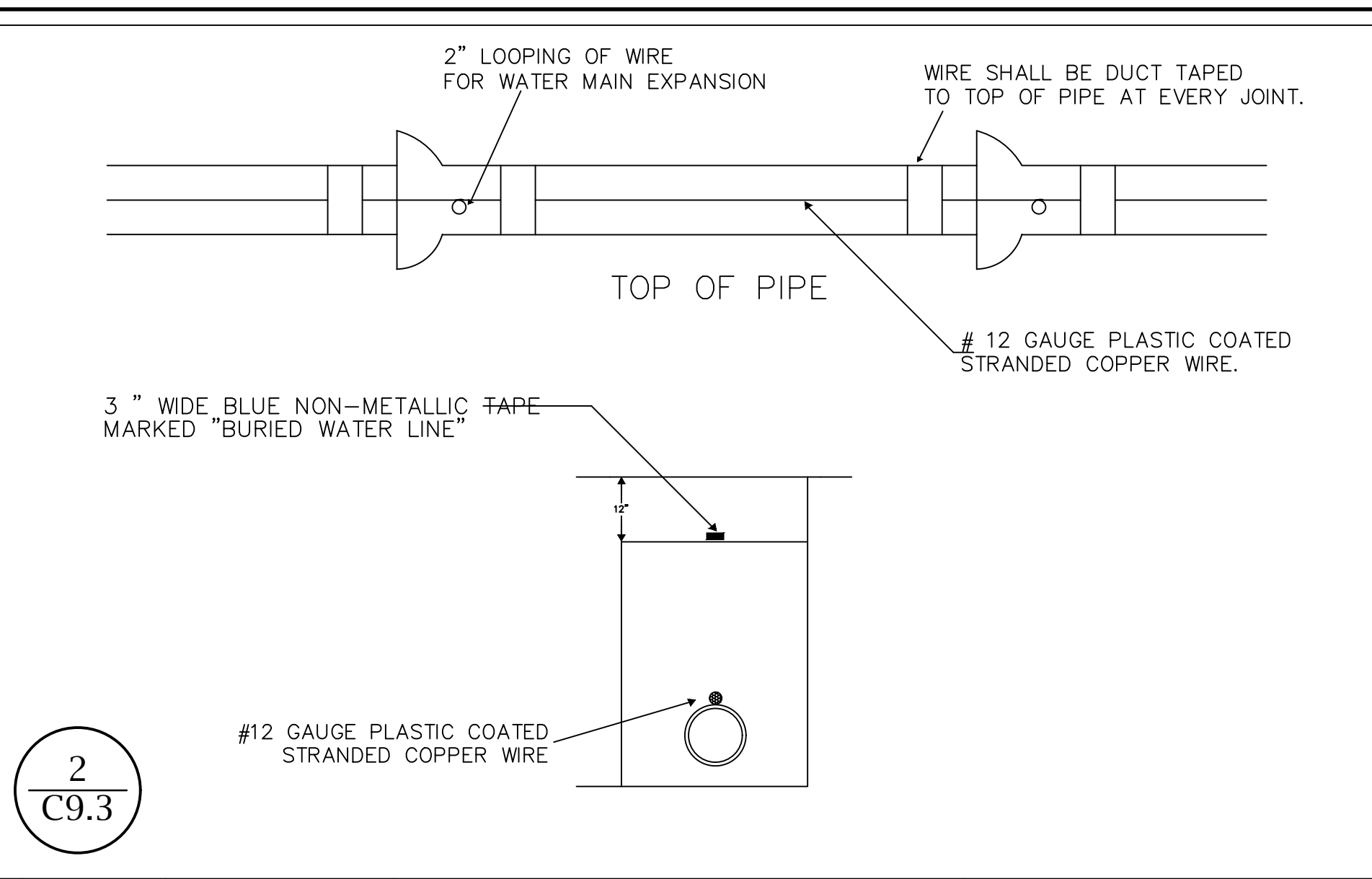
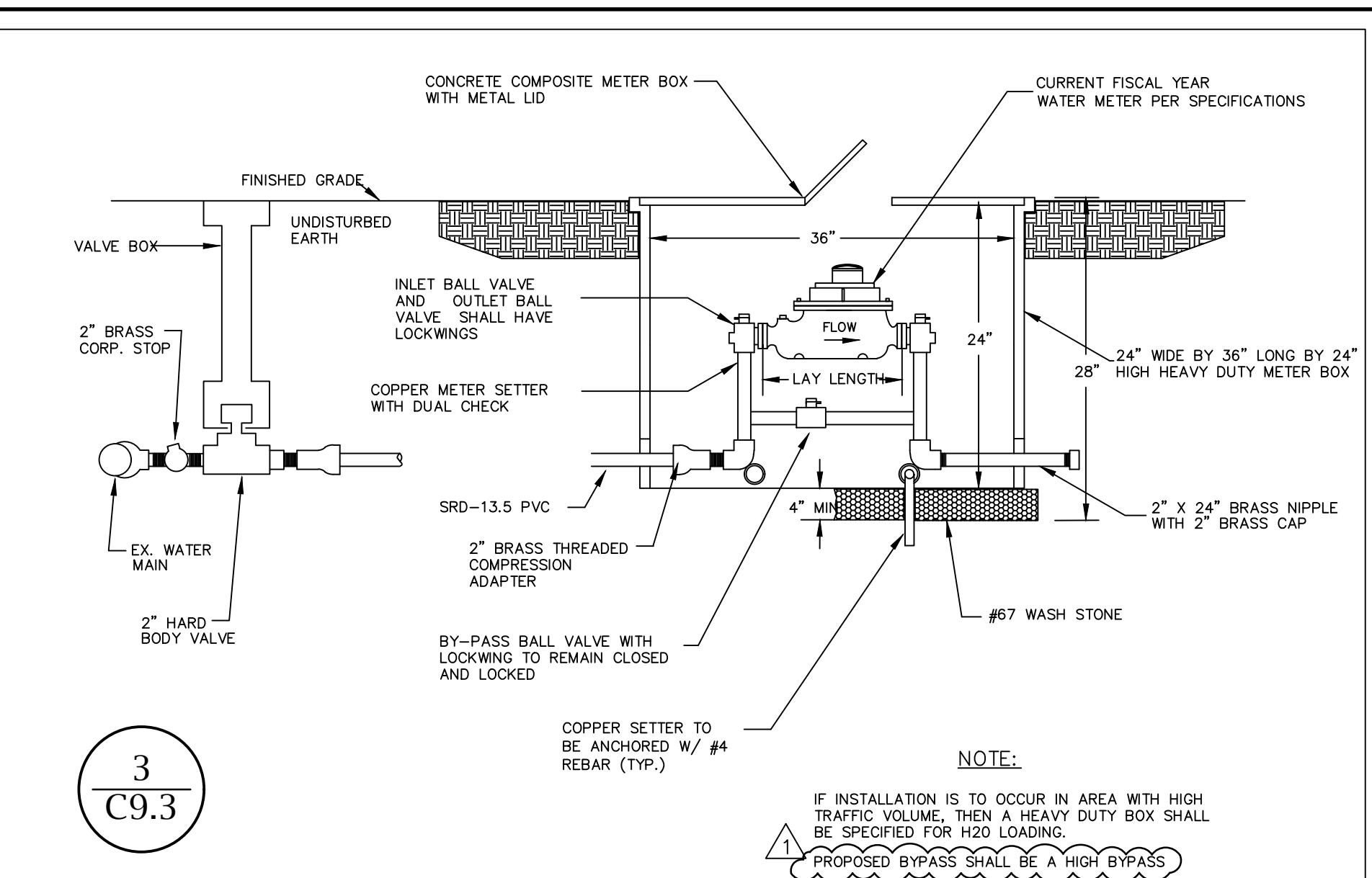


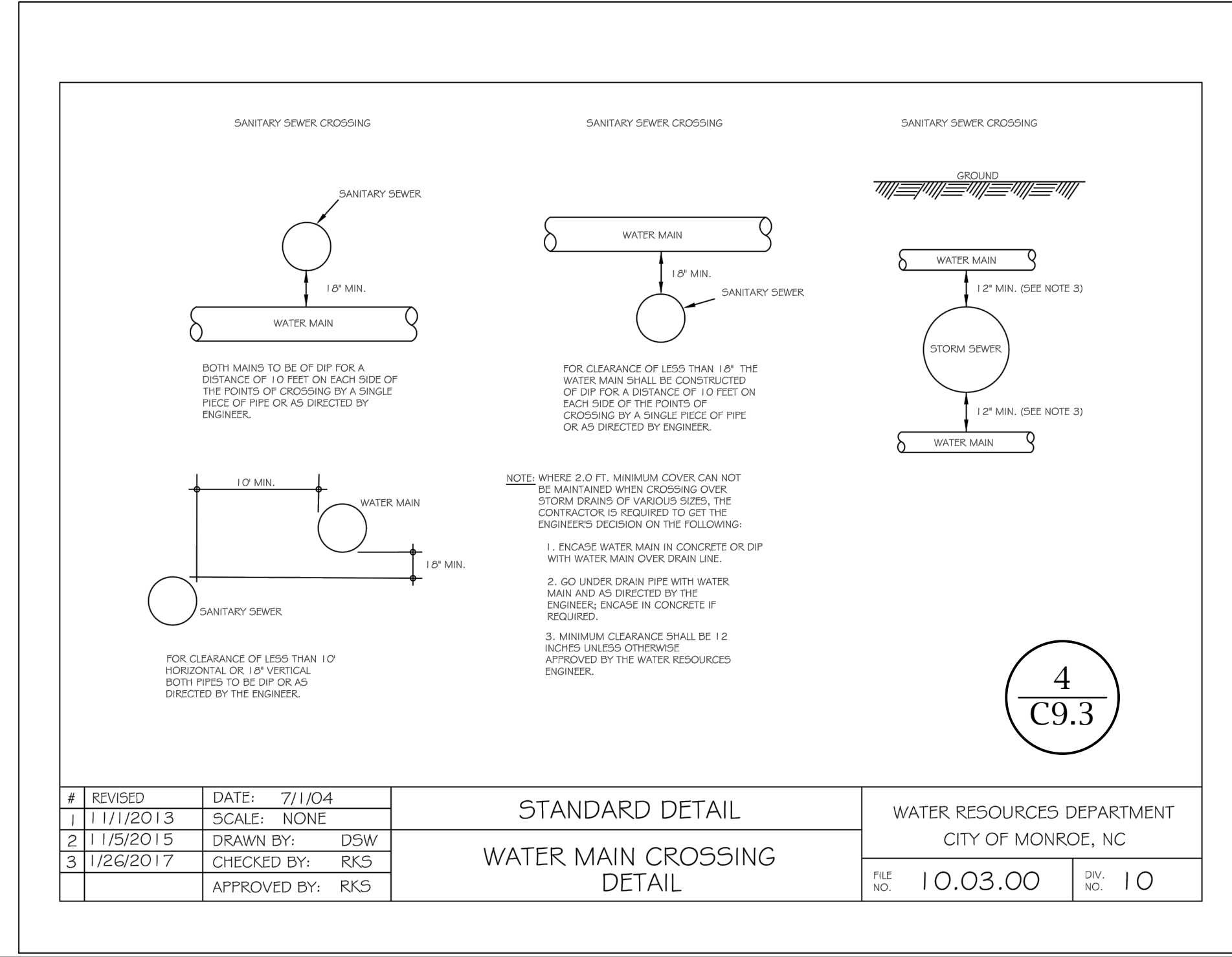
#	REVISED	DATE:	8/4/2017	SCALE:	RKS	STANDARD DETAIL	WATER RESOURCES DEPARTMENT
		DRAWN BY:	RKS	CHECKED BY:	RKS	TRENCH DETAIL	CITY OF MONROE, N.C.
		APPROVED BY:	RKS	FILE NO.	10.01.00		DIV. NO. 10



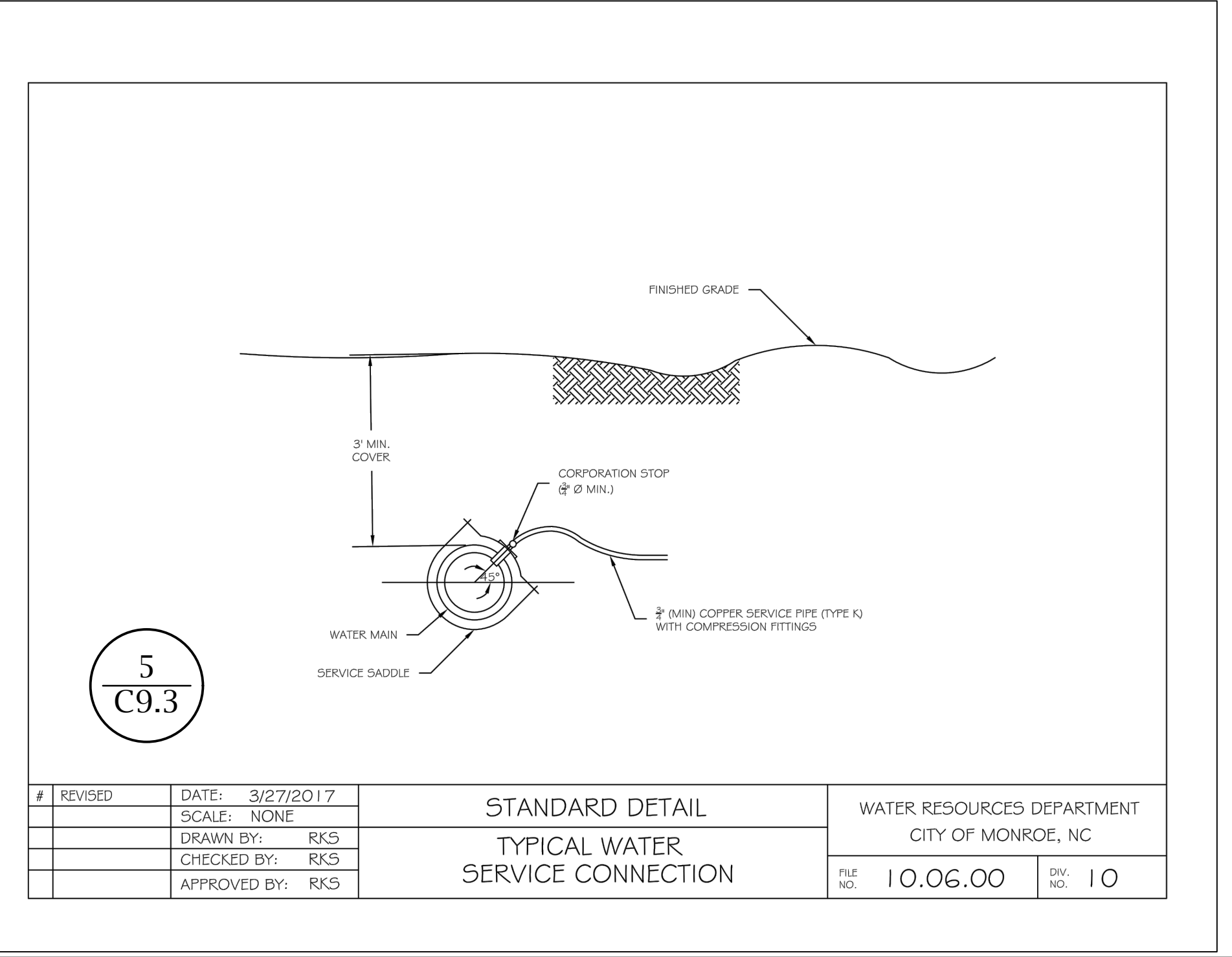
#	REVISED	DATE:	7/1/04	SCALE:	NONE	STANDARD DETAIL	WATER RESOURCES DEPARTMENT
		DRAWN BY:	DSW	CHECKED BY:	DSW	COPPER TRACING WIRE DETAIL	CITY OF MONROE, NC
		APPROVED BY:	DSW	FILE NO.	10.04.00		DIV. NO. 10



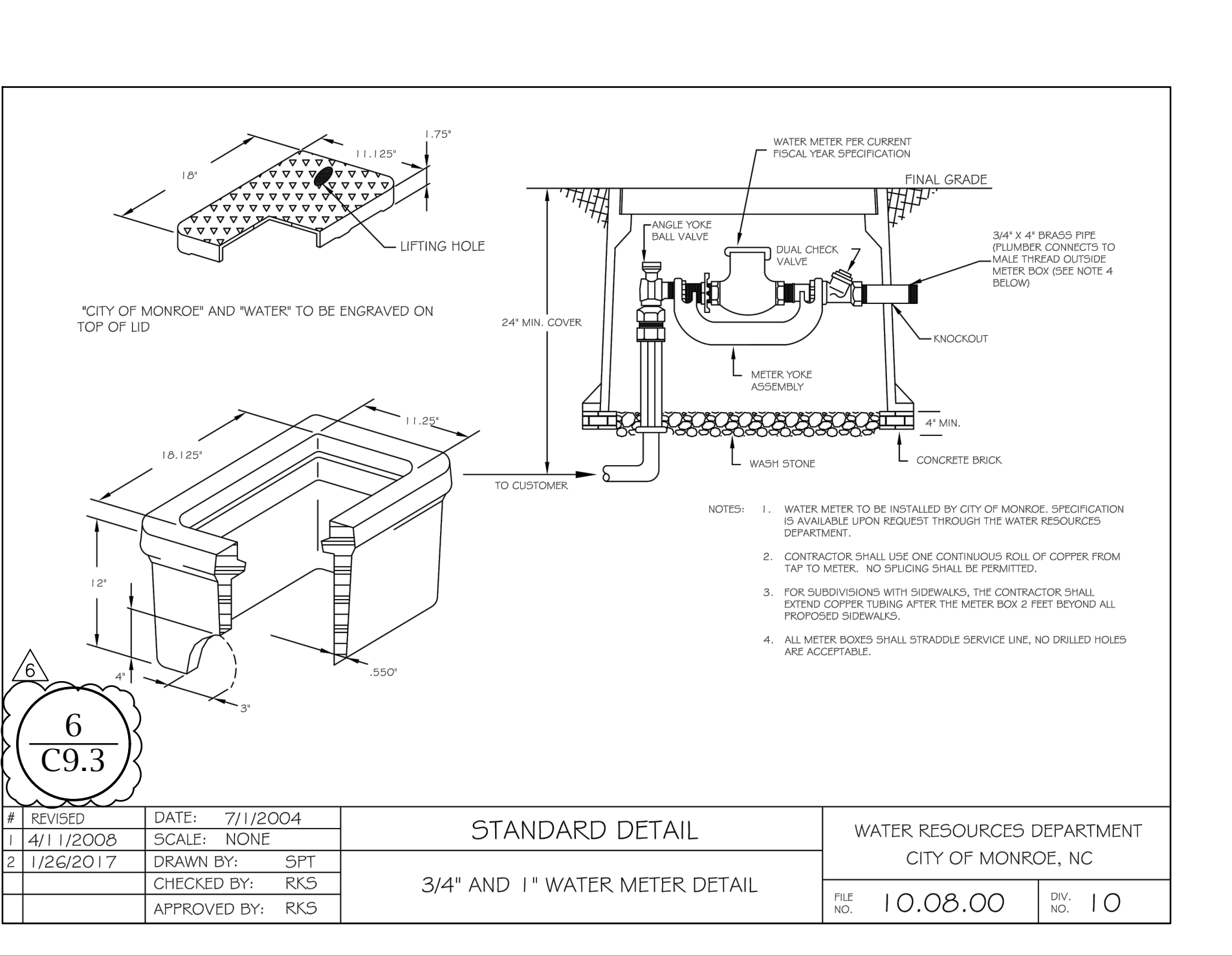
#	REVISED	DATE:	7/1/04	SCALE:	NONE	STANDARD DETAIL	WATER RESOURCES DEPARTMENT
		DRAWN BY:	DSW	CHECKED BY:	RKS	1-1/2" AND 2" WATER METER DETAIL	CITY OF MONROE, NC
		APPROVED BY:	RKS	FILE NO.	10.09.00		DIV. NO. 10



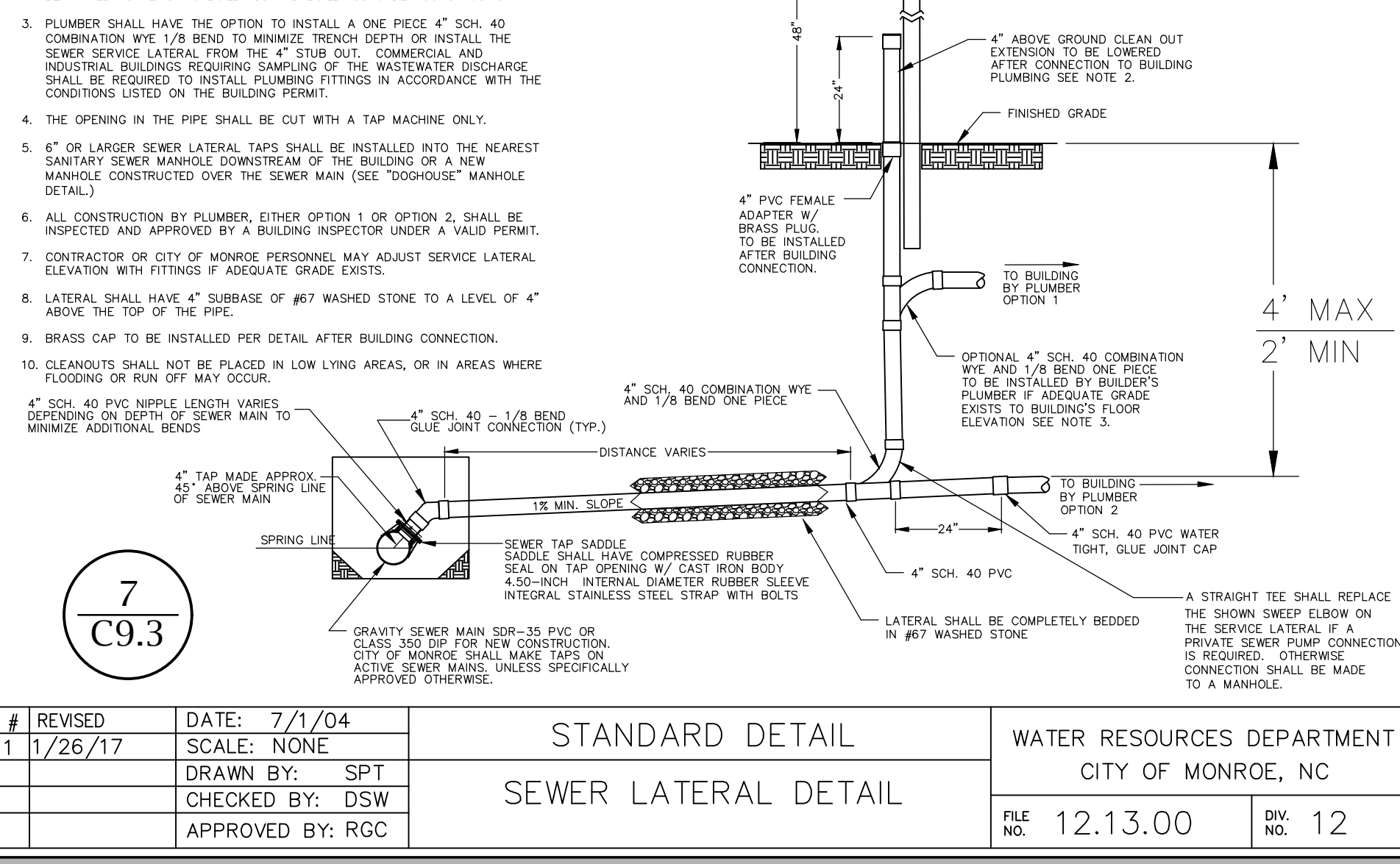
#	REVISED	DATE:	7/1/04	SCALE:	NONE	STANDARD DETAIL	WATER RESOURCES DEPARTMENT
		DRAWN BY:	DSW	CHECKED BY:	RKS	WATER MAIN CROSSING DETAIL	CITY OF MONROE, NC
		APPROVED BY:	RKS	FILE NO.	10.03.00		DIV. NO. 10



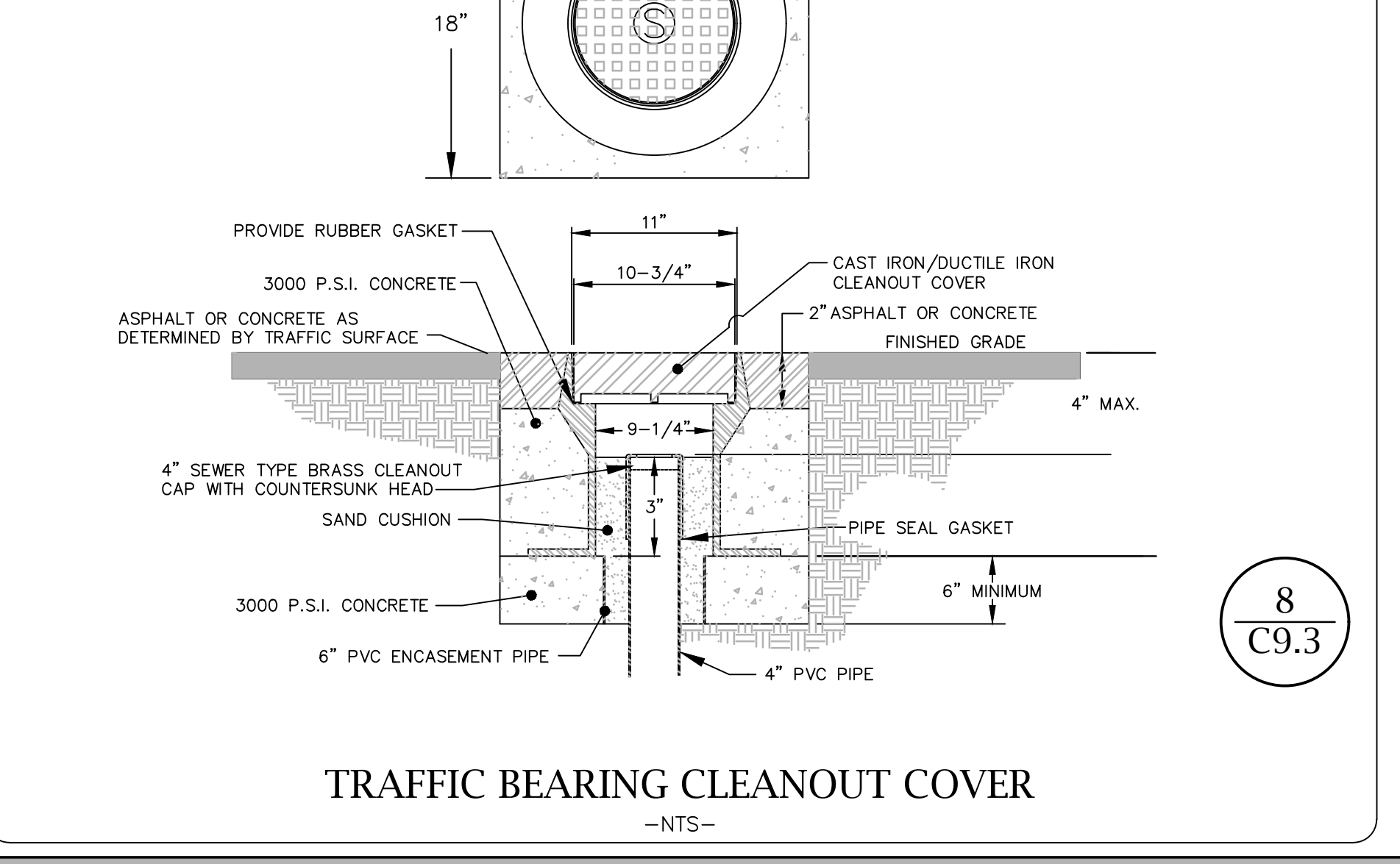
#	REVISED	DATE:	3/27/2017	SCALE:	NONE	STANDARD DETAIL	WATER RESOURCES DEPARTMENT
		DRAWN BY:	RKS	CHECKED BY:	RKS	TYPICAL WATER SERVICE CONNECTION	CITY OF MONROE, NC
		APPROVED BY:	RKS	FILE NO.	10.06.00		DIV. NO. 10



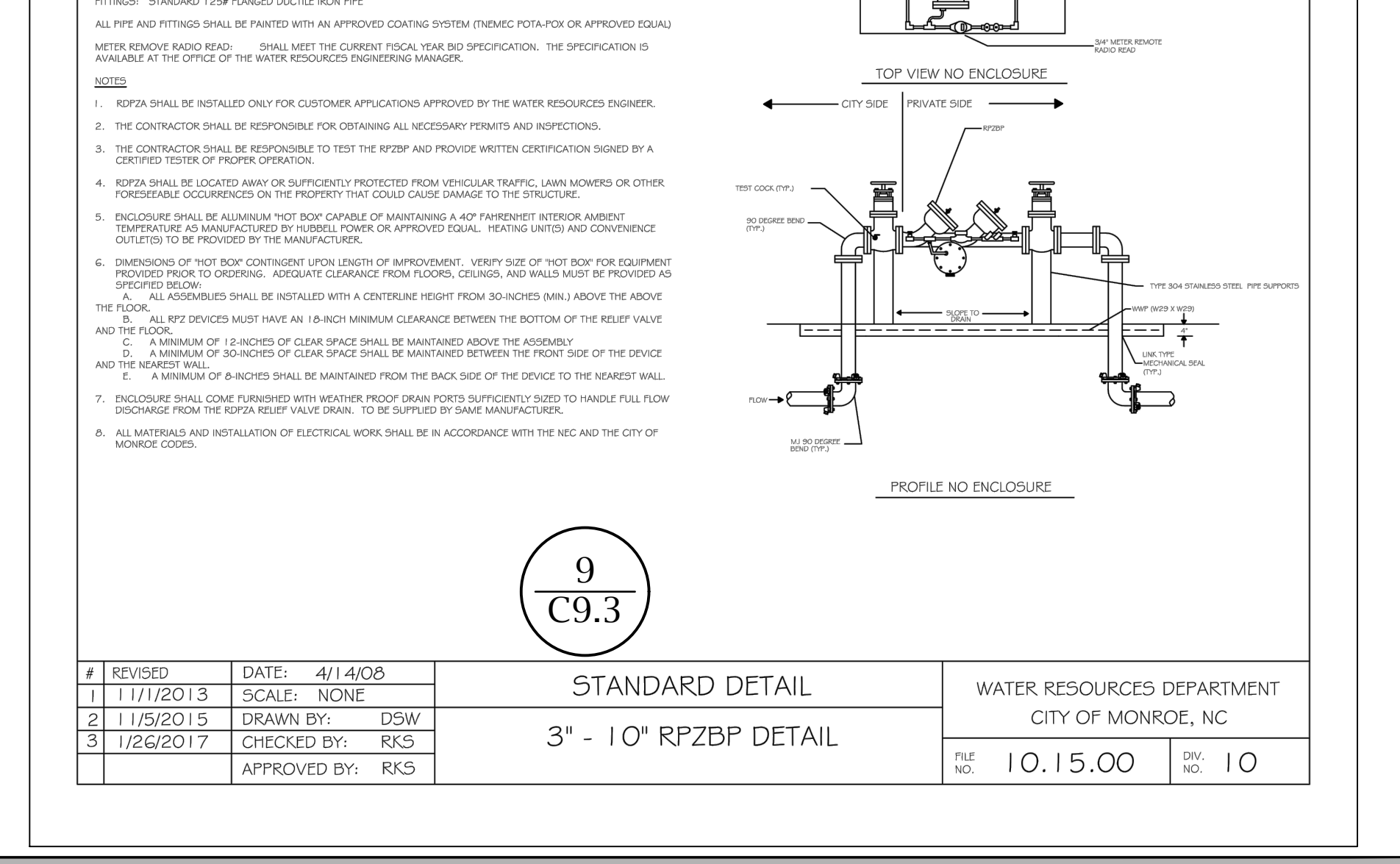
#	REVISED	DATE:	7/1/2004	SCALE:	NONE	STANDARD DETAIL	WATER RESOURCES DEPARTMENT
		DRAWN BY:	SPT	CHECKED BY:	RKS	3/4" AND 1" WATER METER DETAIL	CITY OF MONROE, NC
		APPROVED BY:	RKS	FILE NO.	10.08.00		DIV. NO. 10



#	REVISED	DATE:	7/1/04	SCALE:	NONE	STANDARD DETAIL	WATER RESOURCES DEPARTMENT
		DRAWN BY:	SPT	CHECKED BY:	DSW	SEWER LATERAL DETAIL	CITY OF MONROE, NC
		APPROVED BY:	RCC	FILE NO.	12.13.00		DIV. NO. 12

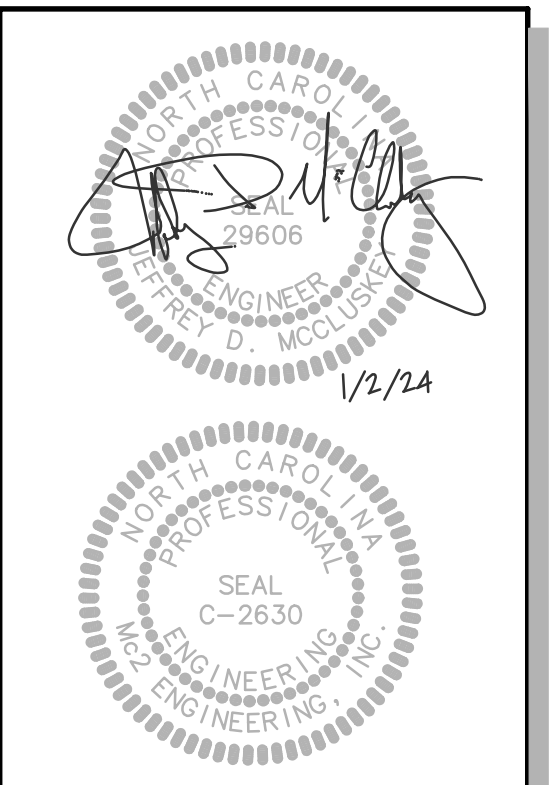


#	REVISED	DATE:	4/14/08	SCALE:	NONE	STANDARD DETAIL	WATER RESOURCES DEPARTMENT
		DRAWN BY:	DSW	CHECKED BY:	RKS	3" - 10" RPZBP DETAIL	CITY OF MONROE, NC
		APPROVED BY:	RKS	FILE NO.	10.15.00		DIV. NO. 10



#	REVISED	DATE:	4/14/08	SCALE:	NONE	STANDARD DETAIL	WATER RESOURCES DEPARTMENT
		DRAWN BY:	DSW	CHECKED BY:	RKS	3" - 10" RPZBP DETAIL	CITY OF MONROE, NC
		APPROVED BY:	RKS	FILE NO.	10.15.00		DIV. NO. 10

M²
ENGINEERING
M² ENGINEERING, INC., 400
2110 BELLEVILLE ROAD
CHARLOTTE, NC 28262
PHONE 704.510.9797



THE DESIGNS AND DRAWINGS SHOWN ARE THE PROPERTY OF M² ENGINEERING, INC. REPRODUCTION OR USE FOR ANY PURPOSE OTHER THAN THAT AUTHORIZED BY M² ENGINEERING, INC. IS PROHIBITED.

AY CARAMBA
FAMILY RESTAURANT
2525 CUTHBERTSON ROAD
WAXHAW, NC 28173

SITE DETAILS

REVISIONS		
1	9/30/22	CITY COMMENTS
6	1/2/24	OWNER COMMENTS

CAD FILE: 22-008 BASE-DWG
PROJECT NO.: 22-008
DESIGNED BY: JDM
REVIEWED BY: JDM
DATE: JUNE 29, 2022

C9.3