

PLUMBING SPECIFICATIONS

01 GENERAL CONDITIONS
GENERAL AND SPECIAL CONDITIONS ARE HEREBY MADE AN INTEGRAL PART OF THIS DIVISION OF THE SPECIFICATIONS IN THAT THEY ARE APPLICABLE TO THE WORK UNDER THIS DIVISION UNLESS OTHERWISE NOTED.
PERMITS: APPLY FOR AND PAY FOR ALL NECESSARY PERMITS, FEES, AND INSPECTIONS REQUIRED BY ANY PUBLIC AUTHORITY HAVING JURISDICTION. ACREAGE CHARGES, BOND PROPERTY ASSESSMENTS AND FACILITIES CHARGE ARE NOT TO BE CONSTRUED TO BE A PART OF THIS CONTRACT.

PERMITS: APPLY FOR AND PAY FOR ALL NECESSARY PERMITS, FEES, AND INSPECTIONS REQUIRED BY ANY PUBLIC AUTHORITY HAVING JURISDICTION. ACREAGE CHARGES, BOND PROPERTY ASSESSMENTS AND FACILITIES CHARGE ARE NOT TO BE CONSTRUED TO BE A PART OF THIS CONTRACT.

WARRANTY: PROVIDE ALL MATERIALS AND EQUIPMENT UNDER THIS SECTION OF THE SPECIFICATIONS WITH A ONE YEAR WARRANTY FROM THE DATE OF ACCEPTANCE OF WORK BY THE OWNER.

THE CONTRACTOR SHALL TIE INTO CIVIL PROVIDED TAP AS INDICATED ON PLANS. ALL COSTS FOR THIS SERVICE SHALL BE PART OF HIS BID CONTRACT PRICE.

PROTECT COPPER PIPING AGAINST CONTACT WITH DISSIMILAR METALS. ALL HANGERS, SUPPORTS, ANCHORS, AND CLIPS SHALL BE COPPER OR COPPER PLATED.

PROTECT COPPER PIPING AGAINST CONTACT WITH ALL MASONRY. WHERE COPPER IS SLEEVED THROUGH MASONRY, PROVIDE COPPER OR RED BRASS SLEEVES.

MAKE SURE PROVISIONS ARE INSTALLED IN ALL PIPING SO NO STRAIN OR BREAKAGE RESULTS FROM EXPANSION OR CONTRACTION.

INSTALL WATER PIPING IN EXTERIOR WALLS ON THE CONDITIONED SIDE OF THE WALL INSULATION.

PITCH ALL WATER PIPES SO THAT ALL PARTS MAY BE DRAINED. THE FORMATION OF SAGS AND TRAPS SHALL BE AVOIDED.

PROVIDE SHOCK ARRESTORS WHERE SHOWN ON PLANS FOR THE COMPLETE ELIMINATION OF WATER HAMMER.

STERILIZE DOMESTIC WATER PIPING IN ACCORDANCE WITH THE AMERICAN WATER WORKS ASSOCIATION'S SPECIFICATIONS AND LOCAL HEALTH DEPARTMENT REGULATIONS.

SANITARY PIPING 2.5" OR LESS SHALL BE SLOPED AT 1/4" PER FOOT. SANITARY PIPING 3" OR LARGER SHALL BE SLOPED AT 1/8" PER FOOT, UNLESS OTHERWISE REQUIRED BY CODE OR NOTED.

WHERE WASTE PIPING IS EXPOSED IN REST ROOM AREAS, PROVIDE CHROME PLATED BRASS PIPING, WITH MATCHING STOPS AND ESCUTCHEONS.

PROVIDE REMOVABLE TRAPS WITH INTEGRAL CLEAN-OUT PLUG FOR ALL LAVATORIES. INSTALL CLEAN-OUTS IN A LOCATION THAT PERMITS ACCESS FOR SERVICE WITHOUT DAMAGE TO THE BUILDING OR FINISHED MATERIALS.

INSTALL CLEAN-OUTS IN A LOCATION THAT PERMITS ACCESS FOR SERVICE WITHOUT DAMAGE TO THE BUILDING OR FINISHED MATERIALS.

02 MATERIALS AND EQUIPMENT

ALL NEW WORK SHALL BE OF MATERIALS LISTED BELOW OR SHALL MATCH EXISTING. IF A CONFLICT EXISTS BETWEEN MATERIALS AND/OR EQUIPMENT, THE MORE STRINGENT SHALL APPLY AS ADJUDGED BY THE ARCHITECT/ENGINEER. THE CONTRACTOR SHALL FIELD VERIFY MATERIAL TYPE AND EQUIPMENT.

- A. SANITARY SEWER PIPE AND FITTINGS - BELOW GRADE: SCHEDULE 40 PVC DWV PIPE, (ASTM D1784 - D1785), PVC SOCKET FITTINGS AND SOLVENT CEMENTED FITTINGS. (ASTM D2665)
B. SANITARY SEWER/VENT PIPE AND FITTINGS - ABOVE GRADE: SCHEDULE 40 PVC DWV PIPE, (ASTM D1784 - D1785), PVC SOCKET FITTINGS AND SOLVENT CEMENTED FITTINGS. (ASTM D2665)
C. DOMESTIC WATER PIPING BELOW GRADE: SOFT ANNEALED SEAMLESS COPPER TUBING, TYPE 'K' WITH NO JOINTS BELOW GRADE (ASTM B 88).

- D. DOMESTIC WATER PIPING AND JOINTS ABOVE GRADE: HARD DRAWN SEAMLESS COPPER TUBING, TYPE 'L' (ASTM B 88) WITH 95-5 SILVER SOLDERED JOINTS (ASME B16.18/22) OR PRESSURE SEALED JOINTS WITH EPDM-RUBBER, O-RING SEAL (PROGRESS OR EQUAL).
E. NATURAL GAS PIPE AND FITTINGS ABOVE GRADE: HARD DRAWN SEAMLESS COPPER TUBING, TYPE 'L' (ASTM B 88) WITH WROUGHT-COPPER FITTINGS BRAZED JOINTS (ASME B16.50) OR PRESSURE SEALED JOINTS WITH EPDM-RUBBER, O-RING SEAL (PROGRESS-G OR EQUAL) (ANSI LC-4).

03 INSULATION

INSULATE DOMESTIC WATER PIPING ABOVE GRADE (EXCEPT EXPOSED CONNECTIONS TO PLUMBING FIXTURES) WITH PREFORMED FIBERGLASS OR ENGINEERED POLYMER FOAM INSULATION. FOLLOW THIS SCHEDULE:
SERVICE PIPE SIZE THICKNESS
DOMESTIC HOT WATER (105 -140 F) ALL 1"
DOMESTIC HOT WATER RETURN ALL 1"
DOMESTIC COLD WATER ALL 1/2"

PIPING INSULATION, JACKETS, COVERINGS, SEALERS, MASTICS AND ADHESIVES ARE REQUIRED TO MEET A FLAME-SPREAD RATING OF 25 OR LESS AND A SMOKE-DEVELOPED RATING OF 50 OR LESS, AS TESTED BY (ASTM E84/NFPA 255) METHOD.
INSULATE HORIZONTAL STORM DRAIN PIPING ABOVE GRADE AND ROOF DRAIN BODIES WITH 1.5" PREFORMED FIBERGLASS OR ENGINEERED POLYMER FOAM INSULATION.

04 VALVES

SHUT OFF VALVES: BRASS/BRONZE, BALL TYPE, FULL PORT, TWO-PIECE, 125 PSI WORKING PRESSURE, NSF 61 APPROVED.
CHECK VALVES: BRASS/BRONZE, SWING TYPE, 125 PSI WORKING PRESSURE, NSF 61 APPROVED.
INSTALL IN A LOCATION THAT PERMITS ACCESS FOR SERVICE WITHOUT DAMAGE TO THE BUILDING OR FINISHED MATERIALS. PROVIDE ACCESS DOORS IF REQUIRED.

05 TESTS

ALL SOIL, WASTE, VENT AND WATER PIPING SHALL BE TESTED BY THE CONTRACTOR IN THE PRESENCE OF THE PLUMBING INSPECTOR AND SHALL BE APPROVED BY THE ENGINEER BEFORE ACCEPTANCE. ALL PIPING LOCATED UNDERGROUND OR CONCEALED IN BUILDING CONSTRUCTION SHALL BE TESTED BEFORE BACKFILLING OR CONCEALING PIPE. ALL TESTS REQUIRED FOR EQUIPMENT SHALL BE FURNISHED BY THE CONTRACTOR WITHOUT ADDITIONAL CHARGE TO THE OWNER.

06 SEISMIC REQUIREMENTS

PROPERLY SUPPORT AND BRACE VERTICALLY AND HORIZONTALLY ALL PIPING, APPARATUS, EQUIPMENT, ETC. IN ACCORDANCE WITH APPLICABLE CODES TO PREVENT EXCESSIVE MOVEMENT DURING SEISMIC CONDITIONS.

07 GUARANTEE

THE CONTRACTOR SHALL GUARANTEE THE COMPLETE PLUMBING SYSTEM AGAINST DEFECTS DUE TO FAULTY MATERIALS, WORKMANSHIP OR FAILURE DUE TO NEGLIGENCE OF THE CONTRACTOR. THIS GUARANTEE SHALL EXTEND 12 MONTHS FROM DATE OF FINAL ACCEPTANCE. ALL SERVICE CALLS DURING THIS PERIOD SHALL BE PROVIDED BY THE CONTRACTOR.

PLUMBING LEGEND

NEW WORK, ABBREVIATIONS, and plumbing symbols including domestic cold water, sanitary, vent, storm drain, condensate, grease waste, drain, sump pump discharge, pipe turning down, pipe turning up, pipe cap, fixture supply with shut-off, shut-off valve, check valve, expansion valve, balancing valve, pressure reducing/regulating valve, strainer, gas cock, gas regulator, safety or relief valve, solenoid valve, OS&Y valve, floor drain, hub drain, floor sink, trench drain, roof drain, floor cleanout, end-of-line cleanout, wall cleanout, pressure gage, thermometer, backflow preventer, meter, pump, freeze protection, hose bib, trap primer, flow switch, pipe anchor, pipe sleeve, flexible connection, revision notes, and connection symbols.

GAS PIPING NOTES

- 1. GAS PIPING SHALL BE INSTALLED IN ACCORDANCE WITH THE 2018 NORTH CAROLINA FUEL GAS CODE, AND NFPA STANDARD NO. 54 WHICH APPLY.
2. GAS PIPING SHALL BE TESTED IN ACCORDANCE WITH THE PROCEDURES DESCRIBED IN NFPA NO 54. ANY OTHER TEST AS REQUIRED BY THE LOCAL GAS INSPECTION DEPARTMENT OR GAS COMPANY SHALL ALSO BE PERFORMED.
3. MINIMUM GAS PIPING SIZING SHALL BE 3/4".
4. GAS PIPING COLOR/LABELS:
EXTERIOR:
A. LABEL ALL GAS PIPING "GAS/PRESSURE" ON PIPE AT 5'-0" CENTERS.
B. COLOR: ON ROOF PAINT WITH TWO COATS OF YELLOW ENAMEL, ON VERTICAL WALLS PAINT TO MATCH WALL COLOR.
INTERIOR:
A. LABEL ALL GAS PIPING "GAS/PRESSURE", SPACING AND COLOR PER ANSI/ASME A13.1 CODE REQUIREMENTS.
5. GAS PIPING SUPPORTS:
EXTERIOR:
A. PIPING ROUTED ON ROOF SHALL BE STRAPPED TO MANUFACTURED SUPPORTS "QUICK-BLOCK" OR EQUAL. GAS SUPPORTS SPACED PER NFPA 54 7.2.5.2.
INTERIOR:
A. PIPING TO BE SUPPORTED BY CLEVIS HANGERS W/ THREADED ROD OR UNI-STRUT SYSTEM. GAS SUPPORTS SPACED PER NFPA 54 7.2.5.2.
6. GAS VALVES SHALL BE ANSI/CSA APPROVED, 125 PSI RATED, 2 PIECE, FULL PORT, BALL VALVES W/BRASS BODY AND BALL. PROVIDE W/ LEVER HANDLE.
7. PROVIDE UNIONS, FLANGES OR COUPLINGS AT CONNECTION TO ALL VALVES AND EQUIPMENT. DO NOT USE DIRECT WELDED OR THREADED CONNECTIONS TO VALVES, EQUIPMENT OR OTHER APPARATUS.
8. PROVIDE NON-CONDUCTING DIELECTRIC UNIONS WHENEVER CONNECTING DISSIMILAR METALS.
9. PROVIDE DIRT LEG, GAS VALVE AND GAS REGULATOR AT EACH PIECE OF EQUIPMENT INSTALLED IN ACCESSIBLE LOCATION WITH-IN 36" OF EQUIPMENT. USE VENT-LESS REGULATORS INDOORS WHEN POSSIBLE. ROUTE VENTED REGULATOR VENTS TO EXTERIOR.

GAS LOAD REQUIREMENTS

Table with 5 columns: TAG, DESCRIPTION, QTY, INPUT MBH, TOTAL MBH. Rows include WH-1 (Water Heater), KE (Kitchen Equipment), RTU-1 to RTU-4 (Roof Top Units), and MUA-1 (Make-up Air Unit). Total Building Load MBH is 2009.6.

** KITCHEN EQUIPMENT GAS LOADS BASED ON KE LIST PROVIDED BY R.D. & D (RESTAURANT DESIGN AND DEVELOPMENT, MATTHEWS, NC)

GAS PIPE SIZING

Table with 3 columns: PIPE SIZE (INCHES), CAPACITY (MBH), and a list of requirements including 2018 North Carolina Fuel Gas Code, total gas input of 2009.6 MBH, length of 120 LN/FT, fittings factor of 20%, and total equivalent length of 144 LN/FT.

PLUMBING DRAWING SCHEDULE

Table with 2 columns: DRAWING NUMBER, DESCRIPTION. Rows include P0.1 (Specifications, Legends, & General Notes), P0.2 (Plumbing Schedules), P0.3 (Plumbing Details), P1.1 to P1.4 (Plumbing Floor Plans).

PLUMBING NOTES

- 1. ALL PLUMBING SHALL BE INSTALLED IN ACCORDANCE WITH THE 2018 NORTH CAROLINA FUEL GAS CODE, AND THE NATIONAL FIRE CODES WHICH APPLY.
2. ALL PLUMBING PIPING SHALL BE CLOSELY COORDINATED WITH STRUCTURAL SYSTEM, MECHANICAL SYSTEM AND ELECTRICAL SYSTEM TO INSURE PROPER COMPLIANCE WITH CODES AND INSURE THAT ALL TRADES WILL NOT CONFLICT WITH EACH OTHER.
3. IF ANY SUBSTITUTED EQUIPMENT IS SUBMITTED AND APPROVED WITH PLUMBING CONNECTIONS OTHER THAN THAT SHOWN ON THE DRAWINGS AND SCHEDULES, IT SHALL BE THE RESPONSIBILITY OF THE CONTRACTOR TO PROVIDE PROPER PLUMBING CONNECTIONS TO THIS EQUIPMENT AT NO ADDITIONAL COST TO THE OWNER.
4. DO NOT SCALE DRAWINGS. REFER TO ARCHITECTURAL DRAWINGS FOR EXACT LOCATIONS OF DOORS, WINDOWS, WALLS, FIXTURES, ETC.
5. ALL CLEANOUTS SHALL HAVE TOPS ESPECIALLY DESIGNED FOR SPECIFIC FLOOR FINISHES SUCH AS CARPET, TILE, ETC. UNLESS OTHERWISE SPECIFIED.
6. ALL FLOOR CLEANOUT, FLOOR DRAIN AND CATCH BASIN TOPS SHALL BE COVERED DURING CONSTRUCTION TO PREVENT DAMAGE.
7. VENTS WILL BE COLLECTED ABOVE THE CEILING AND EXTENDED THROUGH THE ROOF AT AS FEW POINTS AS POSSIBLE. VENT PENETRATIONS SHALL AVOID MECHANICAL EQUIPMENT INTAKE AIR LOCATIONS PER CODE REQUIREMENTS.
8. EXCEPT WHERE PIPE SPACE IS PROVIDED OR UNLESS OTHERWISE NOTED, ALL SUPPLY, WASTE AND VENT RISERS SHALL BE RUN IN WALLS AND PARTITIONS.
9. PROVIDE ACCESS PANELS AS REQUIRED AT VALVE LOCATIONS TO PROVIDE ACCESS TO CONTROL VALVES. COORDINATE TYPE AND LOCATION WITH GENERAL CONTRACTOR.
10. PROVIDE FOR ACCESS TO ALL EQUIPMENT REQUIRING CLEANING OR ADJUSTMENT.
11. P.C. SHALL PROVIDE A PRESSURE REDUCING VALVE WHERE WATER MAIN ENTERS BUILDING IF PRESSURE EXCEEDS 80 PSI. SET PRV @ 75 PSI.

PIPE LABEL LEGEND

Table with 2 columns: PLAN DESIGNATION, PIPE LABEL. Rows include CW (Domestic Water), HW (Domestic Hot Water), HWR (Domestic Hot Water Return), SS (Sanitary Sewer), and G (Gas/Pressure).

NOTES: ALL PIPING WITH THE DESIGNATIONS ABOVE WILL BE LABELED PER ANSI/ASME A13.1 NON-POTABLE SYSTEMS WILL BE LABELED PER IPC SECTION 608.8

SHOCK ARRESTOR TABLE

Table with 6 columns: TAG, PDI WH201 DESIGNATION, FIXTURE UNITS, SELECTION BASED ON (MANUFACTURER, MODEL NUMBER), REMARKS. Rows include SA#1 to SA#5 with various fixture units and manufacturer/model information.

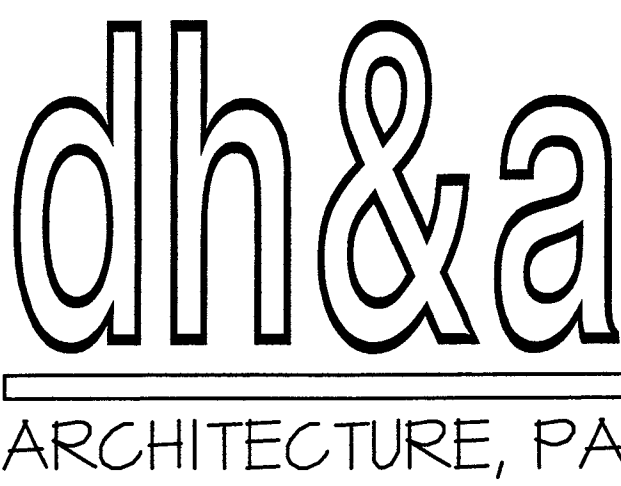
- 1. INSTALL ARRESTORS PER PDI WH201 AND MANUFACTURERS REQUIREMENTS.

FOOD SERVICE PLUMBING SCHEDULE

Table with 10 columns: TAG, DESCRIPTION, WASTE (DIRECT, INDIRECT), VENT, C.W., H.W. (110", 140"), GAS CONN., GAS MBH, NOTES/OPTIONS. Includes Kitchen Area items like Dishwasher, Prep Sink, Can Wash, Hand Sink, Ice Maker Head, and Ice Maker Bin.

PLUMBING EQUIPMENT NOTES:

- 1. IT SHALL BE THE PLUMBING CONTRACTORS RESPONSIBILITY TO MAKE ALL FINAL CONNECTIONS FROM KITCHEN/BAR EQUIPMENT TO THE PLUMBING MAINS SHOWN ON THIS PLAN.
2. THE PLUMBING CONNECTION SCHEDULE ON THIS PLAN RELATES REQUIRED CONNECTIONS TO INDIVIDUAL EQUIPMENT ONLY.
3. PLUMBING CONTRACTOR SHALL REFER TO "KITCHEN EQUIPMENT COMPANY" CUT SHEETS FOR ALL ROUTING OF FINAL CONNECTIONS TO EQUIPMENT AND EXACT ROUGH-IN LOCATIONS.
4. PLUMBING CONTRACTOR SHALL MOUNT ALL FLOOR SINKS FLUSH WITH FINISHED FLOOR ELEVATION.
5. ALL FLOOR DRAINS ARE WASHED BY HOSE BIBBS LOCATED IN BATHROOMS AND KITCHEN.

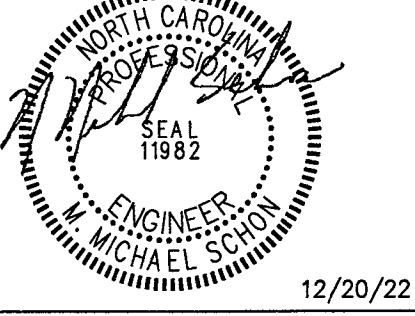


1208 CURTIS STREET
MONROE, NORTH CAROLINA
28112, TEL: 704-283-2408
FAX: 704-291-7909
cha.architects@frontier.com

CONSULTANTS



P-1817
1001 LANCASTER AVE.
MONROE, NC 28112
704-282-0826



RESTAURANT
AT CARAMBA I

650 WEST ROOSEVELT BLVD.
MONROE, NC 28110

SHEET TITLE

PLUMBING SPECIFICATIONS

P0.1

PLUMBING FIXTURE SCHEDULE

TAG	FIXTURE TYPE	DESCRIPTION	SERVICE CONNECTIONS				REMARKS
			SAN	VENT	HW	CW	
W-1	WATER CLOSET TANK-TYPE	WATER CLOSET SHALL BE EQUAL TO AMERICAN STANDARD "CADET PRO" MODEL #215CA.104.020, WHITE, VITREOUS CHINA, ELONGATED BOWL, TANK TYPE, 1.28 GPF, FLOOR MOUNTED, BOTTOM OUTLET, 12" ROUGH-IN. SEAT SHALL BE EQUAL TO CHURON MODEL #9500SS01, ELONGATED WHITE OPEN FRONT SEAT LESS COVER. WATER CLOSET SHALL BE PROVIDED WITH CHROME PLATED SUPPLY WITH LOOSE KEY STOP EQUAL TO MCGUIRE #172.	3"	2"	-	1/2"	FIXTURE RIM TO FINISHED FLOOR MOUNTING HEIGHT SHALL BE 15".
W-1a	BARRIER-FREE WATER CLOSET TANK-TYPE	WATER CLOSET SHALL BE EQUAL TO AMERICAN STANDARD "CADET PRO" MODEL #215AA.104.020, WHITE, VITREOUS CHINA, ELONGATED BOWL, TANK TYPE, 1.28 GPF, FLOOR MOUNTED, BOTTOM OUTLET, 12" ROUGH-IN. SEAT SHALL BE EQUAL TO CHURON MODEL #9500SS01, ELONGATED WHITE OPEN FRONT SEAT LESS COVER. WATER CLOSET SHALL BE PROVIDED WITH CHROME PLATED SUPPLY WITH LOOSE KEY STOP EQUAL TO MCGUIRE #172.	3"	2"	-	1/2"	FIXTURE RIM TO FINISHED FLOOR MOUNTING HEIGHT SHALL BE 17". LOCATE FLUSH LEVER ON WIDE SIDE OF STALL.
U-1	URINAL FLUSH VALVE	URINAL SHALL BE EQUAL TO AMERICAN STANDARD "ALLBROOK FLOWISE" MODEL #6550.005.020, WHITE, VITREOUS CHINA, 0.5 GPF, WALL MOUNTED. URINAL SHALL BE MOUNTED USING A HANGER PLATE CARRIER. FLUSH VALVE SHALL BE EQUAL TO SLOAN REGAL #186.	2"	1 1/2"	-	3/4"	FIXTURE RIM TO FINISHED FLOOR MOUNTING HEIGHT SHALL BE 24".
U-1a	BARRIER-FREE URINAL FLUSH VALVE	URINAL SHALL BE EQUAL TO AMERICAN STANDARD "ALLBROOK FLOWISE" MODEL #6550.005.020, WHITE, VITREOUS CHINA, 0.5 GPF, WALL MOUNTED. URINAL SHALL BE MOUNTED USING A HANGER PLATE CARRIER. FLUSH VALVE SHALL BE EQUAL TO SLOAN REGAL #186.	2"	1 1/2"	-	3/4"	FIXTURE RIM TO FINISHED FLOOR MOUNTING HEIGHT SHALL BE 17".
L-1	BARRIER-FREE LAVATORY WALL HUNG	LAVATORY SHALL BE AMERICAN STANDARD "LUCERNE" MODEL #0356.015.020, VITREOUS CHINA, WALL HUNG. PROVIDE AMERICAN STANDARD FAUCET MODEL #7057.115.002 SENSOR FAUCET. PROVIDE LAVATORY COMPLETE WITH GRID DRAIN, PREWRAPPED INSULATED, CAST BRASS, OFFSET TAILPIECE AND P-TRAP WITH CLEANOUT (EQUAL TO MCGUIRE #PW2150WC) AND CHROME PLATED SUPPLIES (EQUAL TO MCGUIRE #175).	2"	1 1/2"	1/2"	1/2"	
MS-1	MOP SINK	SINK SHALL BE EQUAL TO FLORESTONE MODEL #91, 24"x24"x12", PRECAST TERRAZZO WITH 6" DROP FRONT. PROVIDE FAUCET EQUAL TO DELTA MODEL #2819, INTEGRAL STOPS, VACUUM BREAKER, PAIL HOOK, THREADED SPOUT, AND LEVER HANDLES. PROVIDE SINK COMPLETE WITH MOP HANGER, HOSE WITH BRACKET, AND P-TRAP.	3"	1 1/2"	3/4"	3/4"	PROVIDE CHECK VALVE STOPS ON HW & CW SUPPLIES WITH ACCESS DOOR ABOVE FAUCET.
IMB	ICE MACHINE BOX	ICE MACHINE BOX SHALL BE EQUAL TO GUY GRAY MODEL #FRIB-12 FIRE RATED.	-	-	-	1/2"	W/ VACUUM BREAKER
FPH	WALL HYDRANT	FREEZE PROOF HYDRANT SHALL BE EQUAL TO WOODFORD MODEL #65.	-	-	-	1/2"	
HB	HOSE BIBB	HOSE BIBB SHALL BE EQUAL TO WOODFORD MODEL #24.	-	-	-	1/2"	PROVIDE WITH METAL HANDLE
AAV	AIR ADMITTANCE VALVE	AIR ADMITTANCE VALVE SHALL BE EQUAL TO STUODOR VENT MODEL #MAXI-VENT OR EQUAL.	SEE DWGS.	-	-	-	
BV	BALANCING VALVE	BALANCING VALVE SHALL BE THERMOMEGA TECH "CIRCUIT SOLVER" MODEL CSU. PROVIDE SHUT-OFFS AT VALVE.	-	-	-	-	
HD	HUB DRAIN	HUB DRAIN SHALL BE EQUAL TO ZURN MODEL #ZN-415 WITH TYPE "1" STRAINER.	SEE DWGS.	-	-	-	
FD	FLOOR DRAIN	FLOOR DRAIN SHALL BE EQUAL TO ZURN MODEL #ZS-415 TYPE "S" 5"x5" STRAINER, DEEP SEAL P-TRAP.	SEE DWGS.	-	-	-	PROVIDE TRAP GUARD CONNECTION AS REQUIRED.
FS	FLOOR SINK	FLOOR SINK SHALL BE EQUAL TO ZURN MODEL #Z-1900-2. PROVIDE FLOOR SINK WITH P-TRAP.	SEE DWGS.	-	-	-	PROVIDE TRAP GUARD CONNECTION AS REQUIRED.
RD	ROOF DRAIN	ROOF DRAIN SHALL BE EQUAL TO ZURN MODEL #Z-121.	SEE DWGS.	-	-	-	FIELD VERIFY EXTENSION HEIGHT
ORD	OVERFLOW DRAIN	OVERFLOW DRAIN SHALL BE EQUAL TO ZURN MODEL #Z-121-89.	SEE DWGS.	-	-	-	FIELD VERIFY EXTENSION HEIGHT
DC	DOWNSPOUT COVER	DOWNSPOUT COVER SHALL BE EQUAL TO ZURN MODEL #Z-199	SEE DWGS.	-	-	-	CHROME PLATED
FOO	FLOOR CLEANOUT	FLOOR CLEANOUT SHALL BE EQUAL TO ZURN MODEL #ZS-1400. CLEANOUT.	SEE DWGS.	-	-	-	GAS/WATER TIGHT ABS PLUG
WCO	WALL CLEANOUT	WALL CLEANOUT SHALL BE EQUAL TO ZURN MODEL #ZS-1468, ACCESS COVER AND PLUG.	SEE DWGS.	-	-	-	GAS/WATER TIGHT ABS PLUG
GCO	CLEANOUT TO GRADE	CLEANOUT TO GRADE SHALL BE EQUAL TO ZURN MODEL #ZS-1400. PROVIDE CLEANOUT IN 18"x18"x6" CONCRETE PAD.	SEE DWGS.	-	-	-	GAS/WATER TIGHT ABS PLUG

GAS WATER HEATER SCHEDULE

TAG	DESCRIPTION	GAS BURNER DATA						UNIT TOTAL	RECOVERY GPH TOTAL	FLUE SIZE TYPE	SELECTION BASED ON		REMARKS/OPTIONS
		GAS TYPE		INLET PRESSURE	GALLONS STORAGE	MBH INPUT	RECOVERY GPH/RISE				MANUFACTURER	MODEL NUMBER	
		N	P										
WH-1	RESTAURANT	X		7" WC	100	150	198/90"	1	198	3"-4"PVC	A.O. SMITH	BTH-150	NOTE 1, A,C,D,E

OPTIONS (ALL UNITS)

- CODE APPROVED VACUUM BREAKER, TEMPERATURE/PRESSURE RELIEF VALVE AND INTERGRAL OR FIELD SUPPLIED HEAT TRAPS.
- THERMAL EXPANSION TANK ON CW MAKE-UP. SEE TANK SCHEDULE.
- SERVICE BALL VALVES ON HW/CW MAINS

ADDITIONAL OPTIONS (UNITS AS NOTED)

- A: CONCENTRIC VENT KIT FOR EACH HEATER. INSTALL PER MANUFACTURER'S REQUIREMENTS.
- B: WATER HEATER ASSEMBLIES ARE MANIFOLDED TOGETHER - PROVIDE PIPING MANIFOLDS.
- C: PROVIDE CONDENSATE NEUTRALIZATION KIT ON CONDENSATE DISCHARGE LINE.
- D: WATER HEATERS SUPPLYING KITCHENS SHALL BE N.S.F. APPROVED.
- E: ELECTRONIC IGNITION CONTROLS (120V/1ø/60), COORDINATE WITH E.C
- F: POWERED EXHAUST/ELECTRONIC IGNITION (120V/1ø/60) COORDINATE WITH E.C.

NOTES:

- INSTALL WATER HEATER PER MANUFACTURERS REQUIREMENTS. COORDINATE ALL CONNECTION POINTS IN THE FIELD.

EXPANSION TANK SCHEDULE

TAG	DESCRIPTION	VOLUME (GALLONS)	DIAMETER (INCHES)	HEIGHT (INCHES)	SELECTION BASED ON		REMARKS
					MANUFACTURER	MODEL NUMBER	
ET-1	BLADDER TYPE	4.4	11"	15"	AMTROL	ST-12	NOTE 1

NOTES:

- INSTALL EXPANSION TANK ON IN-COMING COLD WATER PER MANUFACTURERS REQUIREMENTS.

PUMP SCHEDULE

TAG	DESCRIPTION	TYPE	CAPACITY		ELECTRICAL DATA				SELECTION BASED ON		REMARKS/OPTIONS
			GPM	HEAD (FT.)	HP	V	PH	HZ	MANUFACTURER	MODEL NUMBER	
RCP-1	HOT WATER RECIRC. PUMP	IN-LINE	2.5	17	1/12	120	1	60	BELL & GOSSETT	PL-30-B	NOTE 1,2

OPTIONS (ALL RCP UNITS)

- AQUA-STAT & NIGHT TIMER PER SECTION C404.6.1 RECIRCULATION SYSTEMS OF THE IECC.
- FLANGED PUMP
- BALANCING VALVE & CHECK VALVE
- MAINTENANCE BALL VALVES ON BOTH SIDES OF PUMP

ADDITIONAL OPTIONS (UNITS AS NOTED)

- 30"x30"x30" BASIN BY G.C.
- DISCHARGE CHECK VALVE
- DISCHARGE BALL VALVE
-

ADDITIONAL OPTIONS (UNITS AS NOTED)

- A: OIL-MINDER ALARM/CONTROL SYSTEM
- B:
- C:
- D:

NOTES:

- SET AQUA-STAT WITH SET POINT 10 DEGREES BELOW SYSTEM SUPPLY TEMP.
- INSTALL RECIRCULATION PUMP PER MANUFACTURERS REQUIREMENTS.
- INSTALL OIL-MINDER ALARM/CONTROL PANEL ON WALL AT ELEVATOR PER MANUFACTURERS REQUIREMENTS. FIELD VERIFY EXACT LOCATION.

MIXING VALVE SCHEDULE

TAG	DESCRIPTION	MAXIMUM GPM	MINIMUM GPM	PRESSURE LOSS	SELECTION BASED ON		REMARKS/OPTIONS
					MANUFACTURER	MODEL NUMBER	
MV-1	THERMOSTATIC MIXING VALVE	5	0.5	10	WATTS	LFMVM	NOTE 1, A
MV-2	THERMOSTATIC MIXING VALVE	5	0.5	10	WATTS	LFMVM	NOTE 1, B

ADDITIONAL OPTIONS (UNITS AS NOTED)

- LEAD FREE NSF APPROVED
- PROVIDE T'STAT ON TEMPERED LINE

ADDITIONAL OPTIONS (UNITS AS NOTED)

- A: ASSE 1017 APPROVED, SET @ 110° F. 1/2" INLETS/ 1/2" OUTLET, MOUNT BELOW FIXTURE
- B: ASSE 1017 APPROVED, SET @ 120° F. 1/2" INLETS/ 1/2" OUTLET, MOUNT BELOW FIXTURE
- C:

NOTES:

- INSTALL MIXING VALVE PER MANUFACTURERS REQUIREMENTS. PROVIDE ALL PIPING AND VALVES PER O&M MANUAL.

BACKFLOW PREVENTER SCHEDULE

TAG	DESCRIPTION	TYPE	CAPACITY		LENGTH (INCHES)	WIDTH (INCHES)	SELECTION BASED ON		REMARKS/OPTIONS
			GPM	LOSS (PSI)			MANUFACTURER	MODEL NUMBER	
BF-1	1.5" DOMESTIC BACKFLOW	REDUCED PRESSURE	48	15	23"	7.5"	WATTS	LF-009QT	NOTE 1, A

ADDITIONAL OPTIONS (UNITS AS NOTED)

- STRAINER ON IN-COMING WATER SIDE
- ASSE APPROVED

ADDITIONAL OPTIONS (UNITS AS NOTED)

- A: LEAD FREE, NSF APPROVED.
- B: UL/FM APPROVED. TAMPER AND FLOW SWITCHES, O,S&Y VALVES

NOTES:

- INSTALL BACKFLOW ASSEMBLY PER MANUFACTURERS REQUIREMENTS.

INTERCEPTOR SCHEDULE

TAG	DESCRIPTION	INLET/OUTLET SIZE (INCHES)	FLOW RATE (GPM)	CAPACITY				SELECTION BASED ON		REMARKS/OPTIONS
				WATER (GAL)	GREASE (LBS)	SOLIDS (GAL)	OIL (GAL)	MANUFACTURER	MODEL NUMBER	
GI-1	GREASE INTERCEPTOR	4	200	2,000	8,092	500	-	SCHIER	GGI-2000	NOTE 1,2,3 B

ADDITIONAL OPTIONS (UNITS AS NOTED)

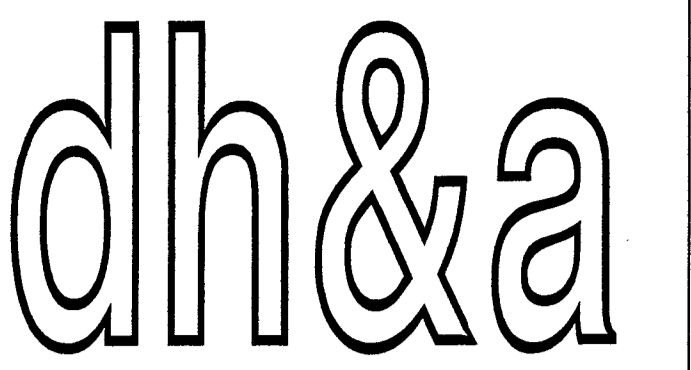
- DISCHARGE BACKWATER VALVE IN SEPARATE VALVE BOX
-

ADDITIONAL OPTIONS (UNITS AS NOTED)

- A: NEMA 4X ALARM PANEL, SEE NOTE #2, SINGLE POINT ELECTRICAL CONNECTION
- B: PROVIDE H-20 TRAFFIC RATED RELIEVING SLAB PER MANUFACTURERS REQUIREMENTS.
- C: PROVIDE EXTERNAL, VENTED FLOW CONTROL @ SCHEDULED FLOW RATE.
- D: MOUNT ON FLOOR, TERMINATE WASTE LINE TO FLOOR SINK W/ AIR GAP.

NOTES:

- INSTALL INTERCEPTOR PER MANUFACTURERS & AHJ REQUIREMENTS. COORDINATE ALL CONNECTION POINTS IN THE FIELD.
- PROVIDE AHJ APPROVED INSPECTION PORT.
- GREASE INTERCEPTOR SHALL BE APPROVED BY AHJ PRIOR TO ORDERING OR ROUGH-IN.



1208 CURTIS STREET
 MONROE, NORTH CAROLINA
 28112, TELE: 704-283-2908
 FAX: 704-241-7909
 cha.architects@frontier.com

CONSULTANTS



P-1817
 1001 LANCASTER AVE.
 MONROE, NC 28112
 704-282-0826

12/20/22

RESTAURANT
 AT CARAMBA I

650 WEST ROOSEVELT BLVD.
 MONROE, NC 28110

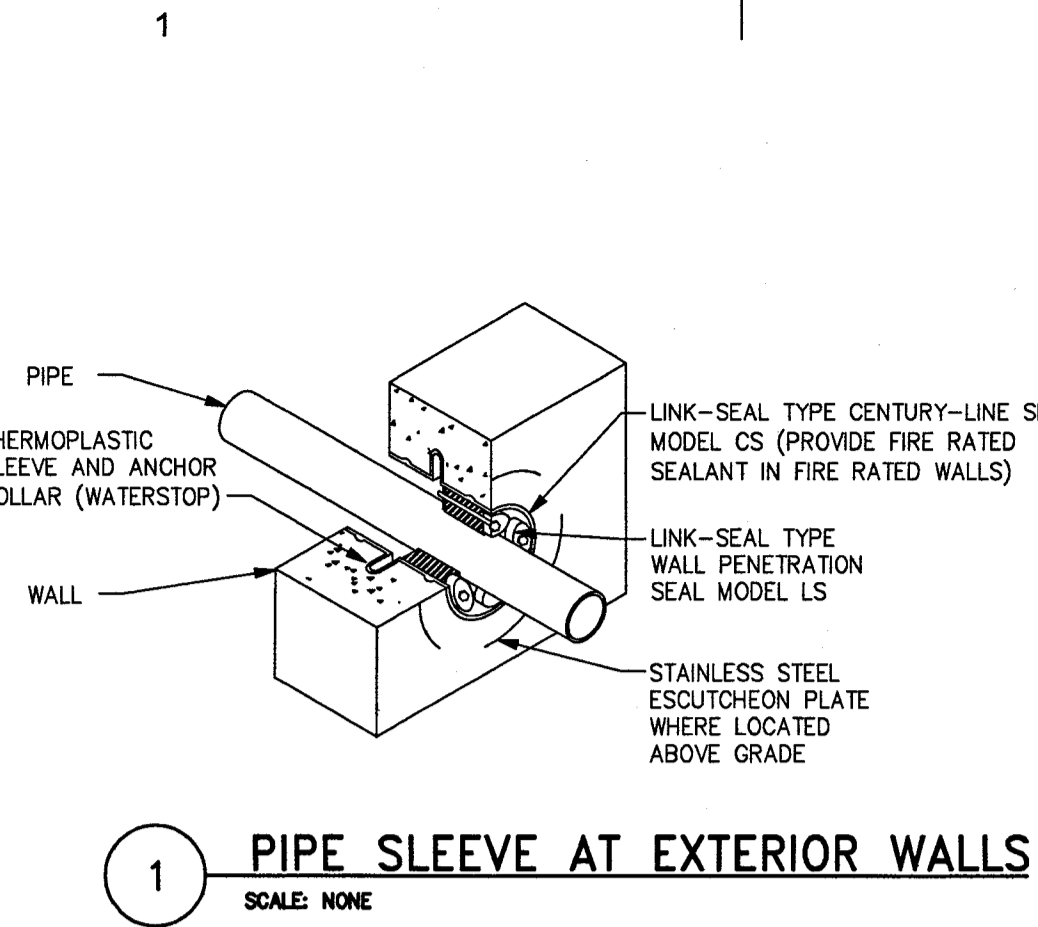
MARK	DATE	DESCRIPTION
△	12/20/22	PLAN REVIEW COMMENTS

ISSUE: 08/29/2022
 PROJECT NO: 22159
 CAD DWG FILE: SEE DRAWINGS
 DRAWN BY: MMS
 CHECKED BY: MMS

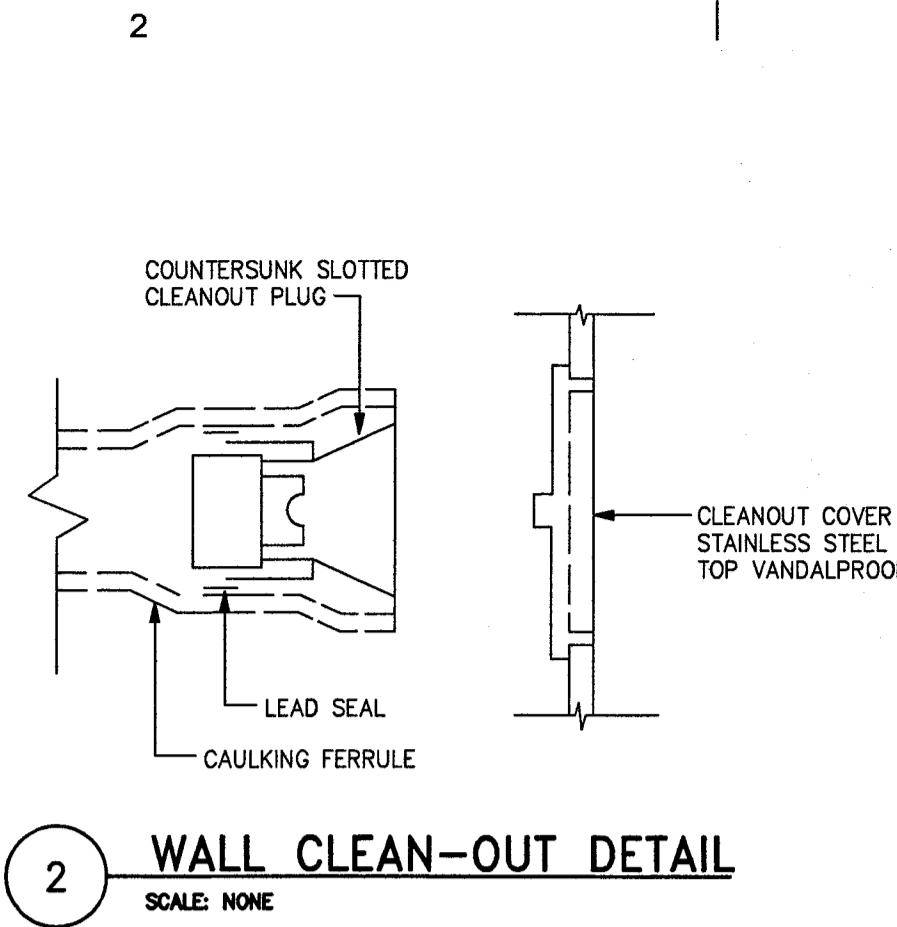
SHEET TITLE

PLUMBING SCHEDULES

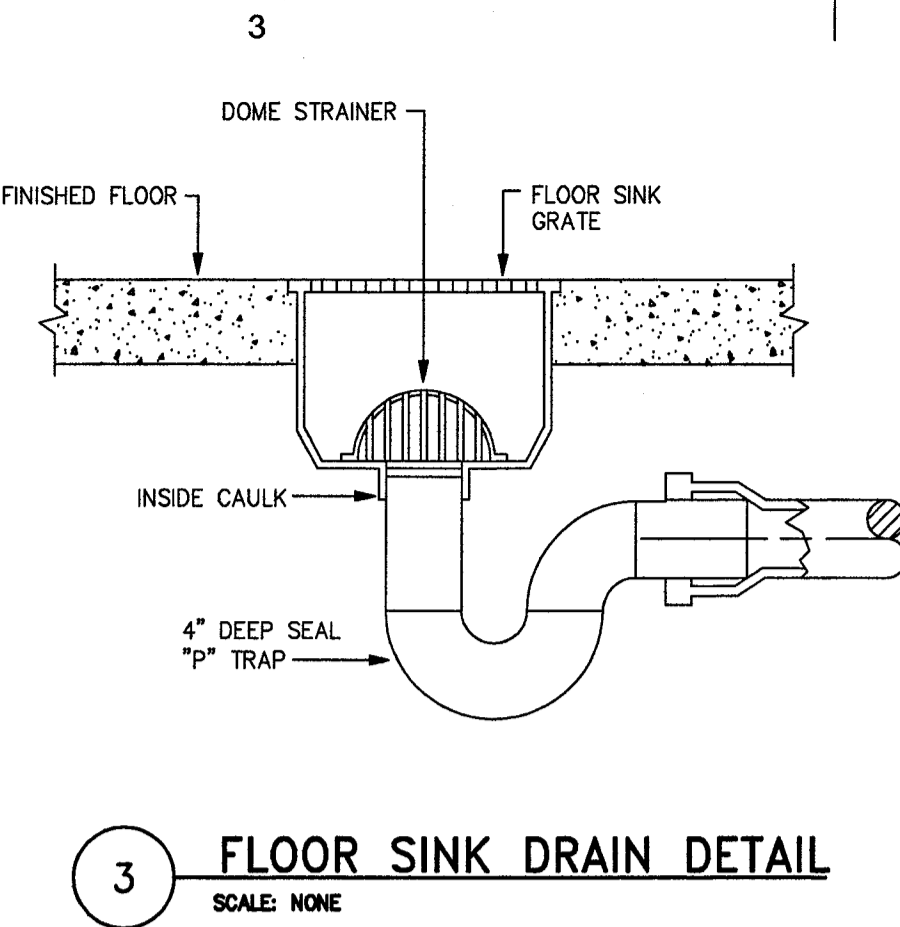
P0.2



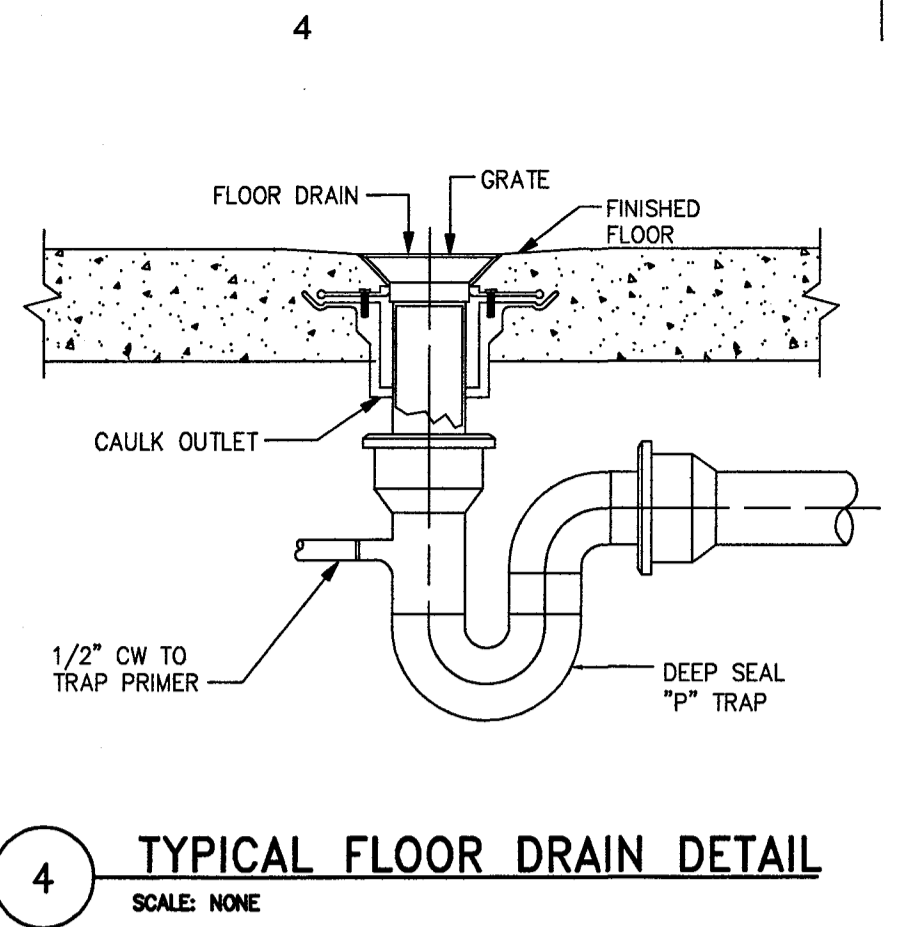
1 PIPE SLEEVE AT EXTERIOR WALLS
 SCALE: NONE



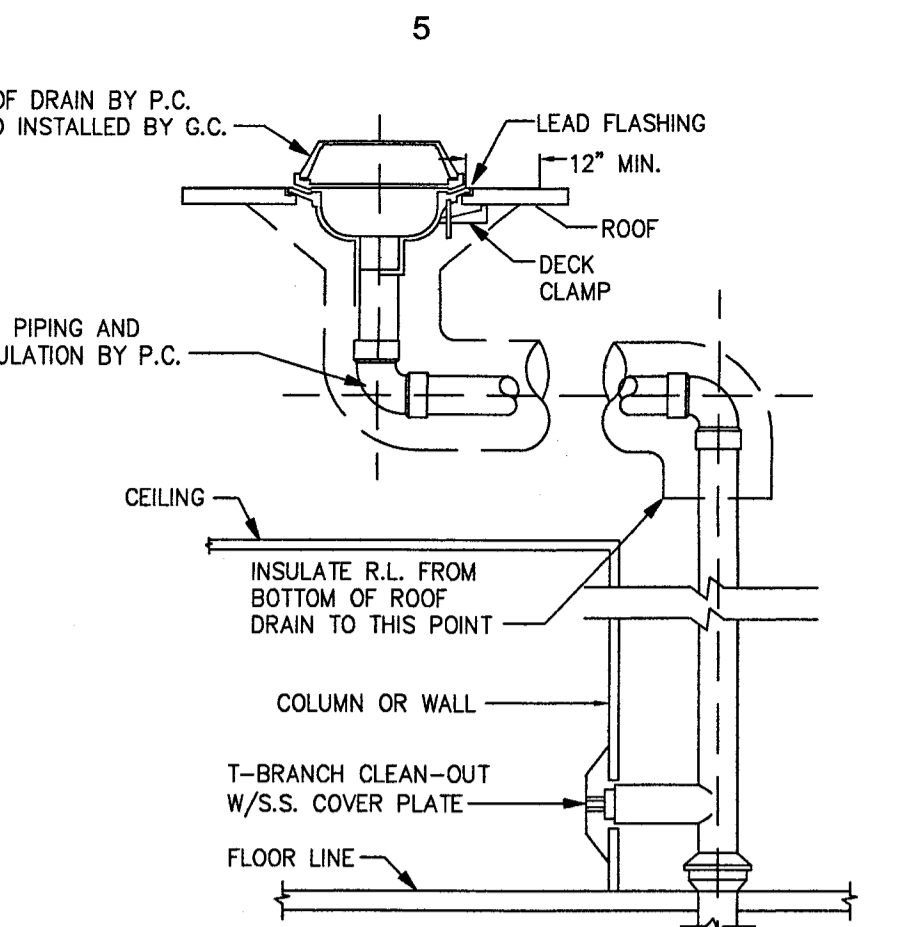
2 WALL CLEAN-OUT DETAIL
 SCALE: NONE



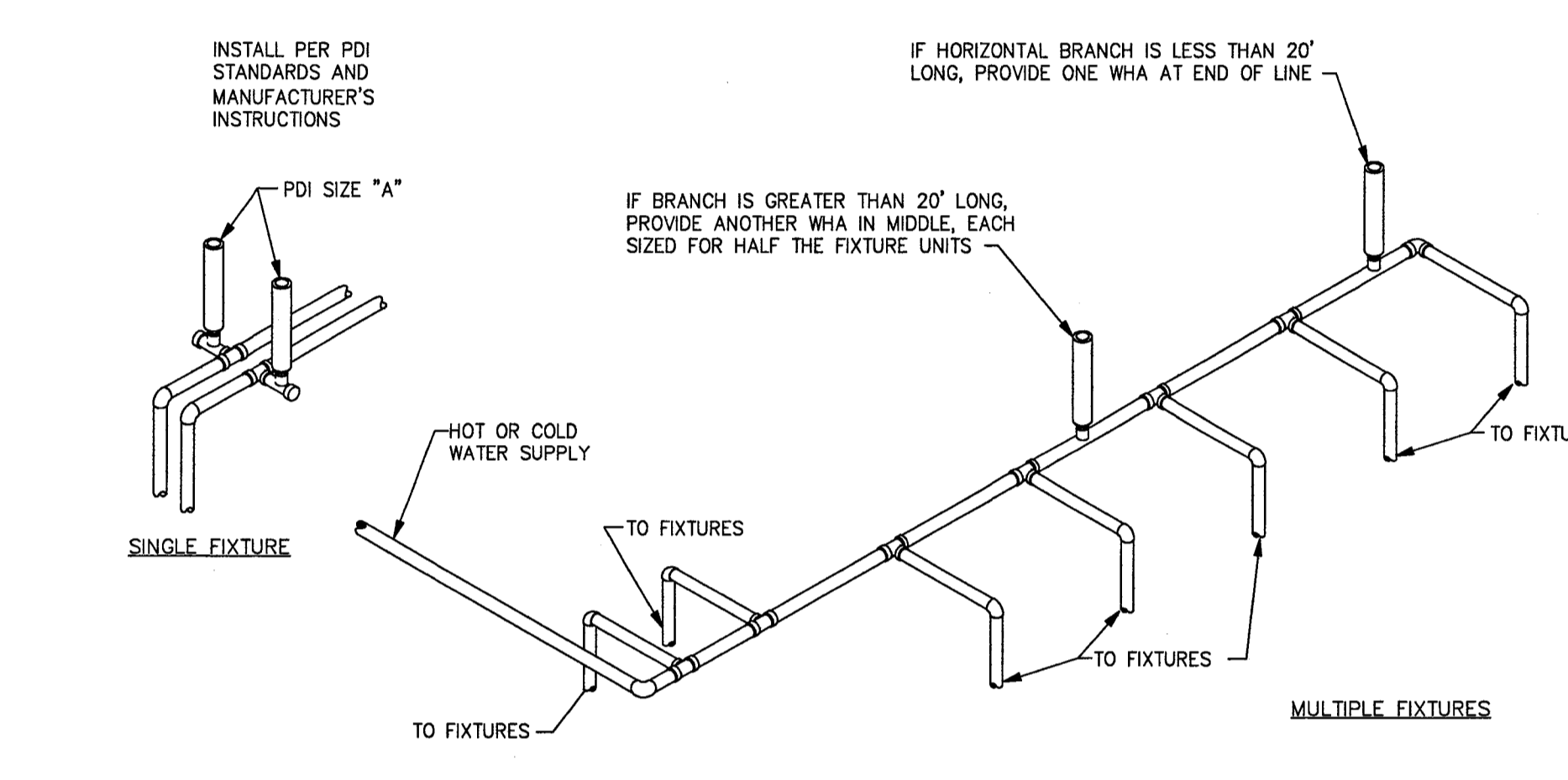
3 FLOOR SINK DRAIN DETAIL
 SCALE: NONE



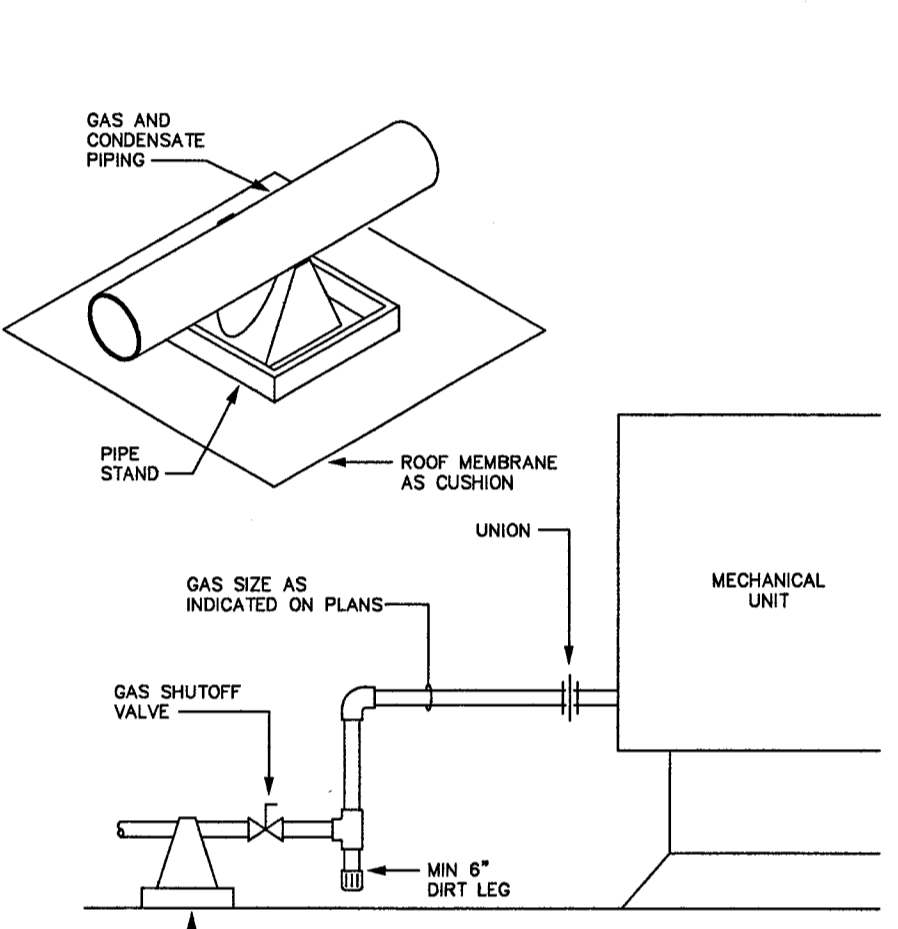
4 TYPICAL FLOOR DRAIN DETAIL
 SCALE: NONE



5 ROOF DRAIN DETAIL
 SCALE: NONE



6 WATER HAMMER ARRESTORS
 SCALE: NONE



7 GAS AND CONDENSATE PIPE SUPPORT DETAIL
 SCALE: NONE

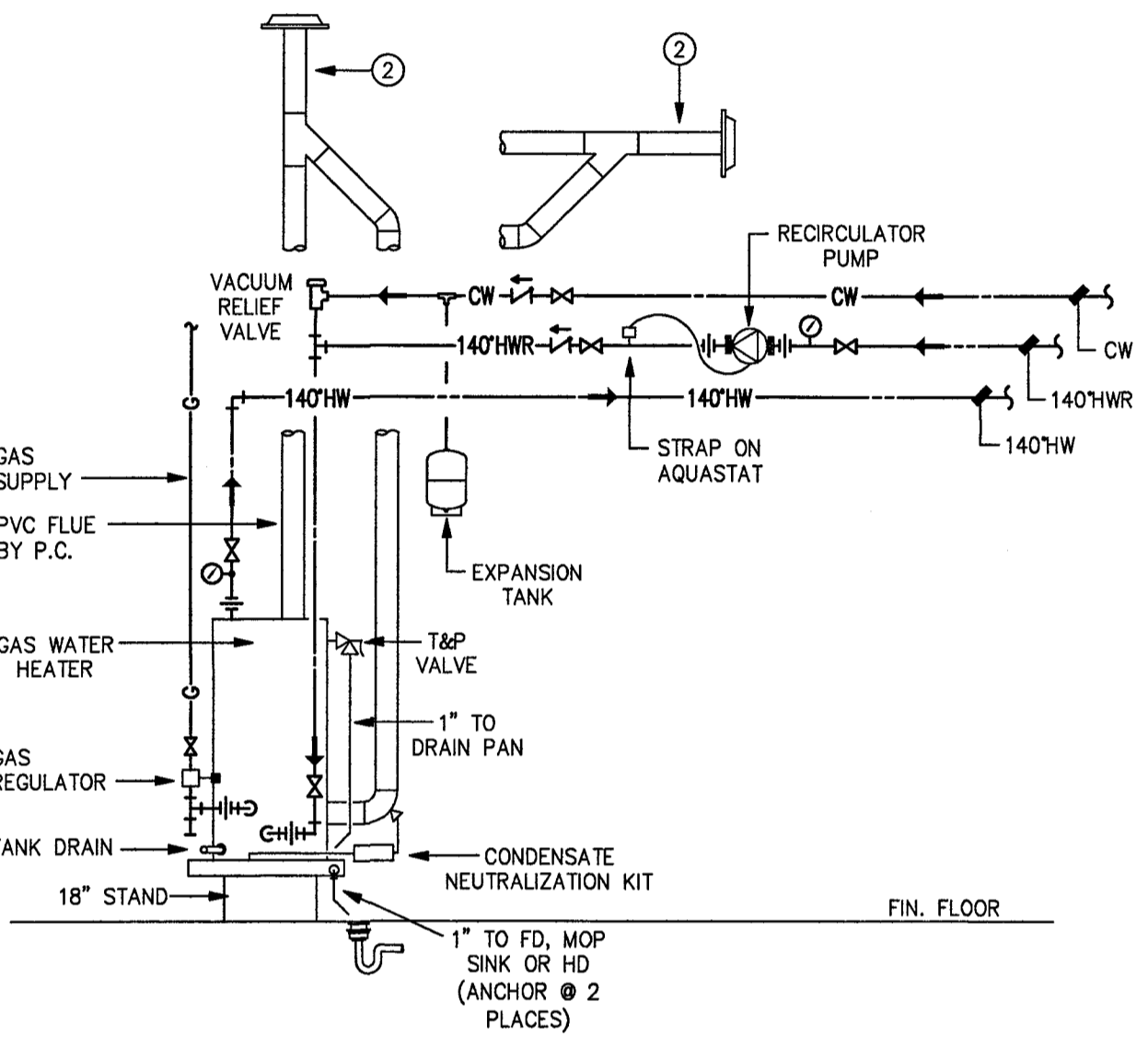
1. PIPING SHALL BE SUPPORTED AT ALL ELBOWS AND TEES AND AT SPACING SPECIFIED IN THE TABLE BELOW. PIPING SHALL BE SLOPED AND ROUTED TO PREVENT TRAPPING CONDENSATE (EXCEPT AT DIRT LEGS) AND TO FACILITATE CONDENSATE DRAINAGE.

2. GAS PIPING AND PENETRATIONS THRU ROOF SHALL BE CALLED FOR IN SPEC. SECTION 15 OR AS REQUIRED BY LOCAL CODES.

3. PIPE STAND SHALL BE MIRO, IND. OR EQUAL "PILLOWBLOCK" MODEL 1.5 (UP TO 1 1/2"), 3-R (UP TO 3"), AND 4-R & 4-RAH FOR 4", 6-RAH (5 TO 6").

4. DO NOT ATTACH PIPE STANDS TO ROOF.

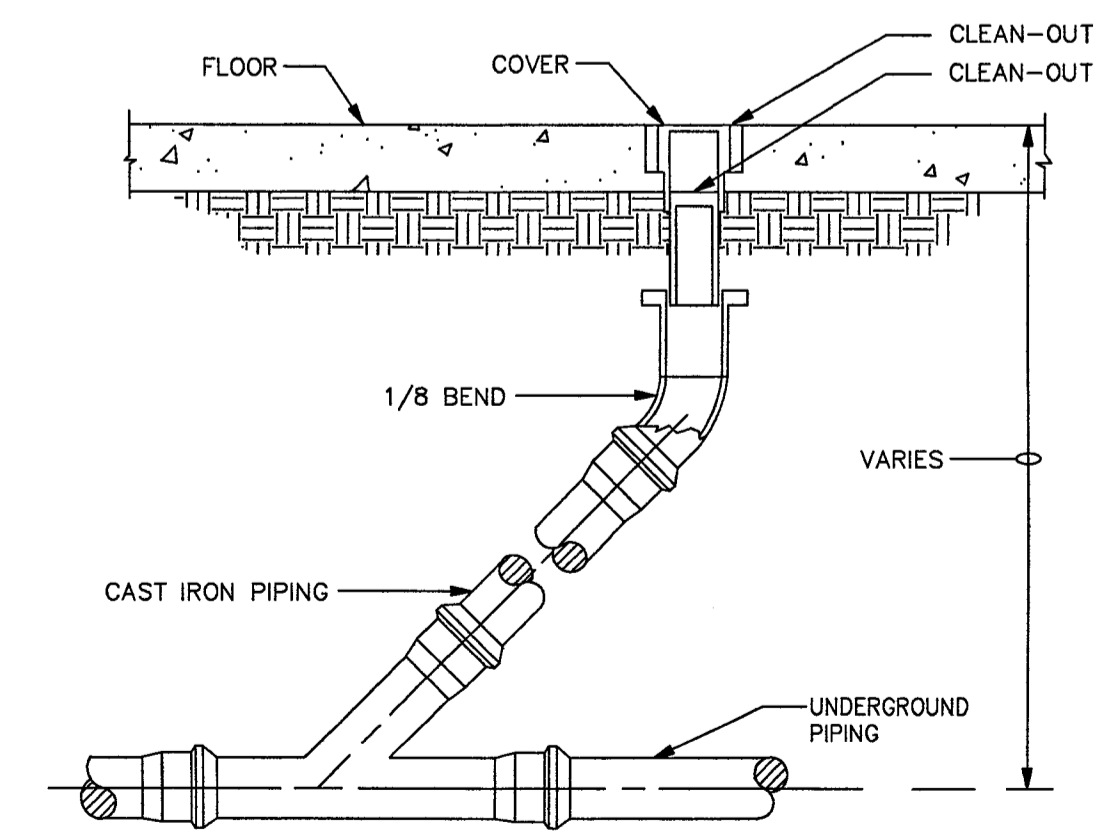
PIPE SIZE	MODEL NO.	MAX. SPACING
3/4"	1.5	6'
1"	1.5	7'
1 1/4"	1.5	8'
1 1/2"	1.5	10'
2"	3-R	10'
2 1/2"	3-R	15'
3"	3-R	13'
4"	4-R, 4-RAH	9'
5"	6-RAH	13'
6"	6-RAH	10'



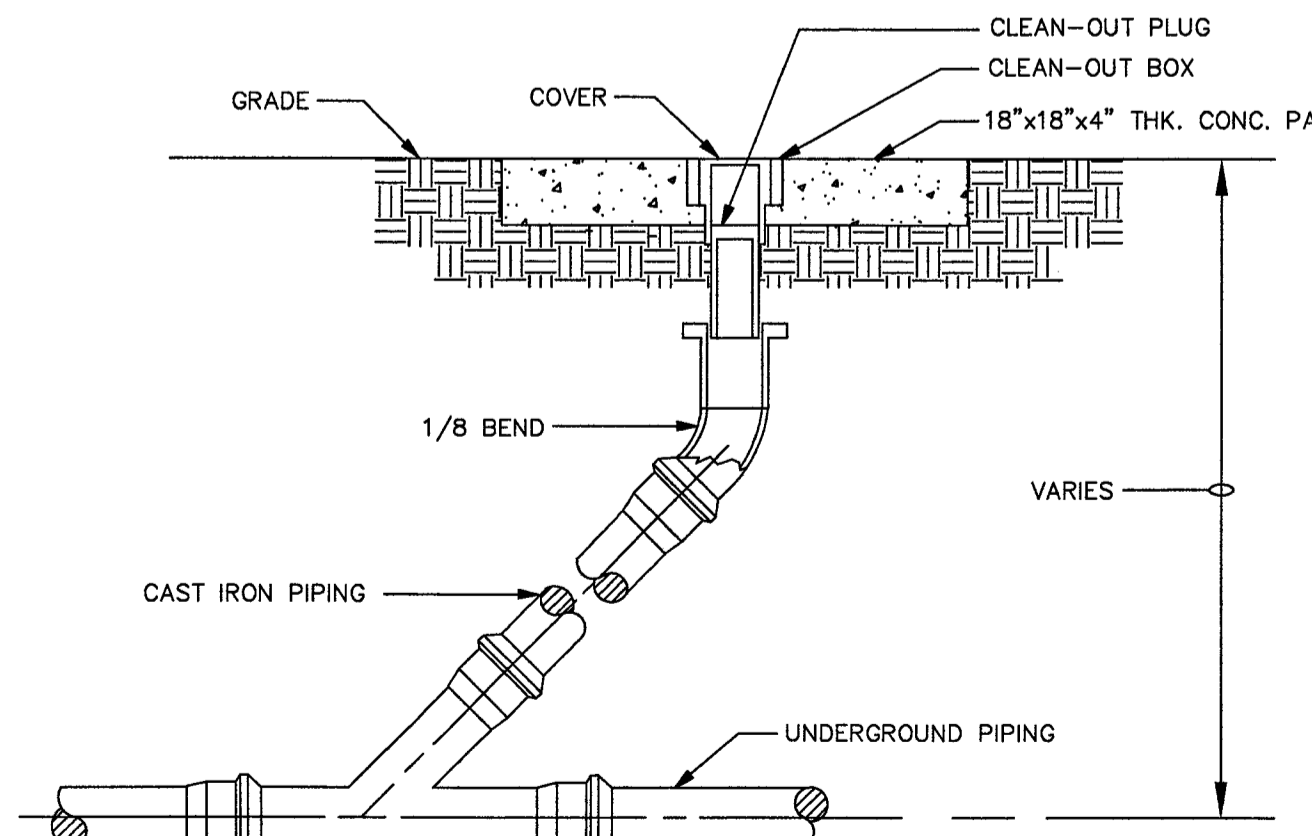
8 GAS WATER HEATER
 SCALE: NONE

NOTES:
 1. DRAWINGS FOR SCHEMATIC PURPOSES ONLY. ALL VALVES & EQUIPMENT MUST BE INSTALLED PER MANUFACTURER'S INSTRUCTIONS.
 2. SEE PLANS FOR CONCENTRIC VENT LOCATION.

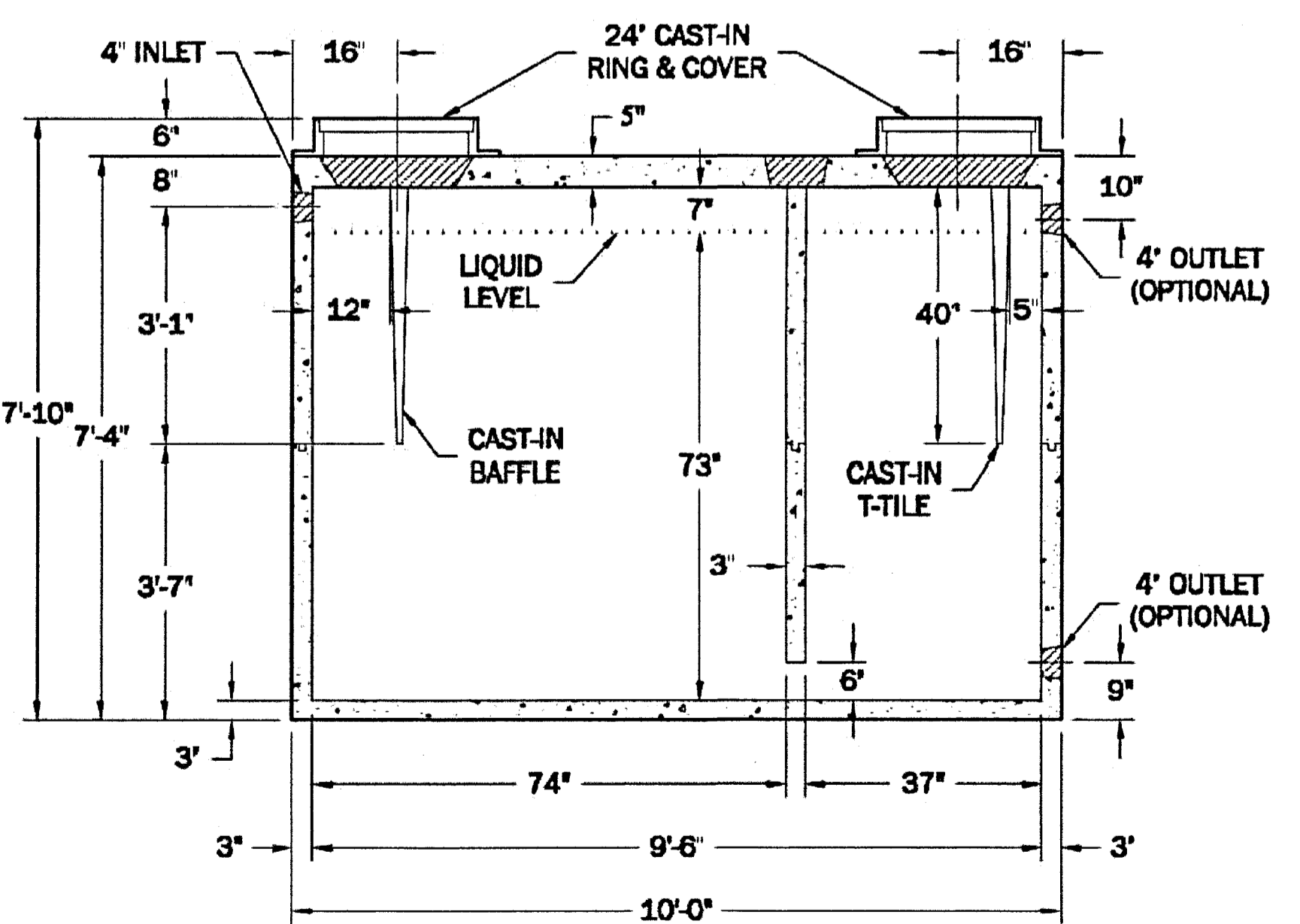
PLUMBING CONTRACTOR SHALL PROVIDE WATER HAMMER ARRESTERS BY SIOUX CHIEF, PRECISION PLUMBING PRODUCTS, WATTS OR APPROVED EQUIVALENT WITH PISTON AND O-RING CONSTRUCTION, HAVING PDI #WH-201, ASSE #1010 AND ANSI #A112.26.1M CERTIFICATION. INSTALL IN HORIZONTAL OR VERTICAL POSITION, BUT NEVER UPSIDE DOWN. INSTALL IN LINE WITH WATER FLOW DIRECTION IF POSSIBLE. SIZE THE UNITS AS SHOWN ON THE DRAWINGS AND/OR PER THE TABLES SHOWN ABOVE.



9 FLOOR CLEAN-OUT DETAIL
 SCALE: NONE



10 GRADE CLEAN-OUT DETAIL
 SCALE: NONE



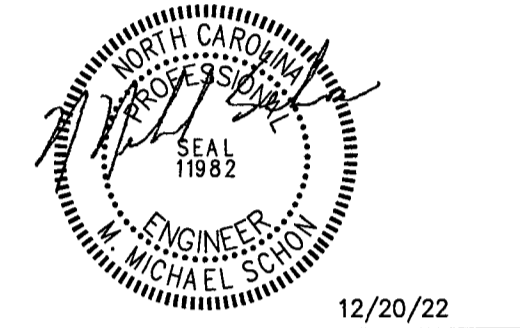
11 2000 GALLON GREASE INTERCEPTOR
 SCALE: NONE

NOTES:
 1. GREASE INTERCEPTOR SHALL MEET THE REQUIREMENTS OF THE UNION COUNTY/MONROE CITY REQUIREMENTS, FIELD VERIFY EXACT REQUIREMENTS WITH THE LOCAL A.H.J.

dh&a
 ARCHITECTURE, PA
 1208 CURTIS STREET
 MONROE, NORTH CAROLINA
 28112, TELE: 704-283-2908
 FAX: 704-291-7909
 cha.architects@frontier.com

CONSULTANTS

WOLF TRAIL™
 ENGINEERING
 P-1817
 1001 LANCASTER AVE.
 MONROE, NC 28112
 704-282-0826



RESTAURANT
AY CARAMBA I
 650 WEST ROOSEVELT BLVD.
 MONROE, NC 28110

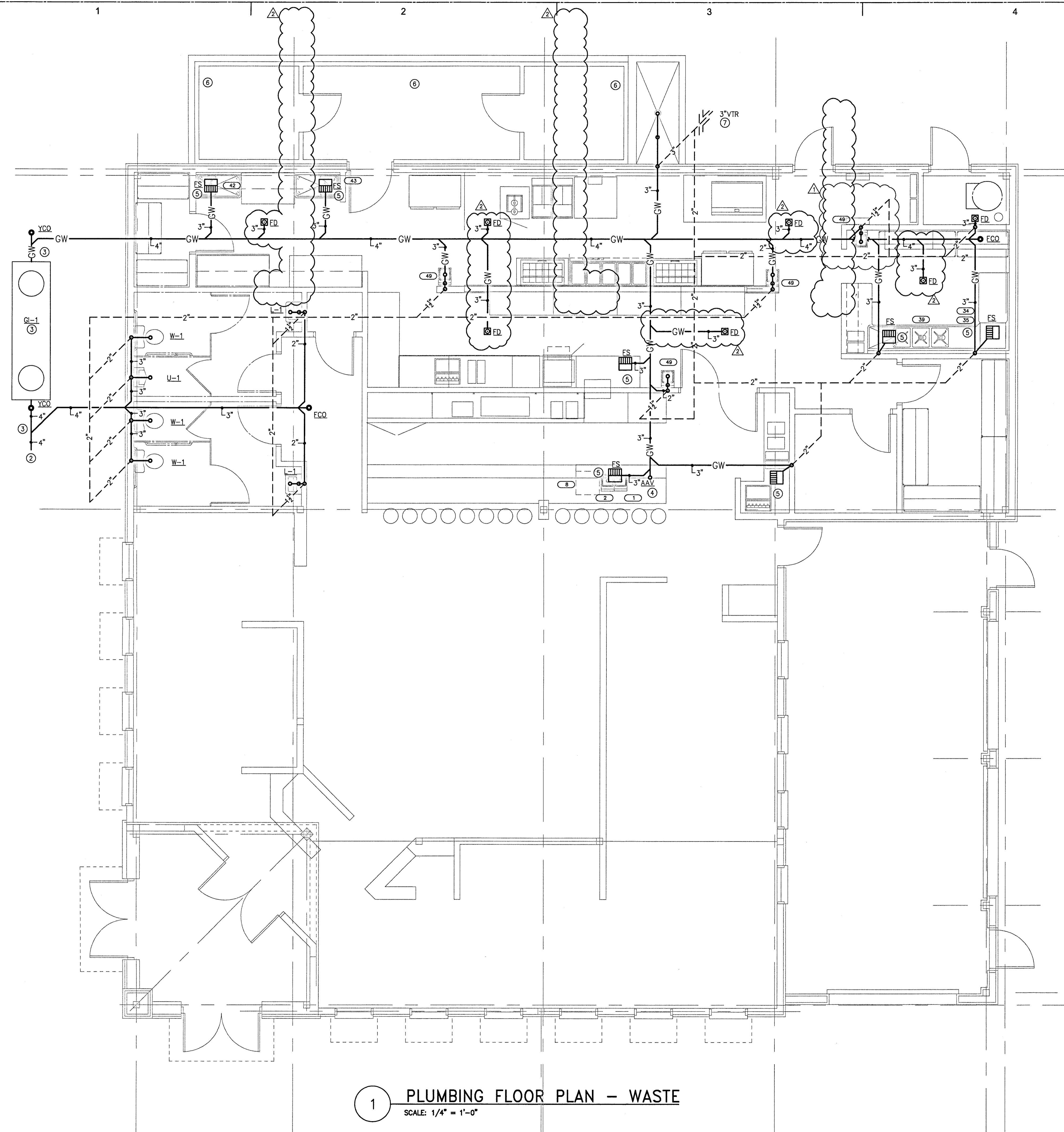
MARK	DATE	DESCRIPTION

SHEET TITLE

PLUMBING DETAILS

P0.3

Reviewed for Code Compliance
 City of Monroe Building Standards
 This property owner is responsible for compliance
 with all applicable Local, State and Federal Laws.
 This authorization does not constitute a warranty
 by the City, State or Federal Laws.
 Plans Exempt Date: 04/02/2022



- NOTES THIS SHEET**
- ① SEE SHEETS P0.1-P0.3 FOR SCHEDULES, DETAILS AND SPECIFICATIONS.
 - ② TIE NEW 4" SANITARY SEWER INTO TAP PROVIDED BY CIVIL SITE CONTRACTOR. FIELD VERIFY EXACT LOCATION, INVERT, SIZE AND FLOW DIRECTION. ADJUST NEW SANITARY SEWER PIPING AS REQUIRED TO MEET EXISTING INVERTS WHILE MAINTAINING CODE REQUIRED PIPE SLOPES.
 - ③ NEW 2,000 GALLON GREASE INTERCEPTOR. ROUTE GREASE WASTE FROM BUILDING THRU THE GREASE INTERCEPTOR. INTERCEPTOR SHALL MEET THE REQUIREMENTS OF THE LOCAL AUTHORITY HAVING JURISDICTION. PROVIDE YARD CLEANOUTS ON BOTH THE INLET AND DISCHARGE SIDE OF THE INTERCEPTOR. PROVIDE AHJ APPROVED INSPECTION PORT. TIE 4" DISCHARGE INTO THE 4" WASTE FROM THE RESTROOM GROUP. FIELD VERIFY EXACT LOCATION, SIZE, INVERT AND FLOW DIRECTION.
 - ④ PROVIDE AIR ADMITTANCE VALVE, AT DUMP SINK AT BAR WITH DIRECT CONNECTION TO GREASE WASTE, KITCHEN ITEM 2.
 - ⑤ INDIRECT WASTE CONNECTION FROM KITCHEN EQUIPMENT, TIE TO FLOOR SINK WITH A MINIMUM OF 2" AIR SPACE SEE KITCHEN EQUIPMENT SCHEDULE, SHEET -01, FOR SIZES.
 - ⑥ ROUTE CONDENSATE DRAIN FROM EVAPORATOR COILS IN WALK-IN COOLER AND FREEZER TO EXTERIOR WALL AND TURN DOWN ON EXTERIOR SIDE OF WALL AND TERMINATE 8" ABOVE GRADE WITH A CONCRETE SPLASH PAD UNDER THE TERMINATION. FIELD VERIFY EXACT LOCATION.
 - ⑦ CODE REQUIRED 3" VENT THRU ROOF. 3" SHOULD BE CARRIED TO CAN WASH FULL SIZE TO CONNECTION.
 - ⑧ NOT USED.

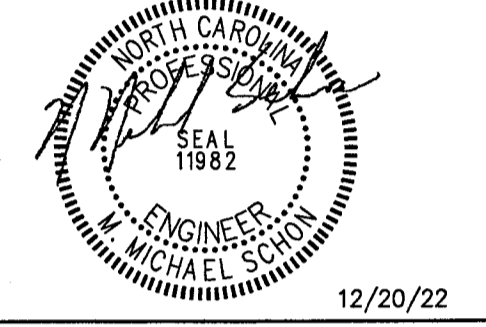
1 PLUMBING FLOOR PLAN - WASTE
 SCALE: 1/4" = 1'-0"

dh&a
 ARCHITECTURE, PA

1208 CURTIS STREET
 MONROE, NORTH CAROLINA
 28112, TELE: 704-283-2908
 FAX: 704-241-7909
 cha.architects@frontier.com

CONSULTANTS

WOLF TRAIL™
 ENGINEERING
 P-1817
 1001 LANCASTER AVE.
 MONROE, NC 28112
 704-282-0826



12/20/22
**RESTAURANT
 AY CARAMBA I**

650 WEST ROOSEVELT BLVD.
 MONROE, NC 28110

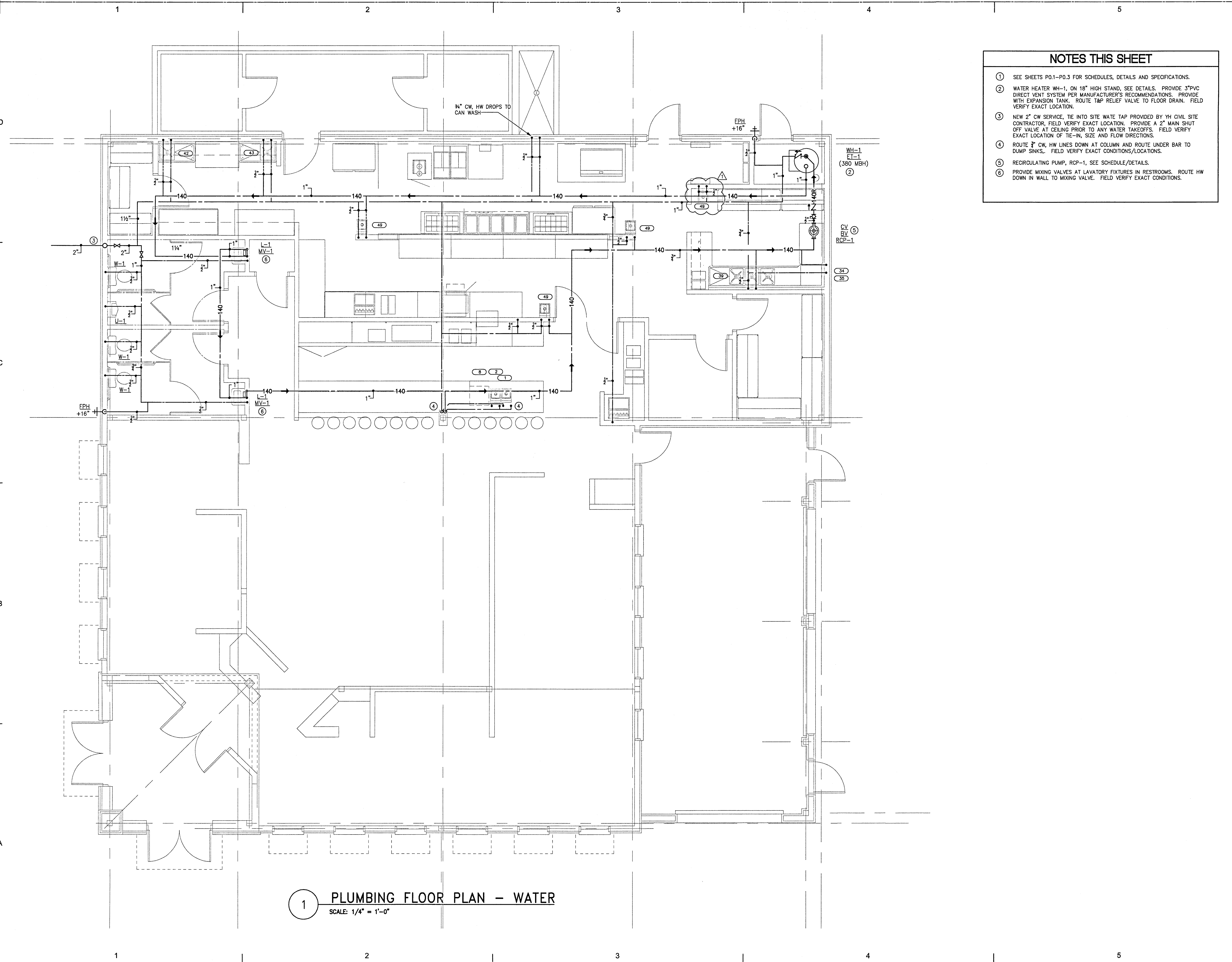
MARK	DATE	DESCRIPTION
△	12/20/22	OWNER VE CHANGES
△	12/20/22	PLAN REVIEW COMMENTS

ISSUE: 08/29/2022
 PROJECT NO: 22159
 CAD DWG FILE: SEE DRAWINGS
 DRAWN BY: MMS
 CHECKED BY: MMS

SHEET TITLE
**PLUMBING
 FLOOR PLAN -
 WASTE**

P1.1

Reviewed for Code Compliance
 City of Monroe Building Standards
 This property owner is responsible for compliance
 with all applicable Local, State and Federal laws.
 This authorization does not constitute a warranty of any
 kind, State or Federal Law.
 Plans Exempt: Date: 04/02/2023



- NOTES THIS SHEET**
- ① SEE SHEETS P0.1-P0.3 FOR SCHEDULES, DETAILS AND SPECIFICATIONS.
 - ② WATER HEATER WH-1, ON 18" HIGH STAND, SEE DETAILS. PROVIDE 3" PVC DIRECT VENT SYSTEM PER MANUFACTURER'S RECOMMENDATIONS. PROVIDE WITH EXPANSION TANK. ROUTE T&P RELIEF VALVE TO FLOOR DRAIN. FIELD VERIFY EXACT LOCATION.
 - ③ NEW 2" CW SERVICE, TIE INTO SITE WATE TAP PROVIDED BY YH CIVIL SITE CONTRACTOR. FIELD VERIFY EXACT LOCATION. PROVIDE A 2" MAIN SHUT OFF VALVE AT CEILING PRIOR TO ANY WATER TAKEOFFS. FIELD VERIFY EXACT LOCATION OF TIE-IN, SIZE AND FLOW DIRECTIONS.
 - ④ ROUTE 3/4" CW, HW LINES DOWN AT COLUMN AND ROUTE UNDER BAR TO DUMP SINKS. FIELD VERIFY EXACT CONDITIONS/LOCATIONS.
 - ⑤ RECIRCULATING PUMP, RCP-1, SEE SCHEDULE/DETAILS.
 - ⑥ PROVIDE MIXING VALVES AT LAVATORY FIXTURES IN RESTROOMS. ROUTE HW DOWN IN WALL TO MIXING VALVE. FIELD VERIFY EXACT CONDITIONS.

1 PLUMBING FLOOR PLAN - WATER
 SCALE: 1/4" = 1'-0"

dh&a

ARCHITECTURE, PA

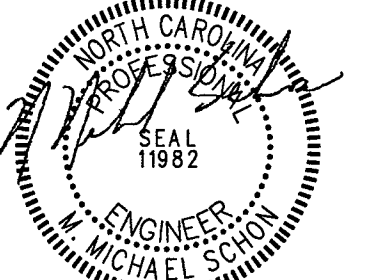
1208 CURTIS STREET
 MONROE, NORTH CAROLINA
 28112, TELE: 704-283-2908
 FAX: 704-291-7909
 cha.architects@frontier.com

CONSULTANTS



WOLF TRAIL
 ENGINEERING

P-1817
 1001 LANCASTER AVE.
 MONROE, NC 28112
 704-282-0826



12/20/22

RESTAURANT
 AY CARAMBA I

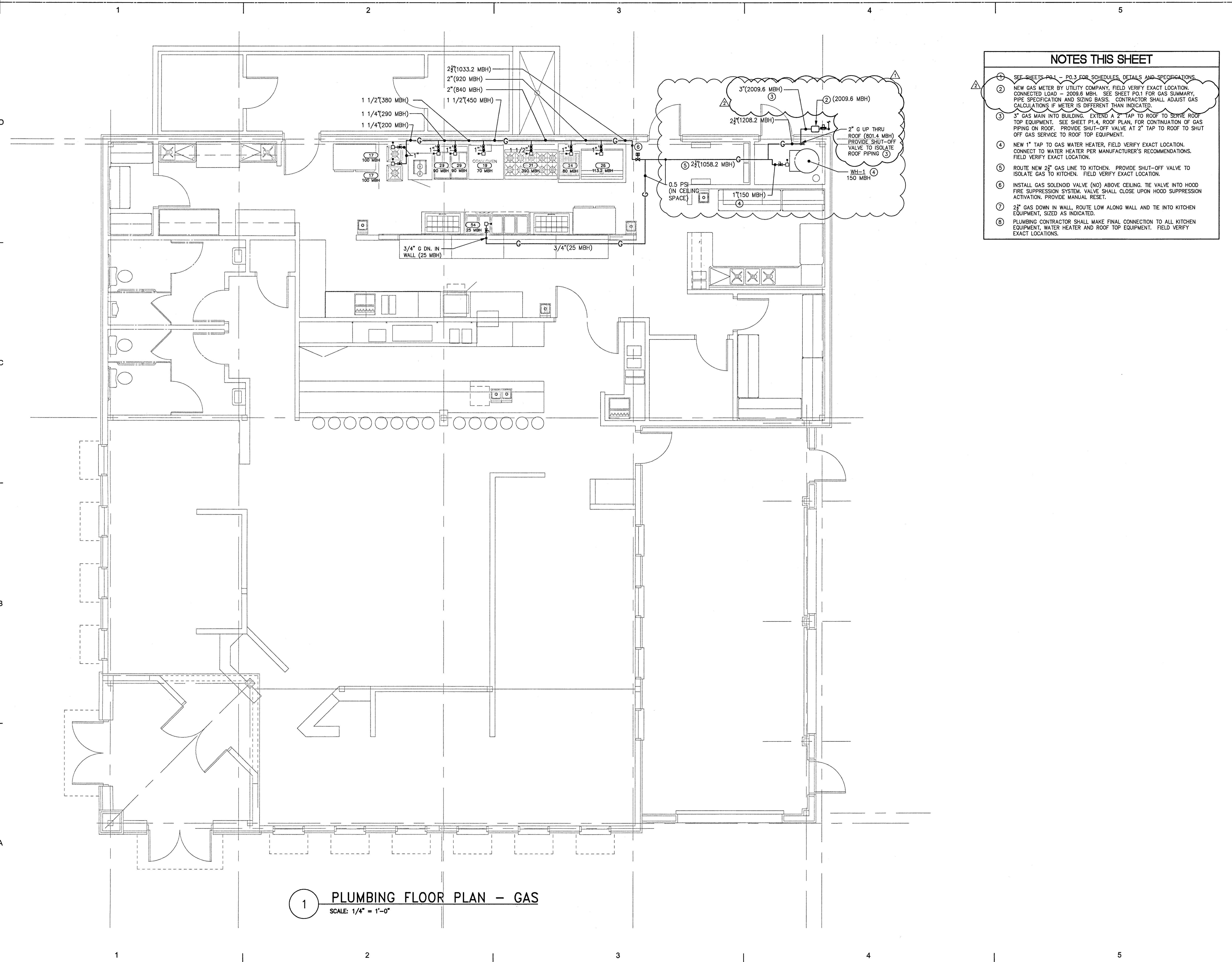
650 WEST ROOSEVELT BLVD.
 MONROE, NC 28110

MARK	DATE	DESCRIPTION
△	12/20/22	PLAN REVIEW COMMENTS
ISSUE: 08/29/2022		
PROJECT NO: 22159		
CAD DWG FILE: SEE DRAWINGS		
DRAWN BY: MMS		
CHECKED BY: MMS		

SHEET TITLE
**PLUMBING
 FLOOR PLAN -
 WATER**

P1.2

Reviewed for Code Compliance
 City of Monroe Building Standards
 This project owner is responsible for compliance
 with all applicable Local, State and Federal Laws.
 This professional does not provide a guarantee of any
 kind.
 Plans Exempt Date: 04/02/2022



- NOTES THIS SHEET**
- ① SEE SHEETS P0.1 - P0.3 FOR SCHEDULES, DETAILS AND SPECIFICATIONS.
 - ② NEW GAS METER BY UTILITY COMPANY, FIELD VERIFY EXACT LOCATION. CONNECTED LOAD - 2009.6 MBH. SEE SHEET P0.1 FOR GAS SUMMARY, PIPE SPECIFICATION AND SIZING BASIS. CONTRACTOR SHALL ADJUST GAS CALCULATIONS IF METER IS DIFFERENT THAN INDICATED.
 - ③ 3" GAS MAIN INTO BUILDING. EXTEND A 2" TAP TO ROOF TO SERVE ROOF TOP EQUIPMENT. SEE SHEET P1.4, ROOF PLAN, FOR CONTINUATION OF GAS PIPING ON ROOF. PROVIDE SHUT-OFF VALVE AT 2" TAP TO ROOF TO SHUT OFF GAS SERVICE TO ROOF TOP EQUIPMENT.
 - ④ NEW 1" TAP TO GAS WATER HEATER, FIELD VERIFY EXACT LOCATION. CONNECT TO WATER HEATER PER MANUFACTURER'S RECOMMENDATIONS. FIELD VERIFY EXACT LOCATION.
 - ⑤ ROUTE NEW 2 1/2" GAS LINE TO KITCHEN. PROVIDE SHUT-OFF VALVE TO ISOLATE GAS TO KITCHEN. FIELD VERIFY EXACT LOCATION.
 - ⑥ INSTALL GAS SOLENOID VALVE (NO) ABOVE CEILING. TIE VALVE INTO HOOD FIRE SUPPRESSION SYSTEM. VALVE SHALL CLOSE UPON HOOD SUPPRESSION ACTIVATION. PROVIDE MANUAL RESET.
 - ⑦ 2 1/2" GAS DOWN IN WALL, ROUTE LOW ALONG WALL AND TIE INTO KITCHEN EQUIPMENT, SIZED AS INDICATED.
 - ⑧ PLUMBING CONTRACTOR SHALL MAKE FINAL CONNECTION TO ALL KITCHEN EQUIPMENT, WATER HEATER AND ROOF TOP EQUIPMENT. FIELD VERIFY EXACT LOCATIONS.

1 PLUMBING FLOOR PLAN - GAS
 SCALE: 1/4" = 1'-0"

dh&a

ARCHITECTURE, PA

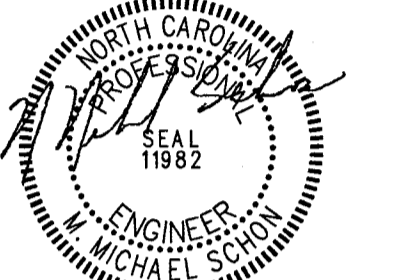
1208 CURTIS STREET
 MONROE, NORTH CAROLINA
 28112, TELE: 704-283-2908
 FAX: 704-241-7909
 cha.architects@frontier.com

CONSULTANTS



WOLF TRAIL
 ENGINEERING

P-1817
 1001 LANCASTER AVE.
 MONROE, NC 28112
 704-282-0826



12/20/22

**RESTAURANT
 AT CARAMBA I**

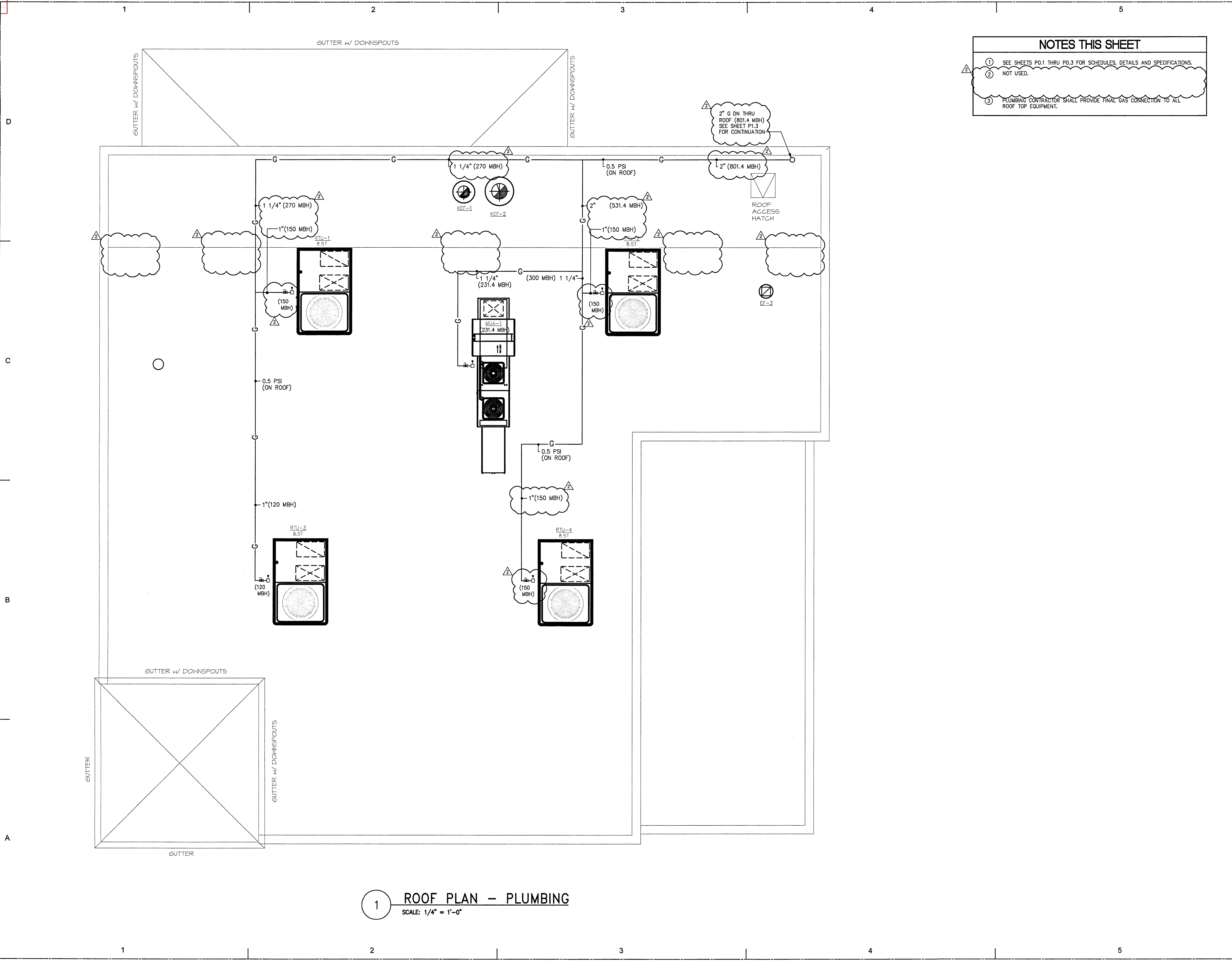
650 WEST ROOSEVELT BLVD.
 MONROE, NC 28110

△	12/20/22	OWNER VE CHANGES
△	12/20/22	PLAN REVIEW COMMENTS
MARK	DATE	DESCRIPTION
ISSUE: 08/29/2022		
PROJECT NO: 22159		
CAD DWG FILE: SEE DRAWINGS		
DRAWN BY: MMS		
CHECKED BY: MMS		

SHEET TITLE
**PLUMBING
 FLOOR PLAN -
 GAS**

P1.3

Reviewed for Code Compliance
 City of Monroe Building Standards
 This project owner is responsible for compliance
 with all applicable Local, State and Federal Laws.
 This authorization does not constitute a warranty of any
 kind, nor does it constitute an endorsement of any
 City, State or Federal Law.
 Plans Exempt Date: 04/02/2023



NOTES THIS SHEET

1 SEE SHEETS P0.1 THRU P0.3 FOR SCHEDULES, DETAILS AND SPECIFICATIONS.
 2 NOT USED.
 3 PLUMBING CONTRACTOR SHALL PROVIDE FINAL GAS CONNECTION TO ALL ROOF TOP EQUIPMENT.

dh&a
 ARCHITECTURE, PA
 1208 CURTIS STREET
 MONROE, NORTH CAROLINA
 28112, TELE: 704-283-2908
 FAX: 704-291-7909
 cha.architects@frontier.com

CONSULTANTS

WOLF TRAIL™
 ENGINEERING
 P-1817
 1001 LANCASTER AVE.
 MONROE, NC 28112
 704-282-0826

Michael Schorn
 NORTH CAROLINA PROFESSIONAL ENGINEER
 SEAL 1982
 ENGINEER MICHAEL SCHORN
 12/20/22

**RESTAURANT
 AT CARAMBA I**

650 WEST ROOSEVELT BLVD.
 MONROE, NC 28110

MARK	DATE	DESCRIPTION
△	12/20/22	OWNER VE CHANGES

ISSUE: 08/29/2022
 PROJECT NO: 22159
 CAD DWG FILE: SEE DRAWINGS
 DRAWN BY: MMS
 CHECKED BY: MMS

SHEET TITLE

**ROOF PLAN -
 PLUMBING**

1 **ROOF PLAN - PLUMBING**
 SCALE: 1/4" = 1'-0"

P1.4